



27-Bit, 3MHz-to-35MHz DC-Balanced LVDS Deserializer

MAX9218

General Description

The MAX9218 digital video serial-to-parallel converter deserializes a total of 27 bits during data and control phases. In the data phase, the LVDS serial input is converted to 18 bits of parallel video data and in the control phase, the input is converted to 9 bits of parallel control data. The separate video and control phases take advantage of video timing to reduce the serial data rate. The MAX9218 pairs with the MAX9217 serializer to form a complete digital video transmission system.

Proprietary data decoding reduces EMI and provides DC balance. The DC balance allows AC-coupling, providing isolation between the transmitting and receiving ends of the interface. The MAX9218 features a selectable rising or falling output latch edge.

ESD tolerance is specified for ISO 10605 with $\pm 10\text{kV}$ contact discharge and $\pm 30\text{kV}$ air discharge.

The MAX9218 operates from a +3.3V core supply and features a separate output supply for interfacing to 1.8V to 3.3V logic-level inputs. This device is available in 48-lead Thin QFN and TQFP packages and is specified from -40°C to $+85^\circ\text{C}$.

Applications

- Navigation System Display
- In-Vehicle Entertainment System
- Video Camera
- LCD Displays

Features

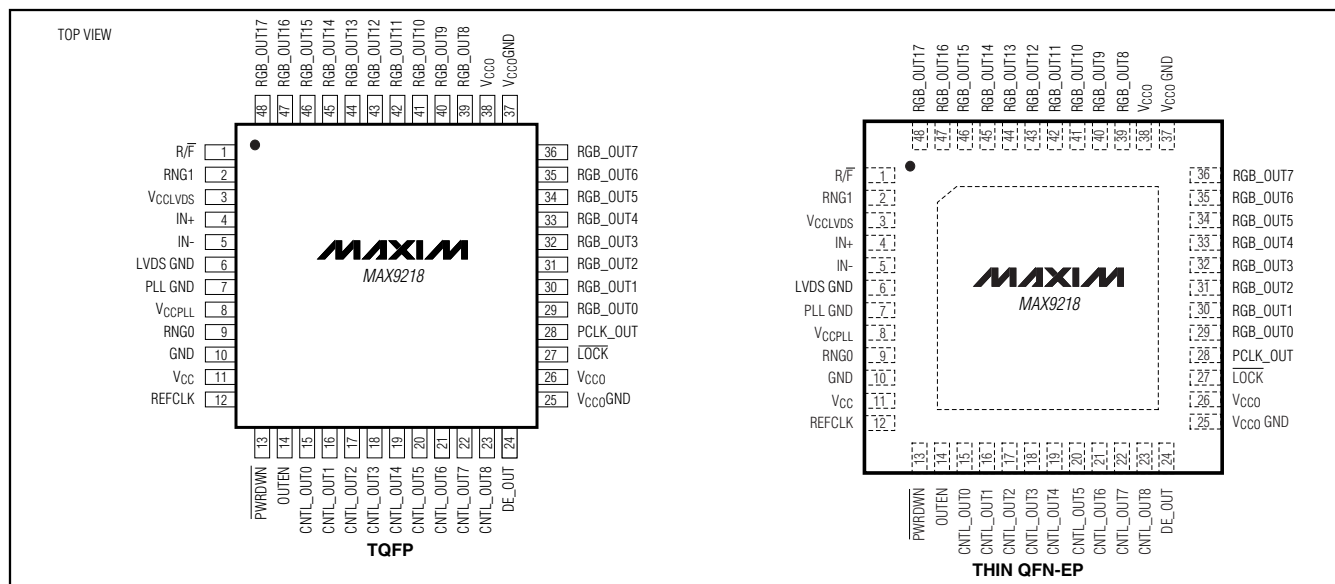
- ◆ Proprietary Data Decoding for DC Balance and Reduced EMI
- ◆ Control Data Deserialized During Video Blanking
- ◆ Five Control Data Inputs Are Single Bit-Error Tolerant
- ◆ Output Transition Time Is Scaled to Operating Frequency for Reduced EMI
- ◆ Staggered Output Switching Reduces EMI
- ◆ Output Enable Allows Busing of Outputs
- ◆ Clock Pulse Stretch on Lock
- ◆ Wide $\pm 2\%$ Reference Clock Tolerance
- ◆ Synchronizes to MAX9217 Serializer Without External Control
- ◆ ISO 10605 ESD Protection
- ◆ Separate Output Supply Allows Interface to 1.8V to 3.3V Logic
- ◆ +3.3V Core Power Supply
- ◆ Space-Saving Thin QFN and TQFP Packages
- ◆ -40°C to $+85^\circ\text{C}$ Operating Temperature

Ordering Information

PART	TEMP RANGE	PIN-PACKAGE	PKG CODE
MAX9218ECM	-40°C to $+85^\circ\text{C}$	48 TQFP	C48-5
MAX9218ETM	-40°C to $+85^\circ\text{C}$	48 Thin QFN-EP*	T4866-1

*EP = Exposed pad.

Pin Configurations



For pricing, delivery, and ordering information, please contact Maxim/Dallas Direct! at 1-888-629-4642, or visit Maxim's website at www.maxim-ic.com.

27-Bit, 3MHz-to-35MHz DC-Balanced LVDS Deserializer

ABSOLUTE MAXIMUM RATINGS

V _{CC_} to GND	-0.5V to +4.0V
Any Ground to Any Ground	-0.5V to +0.5V
IN+, IN- to LVDS GND	-0.5V to +4.0V
IN+, IN- Short Circuit to LVDS GND or V _{CC} LVDS	Continuous
(R/F, OUTEN, RNG_, REFCLK, PWRDWN) to GND	-0.5V to (V _{CC} + 0.5V)
(RGB_OUT[17:0], CNTL_OUT[8:0], DE_OUT, PCLK_OUT, LOCK) to V _{CCO} GND	-0.5V to (V _{CCO} + 0.5V)
Continuous Power Dissipation (T _A = +70°C)	
48-Lead Thin QFN (derate 37mW/°C above +70°C)	.2963mW
48-Lead TQFP (derate 20.8mW/°C above +70°C)1667mW

ESD Protection

Human Body Model (R _D = 1.5kΩ, C _S = 100pF)	
All Pins to GND	±3.0kV
ISO 10605 (R _D = 2kΩ, C _S = 330pF)	
Contact Discharge (IN+, IN-) to GND	±10kV
Air Discharge (IN+, IN-) to GND	±30kV
Storage Temperature Range	-65°C to +150°C
Junction Temperature	+150°C
Lead Temperature (soldering, 10s)	+300°C

Stresses beyond those listed under "Absolute Maximum Ratings" may cause permanent damage to the device. These are stress ratings only, and functional operation of the device at these or any other conditions beyond those indicated in the operational sections of the specifications is not implied. Exposure to absolute maximum rating conditions for extended periods may affect device reliability.

DC ELECTRICAL CHARACTERISTICS

(V_{CC_} = +3.0V to +3.6V, PWRDWN = high, differential input voltage |V_{ID}| = 0.05V to 1.2V, input common-mode voltage V_{CM} = |V_{ID}/2| to V_{CC} - |V_{ID}/2|, T_A = -40°C to +85°C, unless otherwise noted. Typical values are at V_{CC_} = +3.3V, |V_{ID}| = 0.2V, V_{CM} = 1.2V, T_A = +25°C.) (Notes 1, 2)

PARAMETER	SYMBOL	CONDITIONS	MIN	TYP	MAX	UNITS
SINGLE-ENDED INPUTS (R/F, OUTEN, RNG0, RNG1, REFCLK, PWRDWN)						
High-Level Input Voltage	V _{IH}		2.0		V _{CC} + 0.3	V
Low-Level Input Voltage	V _{IL}		-0.3		+0.8	V
Input Current	I _{IN}	V _{IN} = -0.3V to (V _{CC} + 0.3V), PWRDWN = high or low	-70		+70	μA
Input Clamp Voltage	V _{CL}	I _{CL} = -18mA			-1.5	V
SINGLE-ENDED OUTPUTS (RGB_OUT[17:0], CNTL_OUT[8:0], DE_OUT, PCLK_OUT, LOCK)						
High-Level Output Voltage	V _{OH}	I _{OH} = -100μA			V _{CCO} - 0.1	V
		I _{OH} = -2mA, RNG1, RNG0 = high			V _{CCO} - 0.35	
		I _{OH} = -2mA, RNG1, RNG0 both not high simultaneously			V _{CCO} - 0.4	
Low-Level Output Voltage	V _{OL}	I _{OL} = 100μA			0.1	V
		I _{OL} = 2mA, RNG1, RNG0 = high			0.3	
		I _{OL} = 2mA, RNG1, RNG0 both not high simultaneously			0.35	
High-Impedance Output Current	I _{OZ}	PWRDWN = low or OUTEN = low, V _O = -0.3V to V _{CCO} + 0.3V	-10		+10	μA

27-Bit, 3MHz-to-35MHz DC-Balanced LVDS Deserializer

MAX9218

DC ELECTRICAL CHARACTERISTICS (continued)

($V_{CC-} = +3.0V$ to $+3.6V$, $\overline{PWRDWN} = \text{high}$, differential input voltage $|V_{ID}| = 0.05V$ to $1.2V$, input common-mode voltage $V_{CM} = |V_{ID}/2|$ to $V_{CC-} - |V_{ID}/2|$, $T_A = -40^\circ C$ to $+85^\circ C$, unless otherwise noted. Typical values are at $V_{CC-} = +3.3V$, $|V_{ID}| = 0.2V$, $V_{CM} = 1.2V$, $T_A = +25^\circ C$.) (Notes 1, 2)

PARAMETER	SYMBOL	CONDITIONS	MIN	TYP	MAX	UNITS	
Output Short-Circuit Current	I_{OS}	RNG1, RNG0 = high, $V_O = 0$	-10		-50	mA	
		RNG1, RNG0 both not high simultaneously, $V_O = 0$	-7		-40		
LVDS INPUT (IN+, IN-)							
Differential Input High Threshold	V_{TH}				50	mV	
Differential Input Low Threshold	V_{TL}		-50			mV	
Input Current	I_{IN+}, I_{IN-}	$\overline{PWRDWN} = \text{high or low}$	-20		+20	μA	
Input Bias Resistor	R_{IB}	$\overline{PWRDWN} = \text{high or low}$	35	50	65	k Ω	
		$V_{CC-} = 0$ or open, $\overline{PWRDWN} = 0$ or open, Figure 1	35	50	65	k Ω	
Power-Off Input Current	I_{INO+}, I_{INO-}	$V_{CC-} = 0$ or open, $\overline{PWRDWN} = 0$ or open	-40		+40	μA	
POWER SUPPLY							
Worst-Case Supply Current	I_{CCW}	$C_L = 8pF$, worst-case pattern, Figure 2	RNG1 = low, RNG0 = low	3MHz		20	mA
				7MHz		35	
			RNG1 = high, RNG0 = low	7MHz		25	
				15MHz		47	
			RNG1 = high, RNG0 = high	15MHz		37	
35MHz		70					
Power-Down Supply Current	I_{CCZ}	(Note 3)			50	μA	

27-Bit, 3MHz-to-35MHz DC-Balanced LVDS Deserializer

AC ELECTRICAL CHARACTERISTICS

($V_{CC_}$ = +3.0V to 3.6V, C_L = 8pF, \overline{PWRDWN} = high, differential input voltage $|V_{ID}|$ = 0.1V to 1.2V, input common-mode voltage $V_{CM} = |V_{ID}/2|$ to $V_{CC_} - |V_{ID}/2|$, T_A = -40°C to +85°C, unless otherwise noted. Typical values are at $V_{CC_} = +3.3V$, $|V_{ID}| = 0.2V$, $V_{CM} = 1.2V$, $T_A = +25^\circ\text{C}$.) (Notes 4, 5)

PARAMETER	SYMBOL	CONDITIONS	MIN	TYP	MAX	UNITS
REFCLK TIMING REQUIREMENTS						
Period	t_T		28.57		333.00	ns
Frequency	f_{CLK}		3		35	MHz
Frequency Variation	Δf_{CLK}	REFCLK to serializer PCLK_IN	-2.0		+2.0	%
Duty Cycle	DC		40	50	60	%
Transition Time	t_{TRAN}	20% to 80%			6	ns
SWITCHING CHARACTERISTICS						
Output Rise Time	t_R	Figure 3	RNG1, RNG0 = high	3.2	4.4	ns
			RNG1, RNG0 both not high simultaneously	3.8	5.5	
Output Fall Time	t_F	Figure 3	RNG1, RNG0 = high	2.7	4.5	ns
			RNG1, RNG0 both not high simultaneously	3.6	5.3	
PCLK_OUT High Time	t_{HIGH}	Figure 4	$0.4 \times t_T$	$0.45 \times t_T$	$0.6 \times t_T$	ns
PCLK_OUT Low Time	t_{LOW}	Figure 4	$0.4 \times t_T$	$0.45 \times t_T$	$0.6 \times t_T$	ns
Data Valid Before PCLK_OUT	t_{DVB}	Figure 5	$0.35 \times t_T$	$0.4 \times t_T$		ns
Data Valid After PCLK_OUT	t_{DVA}	Figure 5	$0.35 \times t_T$	$0.4 \times t_T$		ns
Input-to-Output Delay	t_{DELAY}	Figure 6	$2.575 \times t_T + 8.5$	$2.725 \times t_T + 12.8$		ns
PLL Lock to REFCLK	t_{PLLREF}	Figure 7			$16385 \times t_T$	ns
Power-Down Delay	t_{PDD}	Figure 7			100	ns
Output Enable Time	t_{OE}	Figure 8			30	ns
Output Disable Time	t_{OZ}	Figure 9			30	ns

Note 1: Current into a pin is defined as positive. Current out of a pin is defined as negative. All voltages are referenced to ground except V_{TH} and V_{TL} .

Note 2: Maximum and minimum limits over temperature are guaranteed by design and characterization. Devices are production tested at $T_A = +25^\circ\text{C}$.

Note 3: All LVTTTL/LVCMOS inputs, except \overline{PWRDWN} at $\leq 0.3V$ or $\geq V_{CC} - 0.3V$. \overline{PWRDWN} is $\leq 0.3V$.

Note 4: AC parameters are guaranteed by design and characterization, and are not production tested. Limits are set at ± 6 sigma.

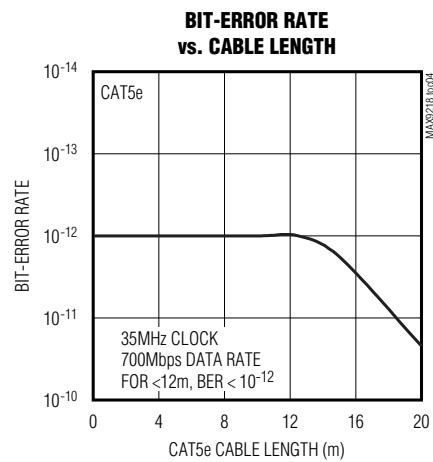
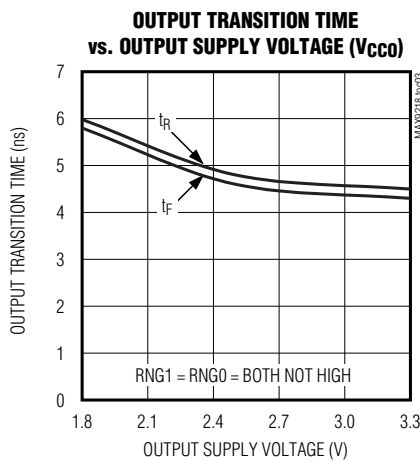
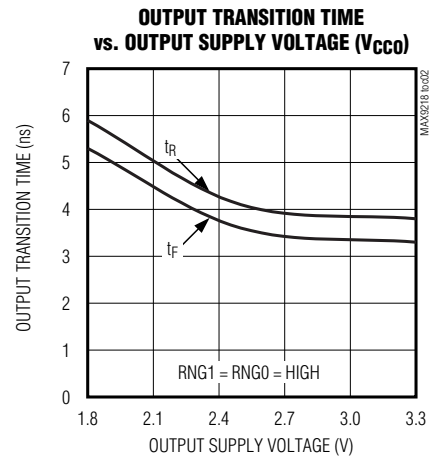
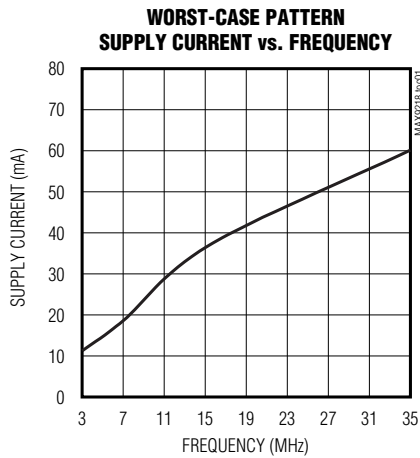
Note 5: C_L includes probe and test jig capacitance.

27-Bit, 3MHz-to-35MHz DC-Balanced LVDS Deserializer

MAX9218

Typical Operating Characteristics

($V_{CC-} = +3.3V$, $C_L = 8pF$, $T_A = +25^\circ C$, unless otherwise noted.)



27-Bit, 3MHz-to-35MHz DC-Balanced LVDS Deserializer

Pin Description

PIN	NAME	FUNCTION
1	R/ \bar{F}	Rising or Falling Latch Edge Select. LVTTTL/LVCMOS input. Selects the edge of PCLK_OUT for latching data into the next chip. Set R/ \bar{F} = high for a rising latch edge. Set R/ \bar{F} = low for a falling latch edge. Internally pulled down to GND.
2	RNG1	LVTTTL/LVCMOS Range Select Input. Set to the range that includes the serializer parallel clock input frequency. Internally pulled down to GND.
3	V _{CCLVDS}	LVDS Supply Voltage. Bypass to LVDS GND with 0.1 μ F and 0.001 μ F capacitors in parallel as close to the device as possible, with the smallest value capacitor closest to the supply pin.
4	IN+	Noninverting LVDS Serial Data Input
5	IN-	Inverting LVDS Serial Data Input
6	LVDS GND	LVDS Supply Ground
7	PLL GND	PLL Supply Ground
8	V _{CCPLL}	PLL Supply Voltage. Bypass to PLL GND with 0.1 μ F and 0.001 μ F capacitors in parallel as close to the device as possible, with the smallest value capacitor closest to the supply pin.
9	RNG0	LVTTTL/LVCMOS Range Select Input. Set to the range that includes the serializer parallel clock input frequency. Internal pulldown to GND.
10	GND	Digital Supply Ground
11	V _{CC}	Digital Supply Voltage. Supply for LVTTTL/LVCMOS inputs and digital circuits. Bypass to GND with 0.1 μ F and 0.001 μ F capacitors in parallel as close to the device as possible, with the smallest value capacitor closest to the supply pin.
12	REFCLK	LVTTTL/LVCMOS Reference Clock Input. Apply a reference clock that is within $\pm 2\%$ of the serializer PCLK_IN frequency. Internally pulled down to GND.
13	$\overline{\text{PWRDWN}}$	LVTTTL/LVCMOS Power-Down Input. Internally pulled down to GND.
14	OUTEN	LVTTTL/LVCMOS Output Enable Input. High activates the single-ended outputs. Driving low places the single-ended outputs in high impedance. Internally pulled down to GND.
15–23	CNTL_OUT [8:0]	LVTTTL/LVCMOS Control Data Outputs. CNTL_OUT[8:0] are latched into the next chip on the rising or falling edge of PCLK_OUT as selected by R/ \bar{F} when DE_OUT is low, and are held at the last state when DE_OUT is high.
24	DE_OUT	LVTTTL/LVCMOS Data Enable Output. High indicates RGB_OUT[17:0] are active. Low indicates CNTL_OUT[8:0] are active.
25, 37	V _{CCO} GND	Output Supply Ground
26, 38	V _{CCO}	Output Supply Voltage. Bypass to GND with 0.1 μ F and 0.001 μ F capacitors in parallel as close to the device as possible, with the smallest value capacitor closest to the supply pin.
27	$\overline{\text{LOCK}}$	LVTTTL/LVCMOS Lock Indicator Output. Outputs are valid when $\overline{\text{LOCK}}$ is low.
28	PCLK_OUT	LVTTTL/LVCMOS Parallel Clock Output. Latches data into the next chip on the edge selected by R/ \bar{F} .
29–36, 39–48	RGB_OUT [17:0]	LVTTTL/LVCMOS Red, Green, and Blue Digital Video Data Outputs. RGB_OUT[17:0] are latched into the next chip on the edge of PCLK_OUT selected by R/ \bar{F} when DE_OUT is high, and are held at the last state when DE_OUT is low.
EP	GND	Exposed Pad for Thin QFN Package Only. Connect to GND.

27-Bit, 3MHz-to-35MHz DC-Balanced LVDS Deserializer

Functional Diagram

MAX9218

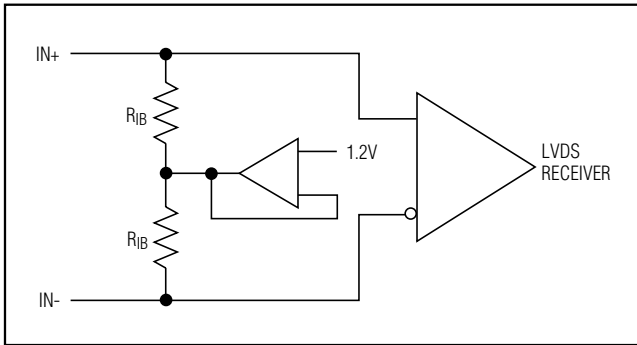
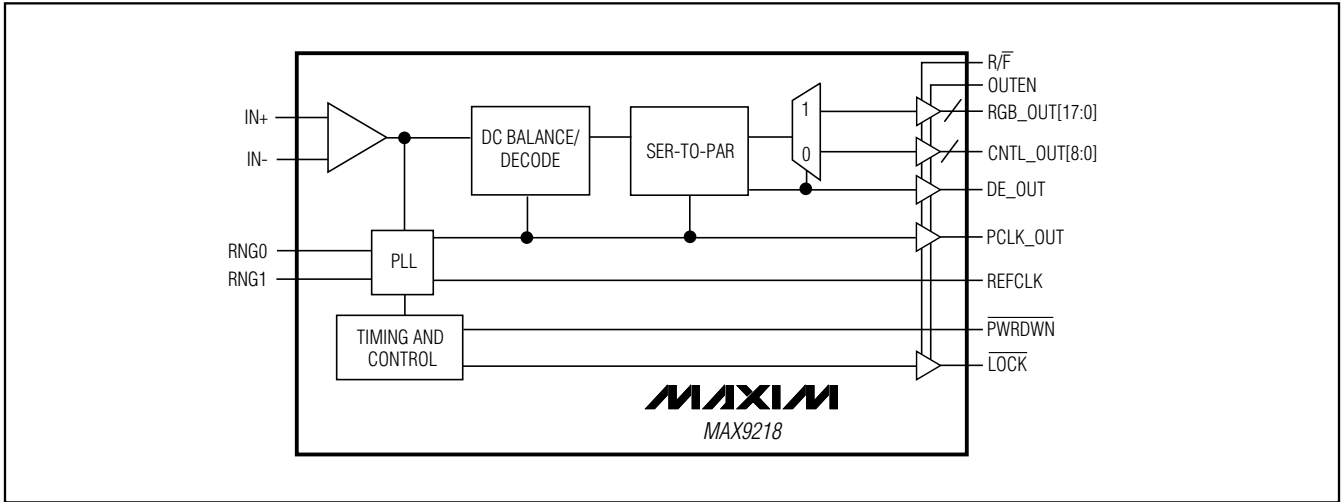


Figure 1. LVDS Input Bias

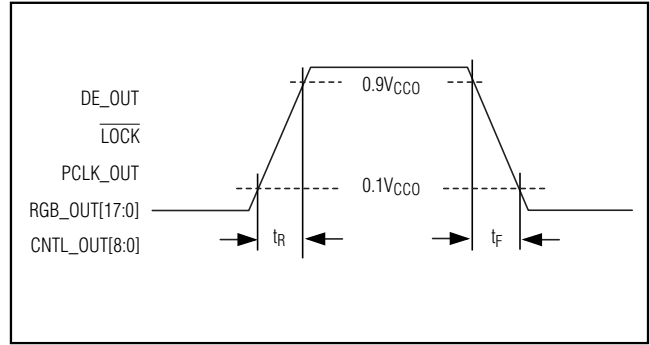


Figure 3. Output Rise and Fall Times

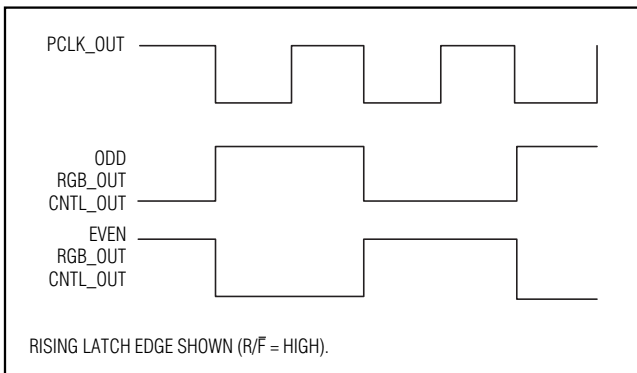


Figure 2. Worst-Case Output Pattern

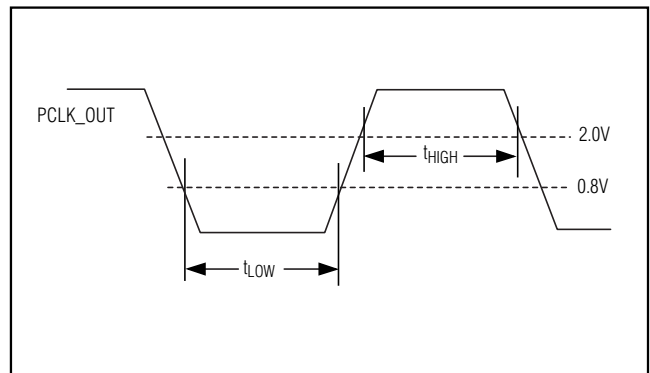


Figure 4. High and Low Times

27-Bit, 3MHz-to-35MHz DC-Balanced LVDS Deserializer

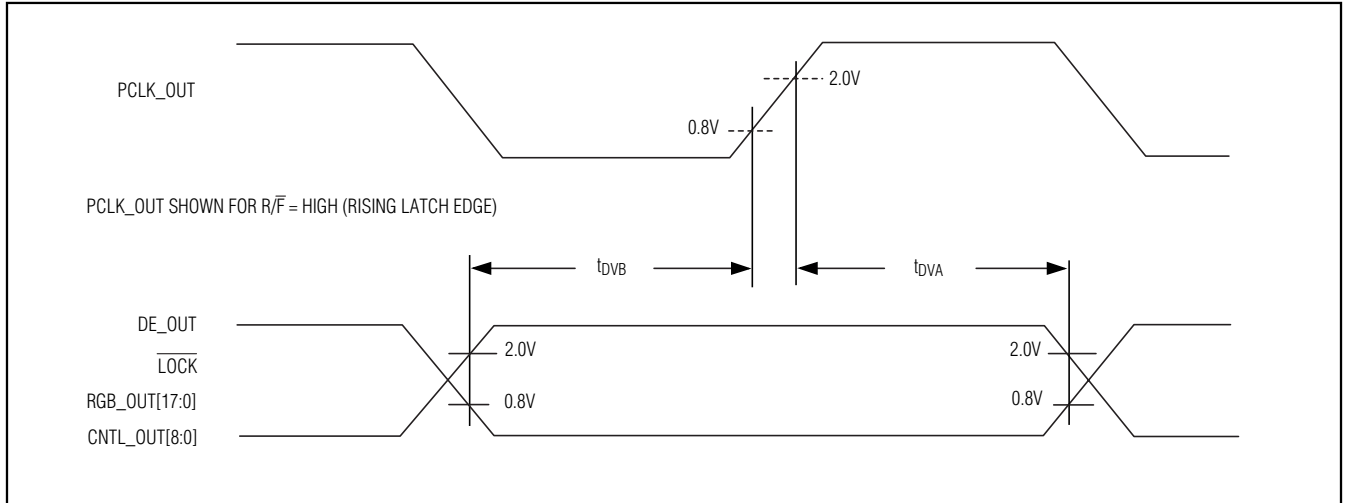


Figure 5. Synchronous Output Timing

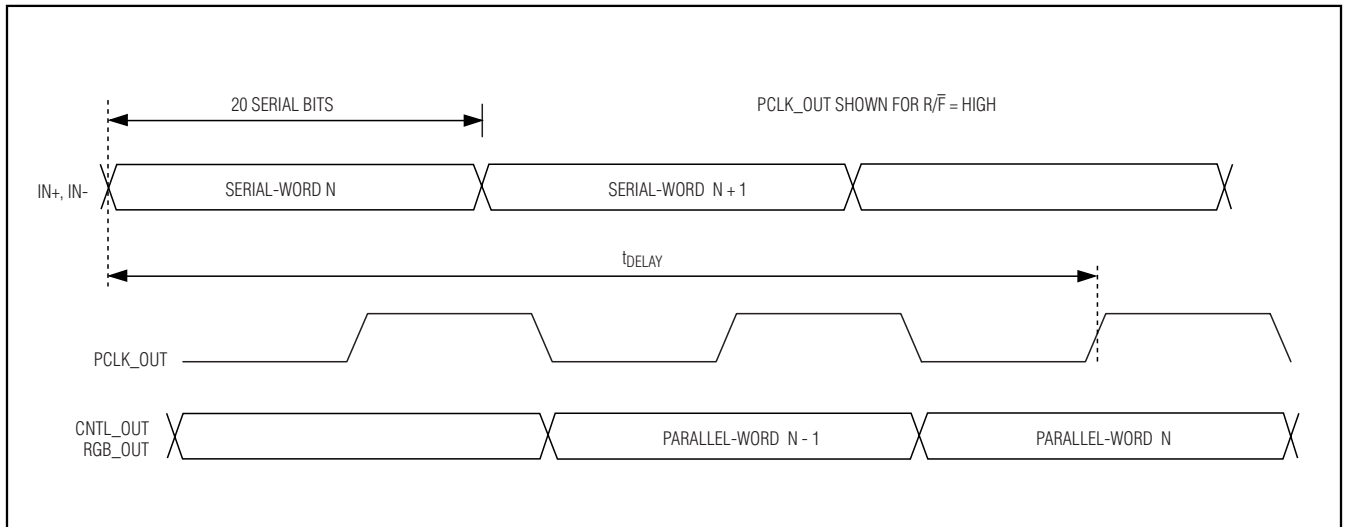


Figure 6. Deserializer Delay

27-Bit, 3MHz-to-35MHz DC-Balanced LVDS Deserializer

MAX9218

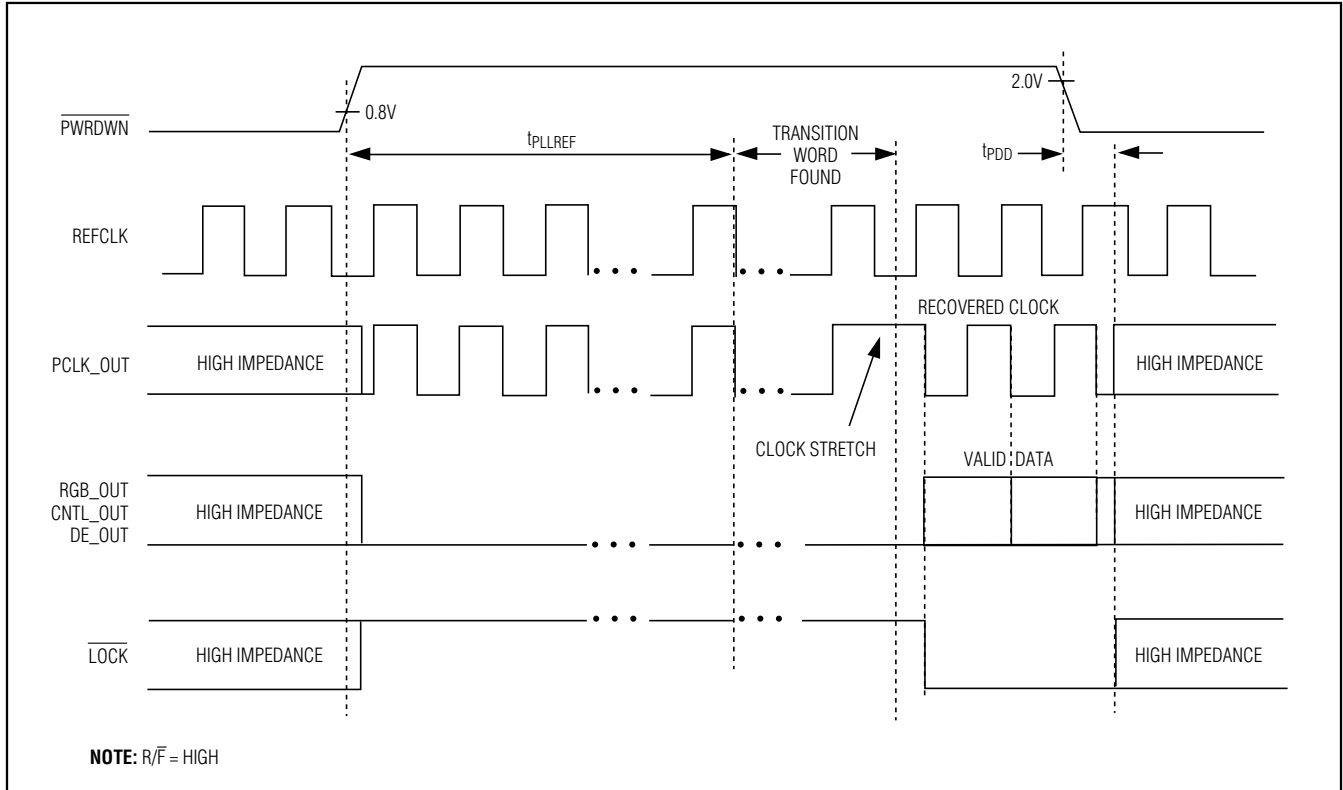


Figure 7. PLL Lock to REFCLK and Power-Down Delay

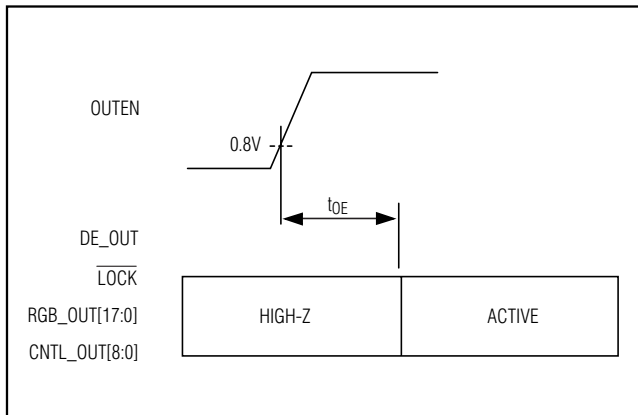


Figure 8. Output Enable Time

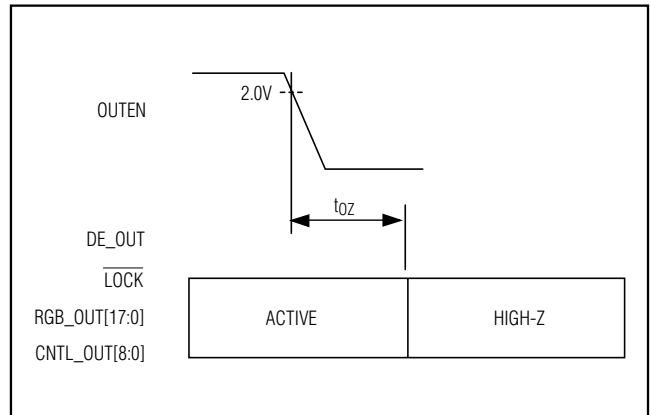


Figure 9. Output Disable Time

27-Bit, 3MHz-to-35MHz DC-Balanced LVDS Deserializer

Detailed Description

The MAX9218 DC-balanced deserializer operates at a parallel clock frequency of 3MHz to 35MHz, deserializing video data to the RGB_OUT[17:0] outputs when the data enable output DE_OUT is high, or control data to the CNTL_OUT[8:0] outputs when DE_OUT is low. The video phase words are decoded using 2 overhead bits, EN0 and EN1. Control phase words are decoded with 1 overhead bit, EN0. Encoding, performed by the MAX9217 serializer, reduces EMI and maintains DC balance across the serial cable. The serial input word formats are shown in Table 1 and Table 2.

Control data inputs C0 to C4, each repeated over 3 serial bit times by the serializer, are decoded using majority voting. Two or three bits at the same state determine the state of the recovered bit, providing single bit-error tolerance for C0 to C4. The state of C5 to C8 is determined by the level of the bit itself (no voting is used).

AC-Coupling Benefits

AC-coupling increases the input voltage of the LVDS receiver to the voltage rating of the capacitor. Two capacitors are sufficient for isolation, but four capacitors—two at the serializer output and two at the deserializer input—provide protection if either end of the cable is shorted to a high voltage. AC-coupling blocks low-frequency ground shifts and common-mode noise. The MAX9217 serializer can also be DC-coupled to the MAX9218 deserializer. Figure 10 is the AC-coupled serializer and deserializer with two capacitors per link, and Figure 11 is the AC-coupled serializer and deserializer with four capacitors per link.

Applications Information

Selection of AC-Coupling Capacitors

See Figure 12 for calculating the capacitor values for AC-coupling, depending on the parallel clock frequency. The plot shows capacitor values for two- and four-capacitor-per-link systems. For applications using less than 18MHz clock frequency, use 0.125μF capacitors.

Termination and Input Bias

The IN+ and IN- LVDS inputs are internally connected to +1.2V through 35kΩ (min) to provide biasing for AC-coupling (Figure 1). Assuming 100Ω interconnect, the LVDS input can be terminated with a 100Ω resistor. Match the termination to the differential impedance of the interconnect.

Use a Thevenin termination, providing 1.2V bias, on an AC-coupled link in noisy environments. For interconnect with 100Ω differential impedance, pull each LVDS line up to VCC with 130Ω and down to ground with 82Ω at the deserializer input (Figure 10 and Figure 11). This termination provides both differential and common-mode termination. The impedance of the Thevenin termination should be half the differential impedance of the interconnect and provide a bias voltage of 1.2V.

Table 1. Serial Video Phase Word Format

0	1	2	3	4	5	6	7	8	9	10	11	12	13	14	15	16	17	18	19
EN0	EN1	S0	S1	S2	S3	S4	S5	S6	S7	S8	S9	S10	S11	S12	S13	S14	S15	S16	S17

Bit 0 is the LSB and is deserialized first. EN[1:0] are encoding bits. S[17:0] are encoded symbols.

Table 2. Serial Control Phase Word Format

0	1	2	3	4	5	6	7	8	9	10	11	12	13	14	15	16	17	18	19
EN0	C0	C0	C0	C1	C1	C1	C2	C2	C2	C3	C3	C3	C4	C4	C4	C5	C6	C7	C8

Bit 0 is the LSB and is deserialized first. C[8:0] are the mapped control inputs.

27-Bit, 3MHz-to-35MHz DC-Balanced LVDS Deserializer

MAX9218

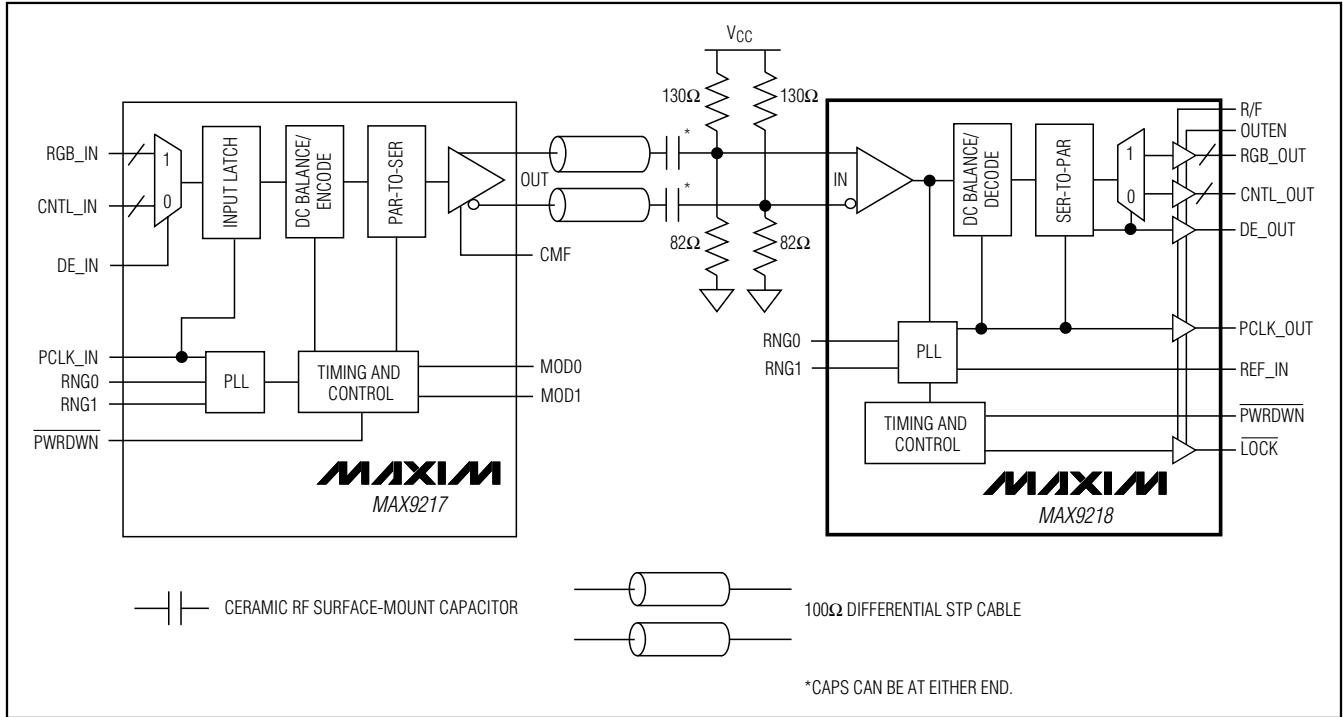


Figure 10. AC-Coupled Serializer and Deserializer with Two Capacitors per Link

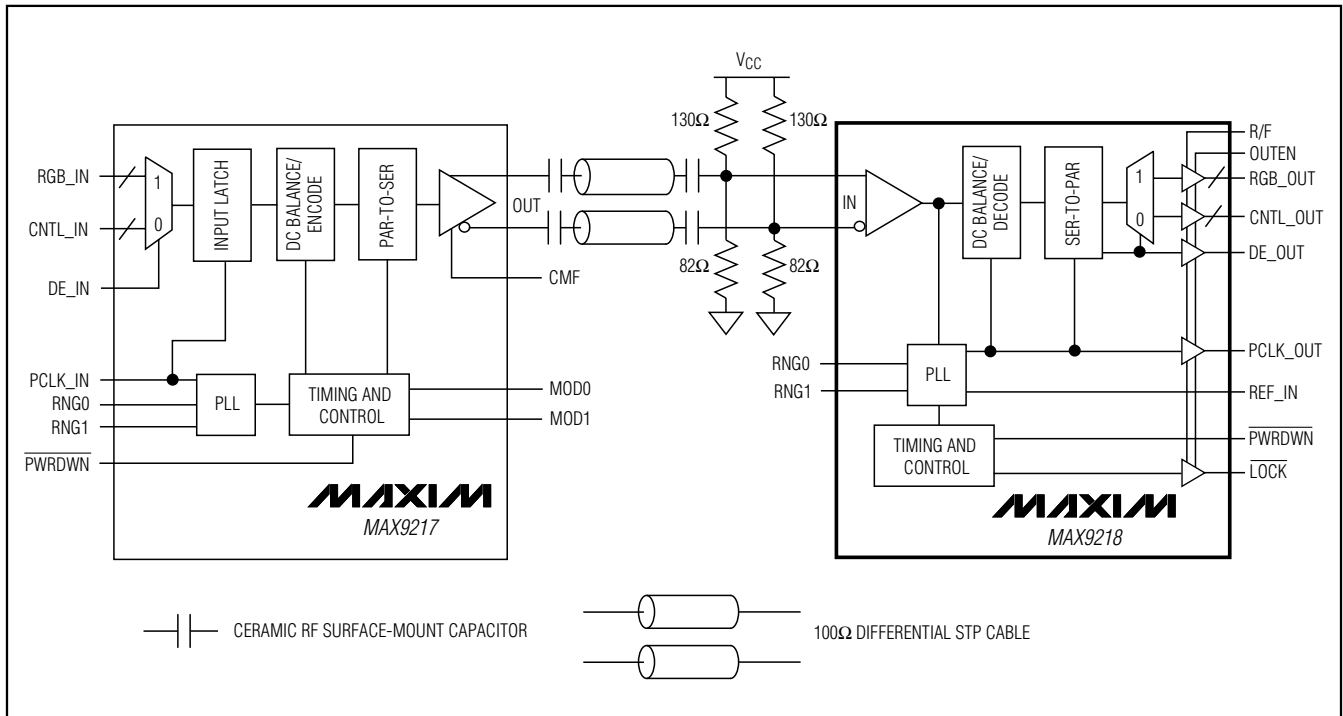


Figure 11. AC-Coupled Serializer and Deserializer with Four Capacitors per Link

27-Bit, 3MHz-to-35MHz DC-Balanced LVDS Deserializer

Input Frequency Detection

A frequency-detection circuit detects when the LVDS input is not switching. When not switching, all outputs except $\overline{\text{LOCK}}$ are low, $\overline{\text{LOCK}}$ is high, and PCLK_OUT follows REFCLK. This condition occurs, for example, if the serializer is not driving the interconnect or if the interconnect is open.

Frequency Range Setting (RNG[1:0])

The RNG[1:0] inputs select the operating frequency range of the MAX9218 and the transition time of the outputs. Select the frequency range that includes the MAX9217 serializer PCLK_IN frequency. Table 3 shows the selectable frequency ranges and the corresponding data rates and output transition times.

Power Down

Driving $\overline{\text{PWRDWN}}$ low puts the outputs in high impedance and stops the PLL. With $\overline{\text{PWRDWN}} \leq 0.3\text{V}$ and all LVTTTL/LVCMOS inputs $\leq 0.3\text{V}$ or $\geq V_{\text{CC}} - 0.3\text{V}$, the supply current is reduced to less than $50\mu\text{A}$. Driving $\overline{\text{PWRDWN}}$ high initiates lock to the local reference clock (REFCLK) and afterwards to the serial input.

Lock and Loss of Lock ($\overline{\text{LOCK}}$)

When $\overline{\text{PWRDWN}}$ is driven high, the PLL begins locking to REFCLK, drives $\overline{\text{LOCK}}$ from high impedance to high and the other outputs from high impedance to low except PCLK_OUT. PCLK_OUT outputs REFCLK while the PLL is locking to REFCLK. Locking to REFCLK takes a maximum of 16,385 REFCLK cycles. When locking to REFCLK is complete, the serial input is monitored for a transition word. When a transition word is found, $\overline{\text{LOCK}}$ is driven low indicating valid output data, and the parallel rate clock recovered from the serial input is output on PCLK_OUT. PCLK_OUT is stretched on the change from REFCLK to recovered clock (or vice versa).

Table 3. Frequency Range Programming

RNG1	RNG0	PARALLEL CLOCK (MHz)	SERIAL DATA RATE (Mbps)	OUTPUT TRANSITION TIME
0	0	3 to 7	60 to 140	Slow
0	1			
1	0	7 to 15	140 to 300	
1	1	15 to 35	300 to 700	Fast

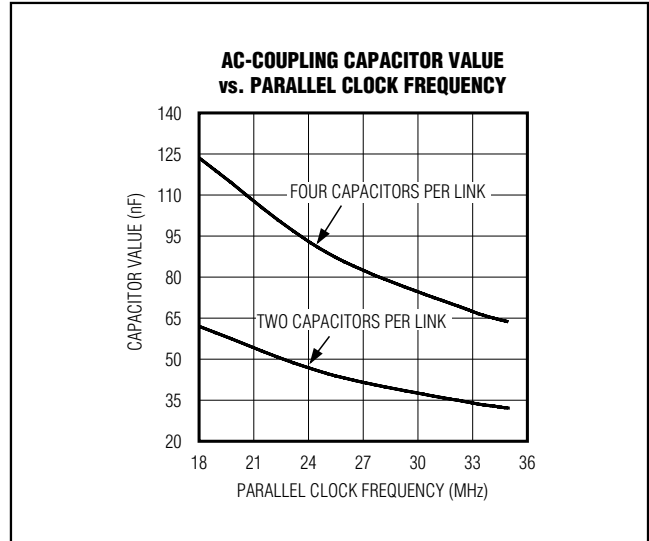


Figure 12. AC-Coupling Capacitor Values vs. Clock Frequency of 18MHz to 35MHz

If a transition word is not detected within 2^{20} cycles of PCLK_OUT, $\overline{\text{LOCK}}$ is driven high and the other outputs except PCLK_OUT are driven low. REFCLK is output on PCLK_OUT and the deserializer continues monitoring the serial input for a transition word. See Figure 7 for the synchronization timing diagram.

Output Enable (OUTEN) and Busing Outputs

The outputs of two MAX9218s can be bused to form a 2:1 mux with the outputs controlled by the output enable. Wait 30ns between disabling one deserializer (driving OUTEN low) and enabling the second one (driving OUTEN high) to avoid contention of the bused outputs. OUTEN controls all outputs.

Rising or Falling Output Latch Edge (R/F)

The MAX9218 has a selectable rising or falling output latch edge through a logic setting on R/F. Driving R/F high selects the rising output latch edge, which latches the parallel output data into the next chip on the rising edge of PCLK_OUT. Driving R/F low selects the falling output latch edge, which latches the parallel output data into the next chip on the falling edge of PCLK_OUT. The MAX9218 output-latch-edge polarity does not need to match the MAX9217 serializer input-latch-edge polarity. Select the latch-edge polarity required by the chip being driven by the MAX9218.

27-Bit, 3MHz-to-35MHz DC-Balanced LVDS Deserializer

Staggered and Transition Time Adjusted Outputs

RGB_OUT[17:0] are grouped into three groups of six, with each group switching about 1ns apart in the video phase to reduce EMI and ground bounce. CNTL_OUT[8:0] switch during the control phase. Output transition times are slower in the 3MHz-to-7MHz and 7MHz-to-15MHz ranges and faster in the 15MHz-to-35MHz range.

Data Enable Output (DE_OUT)

The MAX9218 deserializes video and control data at different times. Control data is deserialized during the video blanking time. DE_OUT high indicates that video data is being deserialized and output on RGB_OUT[17:0]. DE_OUT low indicates that control data is being deserialized and output on CNTL_OUT[8:0]. When outputs are not being updated, the last data received is latched on the outputs. Figure 13 shows the DE_OUT timing.

Power-Supply Circuits and Bypassing

There are separate on-chip power domains for digital circuits and LVTTTL/LVCMOS inputs (VCC supply and GND), outputs (VCCO supply and VCCO GND), PLL (VCCPLL supply and VCCPLL GND), and the LVDS input

(VCCLVDS supply and VCCLVDS GND). The grounds are isolated by diode connections. Bypass each VCC, VCCO, VCCPLL, and VCCLVDS pin with high-frequency, surface-mount ceramic 0.1μF and 0.001μF capacitors in parallel as close to the device as possible, with the smallest value capacitor closest to the supply pin. The outputs are powered from VCCO, which accepts a 1.71V to 3.6V supply, allowing direct interface to inputs with 1.8V to 3.3V logic levels.

Cables and Connectors

Interconnect for LVDS typically has a differential impedance of 100Ω. Use cables and connectors that have matched differential impedance to minimize impedance discontinuities.

Twisted-pair and shielded twisted-pair cables offer superior signal quality compared to ribbon cable and tend to generate less EMI due to magnetic field canceling effects. Balanced cables pick up noise as common mode, which is rejected by the LVDS receiver.

Board Layout

Separate the LVTTTL/LVCMOS outputs and LVDS inputs to prevent crosstalk. A four-layer PC board with separate layers for power, ground, and signals is recommended.

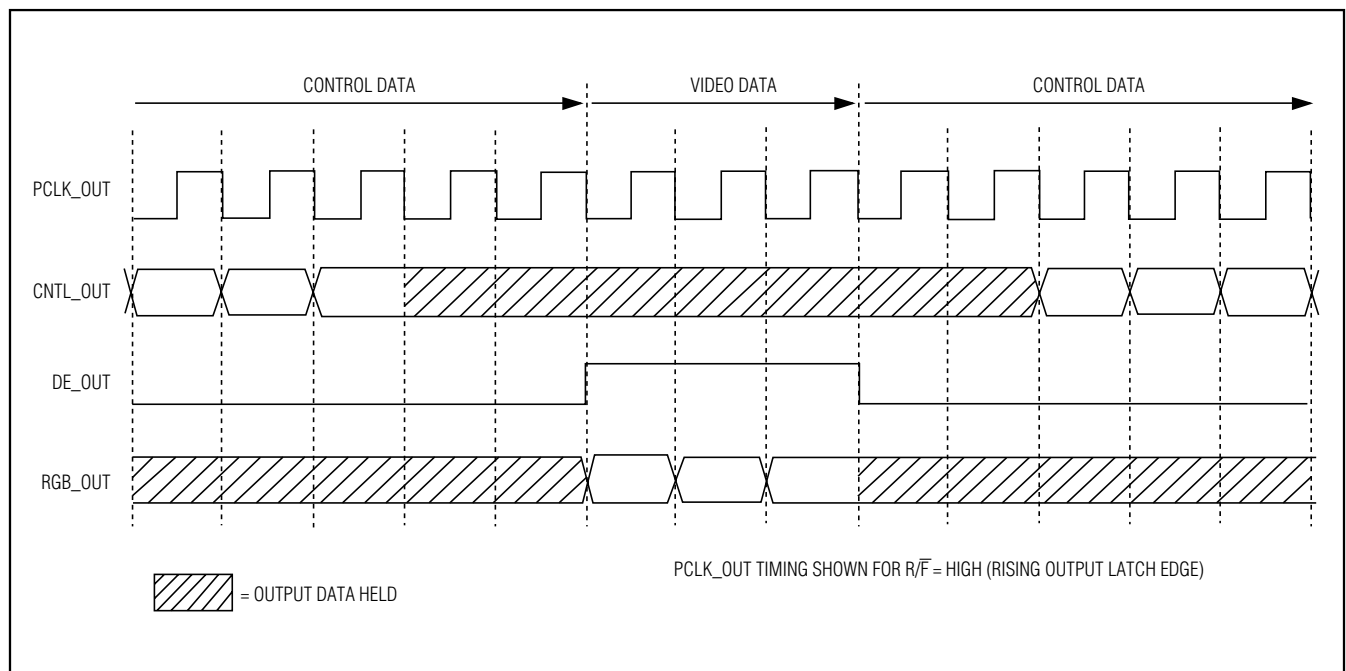


Figure 13. Output Timing

27-Bit, 3MHz-to-35MHz DC-Balanced LVDS Deserializer

ESD Protection

The MAX9218 ESD tolerance is rated for the Human Body Model and ISO 10605. ISO 10605 specifies ESD tolerance for electronic systems. The Human Body

Model discharge components are $C_S = 100\text{pF}$ and $R_D = 1.5\text{k}\Omega$ (Figure 14). The ISO 10605 discharge components are $C_S = 330\text{pF}$ and $R_D = 2\text{k}\Omega$ (Figure 15).

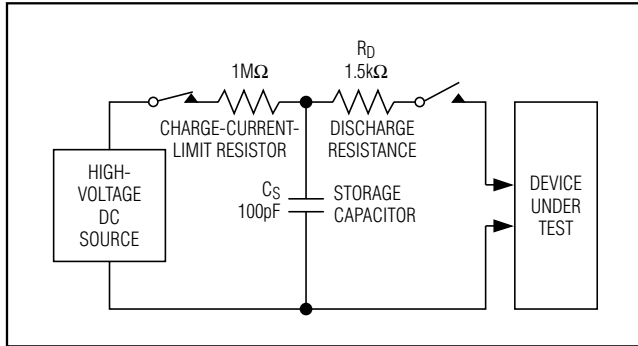


Figure 14. Human Body ESD Test Circuit

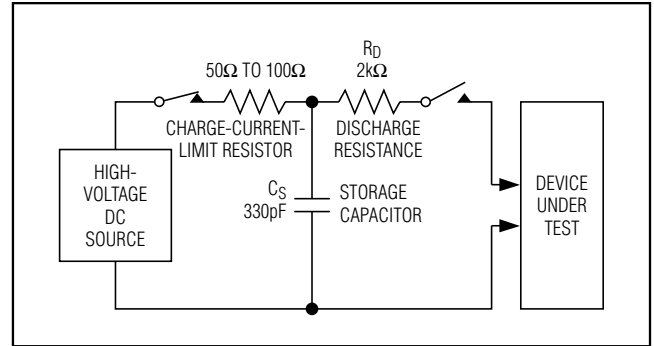


Figure 15. ISO 10605 Contact Discharge ESD Test Circuit

Chip Information

TRANSISTOR COUNT: 17,782

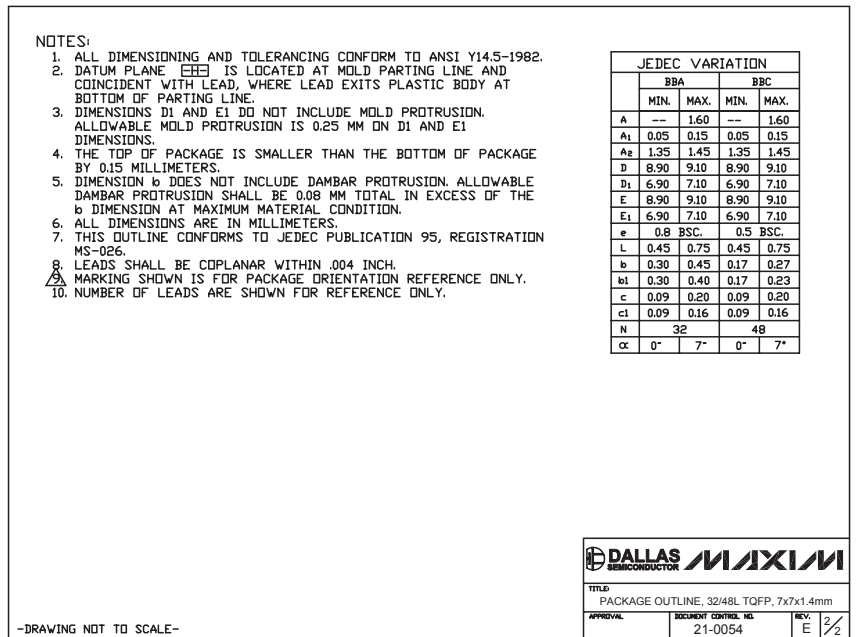
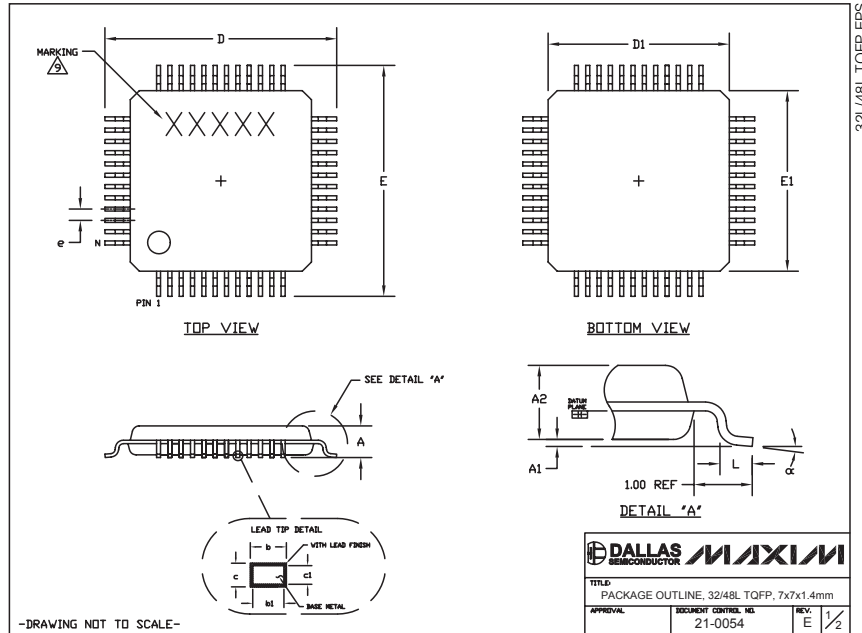
PROCESS: CMOS

27-Bit, 3MHz-to-35MHz DC-Balanced LVDS Deserializer

Package Information

(The package drawing(s) in this data sheet may not reflect the most current specifications. For the latest package outline information go to www.maxim-ic.com/packages.)

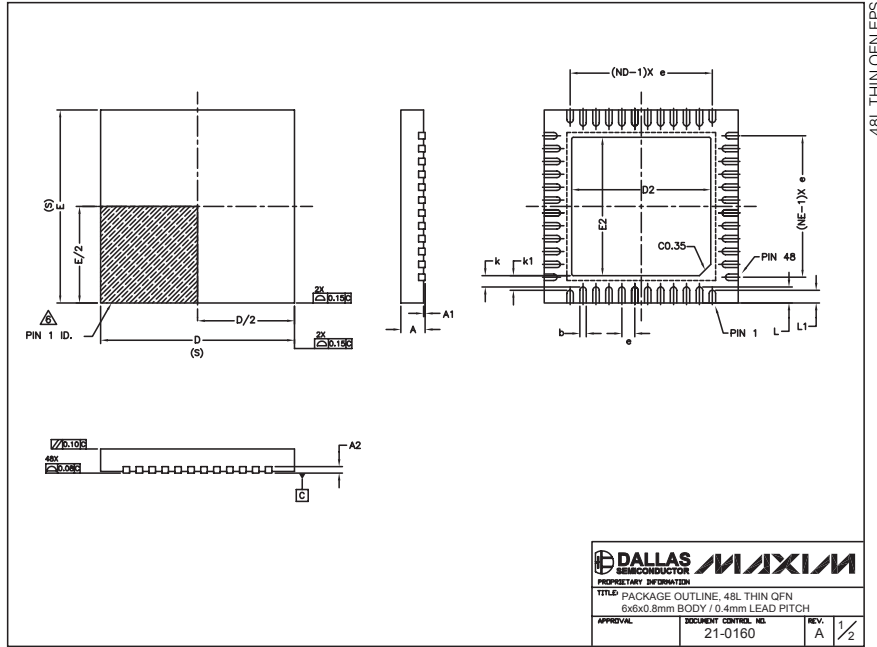
MAX9218



27-Bit, 3MHz-to-35MHz DC-Balanced LVDS Deserializer

Package Information (continued)

(The package drawing(s) in this data sheet may not reflect the most current specifications. For the latest package outline information go to www.maxim-ic.com/packages.)



NOTE:

1. ALL DIMENSIONS ARE IN mm. ANGLES IN DEGREES.
2. COPLANARITY APPLIES TO THE EXPOSED PAD AS WELL AS THE TERMINALS. COPLANARITY SHALL NOT EXCEED 0.08mm.
3. WARPAGE SHALL NOT EXCEED 0.10 mm.
4. PACKAGE LENGTH / PACKAGE WIDTH ARE CONSIDERED AS SPECIAL CHARACTERISTIC. (S)
5. REFER TO JEDEC MO-220.
- △ THE TERMINAL #1 IDENTIFIER AND TERMINAL NUMBERING CONVENTION SHALL CONFORM TO JESD 95-1 SPP-012. DETAILS OF TERMINAL #1 IDENTIFIER ARE OPTIONAL, BUT MUST BE LOCATED WITHIN THE ZONE INDICATED. THE TERMINAL #1 IDENTIFIER MAY BE EITHER A MOLD OR MARKED FEATURE.
7. ND AND NE REFER TO THE NUMBER OF TERMINALS ON EACH D AND E SIDE RESPECTIVELY.

COMMON DIMENSIONS			
SYMBOLS	MIN.	NOM.	MAX.
A	0.700	0.750	0.800
A1	0.000	--	0.050
A2	0.200 REF.		
b	0.150	0.200	0.250
D	5.900	6.000	6.100
e	0.400 TYP.		
E	5.900	6.000	6.050
k	0.250	0.350	0.450
k1	0.350	0.450	0.550
L	0.400	0.500	0.600
L1	0.300	0.400	0.500
N	48		
ND	12		
NE	12		

PKG. CODE	D2			E2		
	MIN.	NOM.	MAX.	MIN.	NOM.	MAX.
T4866-1	4.20	4.30	4.40	4.20	4.30	4.40

DALLAS SEMICONDUCTOR		MAXIM	
PROPRIETARY INFORMATION			
TITLE: PACKAGE OUTLINE, 48L THIN QFN 6x6x0.8mm BODY / 0.4mm LEAD PITCH			
APPROVAL	DOCUMENT CONTROL, NO.	REV.	
	21-0160	A	1/2

Maxim cannot assume responsibility for use of any circuitry other than circuitry entirely embodied in a Maxim product. No circuit patent licenses are implied. Maxim reserves the right to change the circuitry and specifications without notice at any time.

16 **Maxim Integrated Products, 120 San Gabriel Drive, Sunnyvale, CA 94086 408-737-7600**