

Low-Voltage / Wide Band Si Hyperabrupt Varactors

MA4ST300 Series
V4

Features

- Surface Mount Packages (SOT-23, SOT-323, SOD-323)
- High Capacitance Ratio at Low Voltages
- High Q at Low Voltages
- SPC Process for Superior C-V Repeatability
- Available as Single and Common Cathode Pairs
- Tape and Reel Packaging
- Designed for Commercial Wireless Applications

Description

The MA4ST300 series are ion-implanted, hyperabrupt junction, silicon tuning varactors in SOT-23, SOT-323, and SOD-323 surface mount packages. This series of varactors is designed for high capacitance ratio and low voltage operation. Each varactor type has a better than 3:1 capacitance ratio between 0.5V and 3.0V.

Applications

The MA4ST300 series tuning varactors are useful for wide band tuning and low phase noise applications where the supply voltage is limited to 5 volts or less. These varactors have been specifically designed to cover wireless application bands up to the 2.4 GHz WLAN band. Applications include VCOs and voltage tuned filters.

RoHs Compliant parts

Part Number	RoHs Compliant Part Number
MA4ST320	MAVR-000320
MA4ST330	MAVR-000330
MA4ST340	MAVR-000340
MA4ST350	MAVR-000350

Absolute Maximum Ratings @ T_A=+25 °C (Unless Otherwise Noted)¹

Parameter	Absolute Maximum
Reverse Voltage	12 V
Forward Current	50 mA
Total Power Dissipation	250 mW
Operating Temperature	-55 °C to +125 °C
Storage Temperature	-55 °C to +125 °C

1. Operation of this device above any one of these parameters may cause permanent damage.
2. Please refer to application note M538 for surface mounting instructions

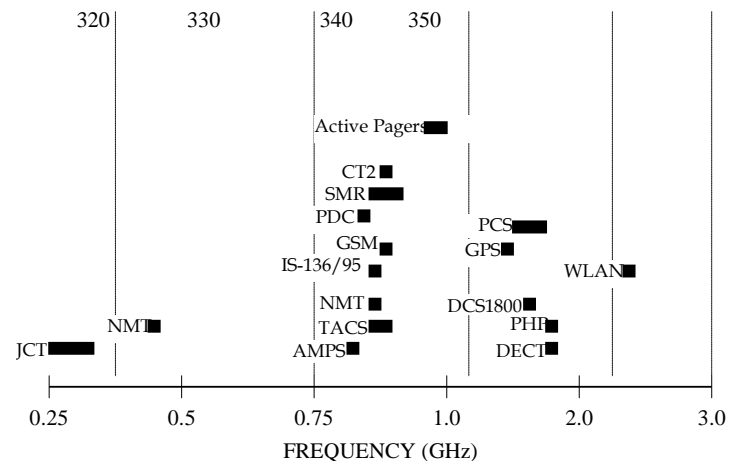


Fig. 1 Typical Device Selection by Frequency

Low-Voltage / Wide Band Si Hyperabrupt Varactors

MA4ST300 Series
V4

Electrical Specifications @ $T_A = +25\text{ }^\circ\text{C}$

Breakdown Voltage @ $I_R = 10\mu\text{A}$, $V_b = 12\text{ V}$ Minimum

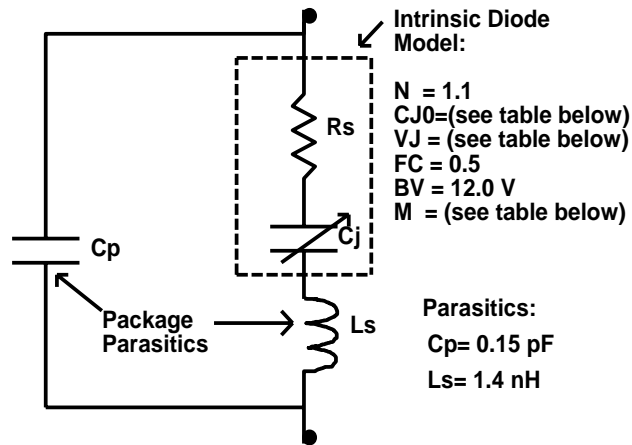
Reverse Leakage Current @ $V_R = 10\text{V}$, $I_R = 100\text{ nA}$ Maximum

Part Number Base	RoHs Compliant Part Number Base ¹	C_T^2				Capaci- tance Ratio	Q Factor
		(pF)			(pF)		
		f=1 MHz, $V_R=0.5\text{V}$			f=1MHz, $V_R=3.0\text{V}$	$C_{T0.5}/C_{T3.0}$	f=50 MHz, $V_R= 2.0\text{V}$
		Min.	Nom.	Max.	Max.	Typ.	Min.
MA4ST320	MAVR-000320-XXXXXX	48.0	58.0	63.0	19.0	3.2	300
MA4ST330	MAVR-000330-XXXXXX	22.0	26.0	30.0	9.0	3.2	350
MA4ST340	MAVR-000340-XXXXXX	15.0	18.5	21.0	6.5	3.2	350
MA4ST350	MAVR-000350-XXXXXX	9.5	11.8	13.5	4.5	3.2	400

¹ The prefix defines package style, configuration and packaging information. Contact representative for complete part identification.

² Capacitance @ 1 MHz

Spice Model



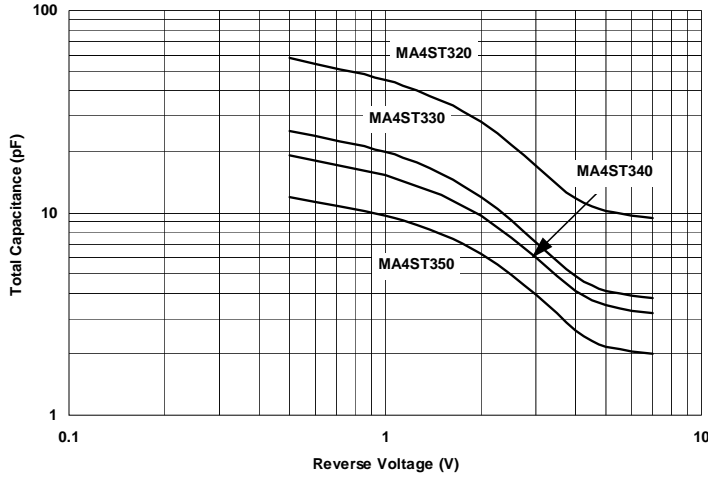
Part No.	CJ0 (pF)	VJ (V)	M
MA4ST320	77.4	11.71	6.51
MA4ST330	33.9	8.91	5.15
MA4ST340	25.3	14.25	7.41
MA4ST350	15.7	14.55	7.26

**Low-Voltage / Wide Band
Si Hyperabrupt Varactors**

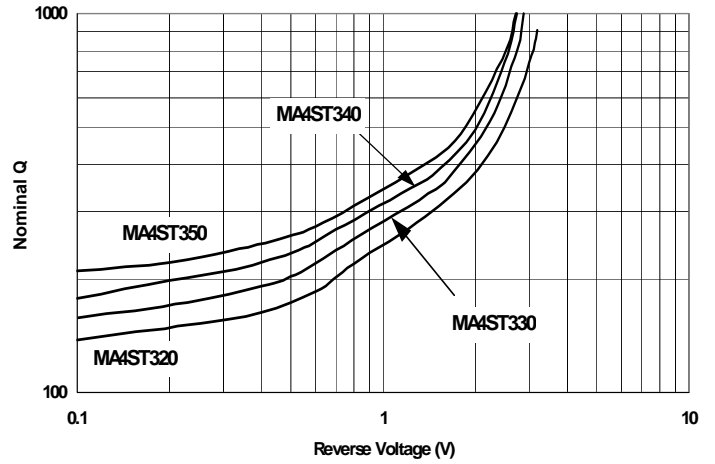
MA4ST300 Series
V4

Typical Performance Curves

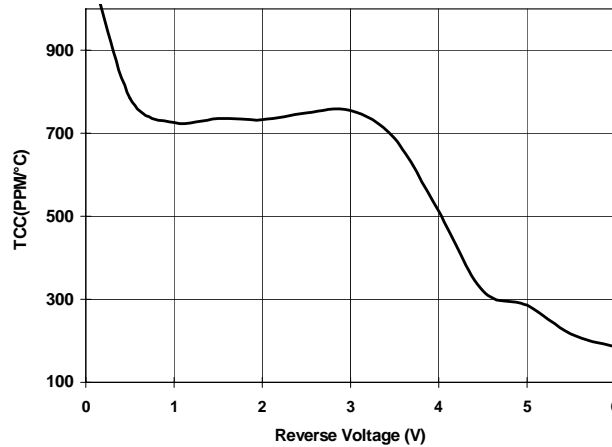
Total Capacitance vs. Reverse Voltage at 1 MHz



Nominal Q at 50 MHz vs. Reverse Voltage



Nominal Change in Capacitance with temperature



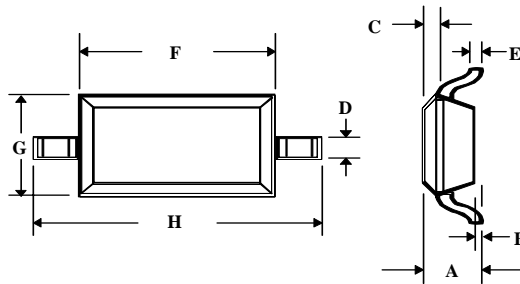
Low-Voltage / Wide Band Si Hyperabrupt Varactors

MA4ST300 Series
V4

Case Styles

SOD-323

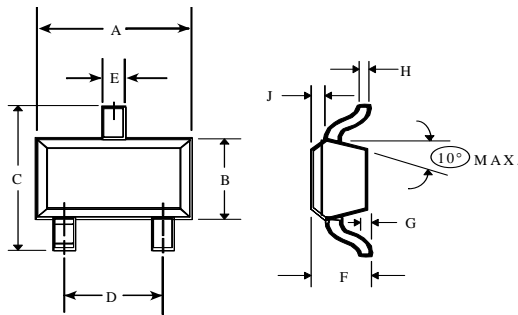
Case Style 1141



DIM.	INCHES		MILLIMETERS	
	MIN.	MAX.	MIN.	MAX.
A	—	0.043	—	1.1
B	—	0.004	—	0.1
C	—	0.008	—	0.2
D	0.010	0.016	0.25	0.4
E	0.003	0.006	0.08	0.15
F	0.063	0.075	1.6	1.9
G	0.045	0.057	1.15	1.45
H	0.091	0.106	2.3	2.7

SC-70, 3 Lead

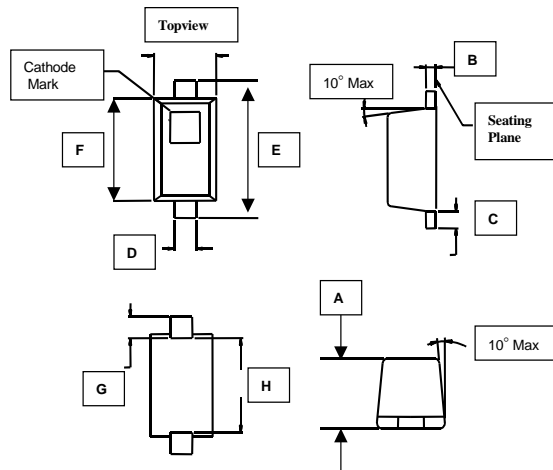
Case Style 1146



DIM.	INCHES		MILLIMETERS	
	MIN.	MAX.	MIN.	MAX.
A	0.071	0.087	1.80	2.20
B	0.045	0.053	1.15	1.35
C	0.071	0.094	1.80	2.40
D	0.047	0.057	1.19	1.45
E	0.010	0.016	0.25	0.41
F	0.031	0.039	0.80	1.00
G	0.000	0.004	0.00	0.10
H	0.004	0.007	0.10	0.18
J	0.004	0.010	0.10	0.25

SC-79

Case Style 1279



DIM.	INCHES		MILLIMETERS	
	MIN.	MAX.	MIN.	MAX.
A	0.020	0.028	0.50	0.71
B	0.003	0.008	0.08	0.20
C	0.006	0.010	0.15	0.25
D	0.010	0.014	0.25	0.36
E	0.059	0.067	0.08	0.15
F	0.043	0.051	1.50	1.30
G	0.011	0.012	0.28	0.30
H	0.037 typical	0.043	0.94	1.09

Low-Voltage / Wide Band Si Hyperabrupt Varactors

MA4ST300 Series
V4

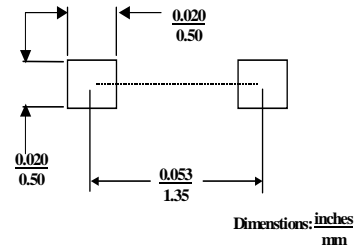
Mounting Information

The illustration indicates the recommended mounting pad configuration for the SC-79, SOT-323 and SOD-323 packages. Solder paste containing flux should be screened onto the pads to a thickness of 0.005- 0.007 inches. The plastic package is placed in position, firmly adhering to the solder paste.

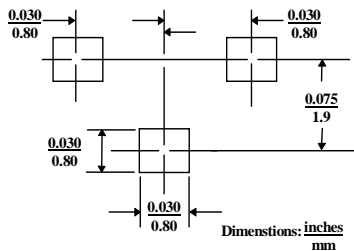
Permanent attachment is performed by a reflow soldering procedure during which the tab temperature does not exceed +275 °C and the body temperature does not exceed +250 °C, for standard models and +260 °C for the RoHS compliant devices.

Please refer to Application Note M538 for surface mounting instructions.

SC-79



SOT-323



SOD-323

