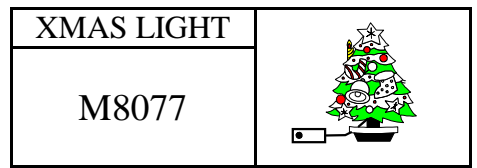


8 FUNCTIONS WITH MELODY
XMAS LIGHT CONTROL

8 功能單音音樂
聖誕燈串控制 IC



FEATURES 功能敘述

- 16 首歌 (可分四段).
- VOL
MELODY : 按鍵調節音量 : 大, 中, 小, 無 四段.
跑馬 (波浪): 按鍵調節速度二段.
- SEL : section select.
- 4 SCR outputs.

MODE	LIGHT	MELODY
1	全亮	靜音
2	跳燈	1~16 首歌連續唱
3	跳燈	1~4 首歌連續唱
4	跳燈	5~8 首歌連續唱
5	跳燈	9~12 首歌連續唱
6	跳燈	13~16 首歌連續唱
7	跑馬	靜音
8	波浪	靜音

APPLICATION 產品應用

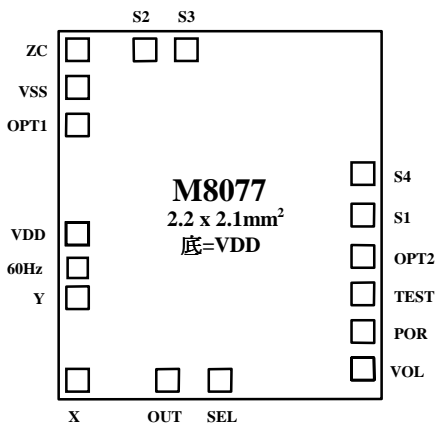
- Xmas light control etc..

ELECTRICAL CHARACTERISTICS 電氣規格

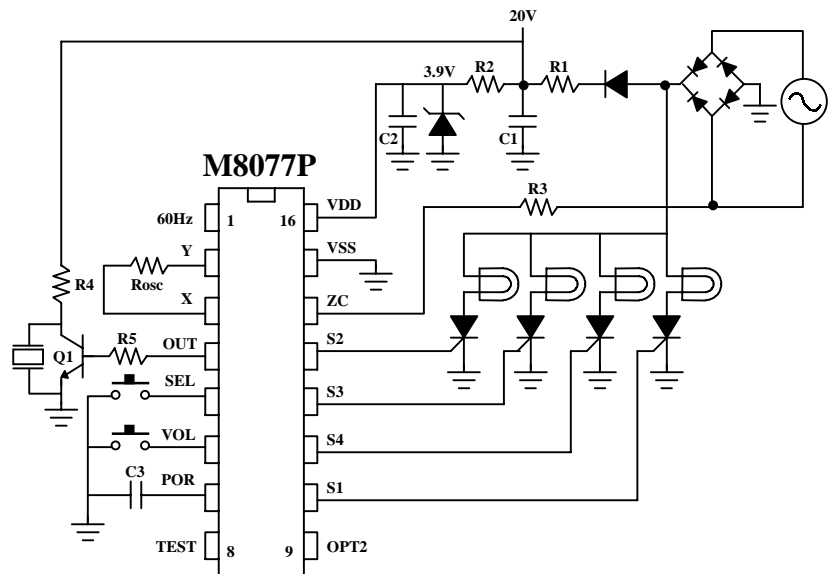
(@ $V_{DD}=3.9V$ unless otherwise specified)

Characteristics	Sym.	Min.	Typ.	Max.	Unit	REMARKS
工作電壓 Operating Voltage	V_{DD}	—	3.9	5	V	
工作電流 Operating Current	I_{OP}	—	—	2	mA	No load
推動電流 BZ Driving Current	I_{OH}	—	0.2	—	mA	@ $V_{DS}=1V$
振盪頻率 Oscillator Frequency	F_{OSC}	—	76	—	KHz	External $\pm 30\%$
工作溫度 Operating Temperature	Temp.	0	25	60	$^{\circ}C$	

APPLICATION DIAGRAM 參考電路圖



	110V	220V
R1	39K 1/2W	68K 1/2W
R2	10K	10K
R1R3	2M	2M
R4	10K	10K
R5	100K	100K
Rosc	390K	390K
C1	47 $\mu F/10V$	47 $\mu F/10V$
C2	100 $\mu F/10V$	100 $\mu F/10V$
C3	0.1 μF	0.1 μF



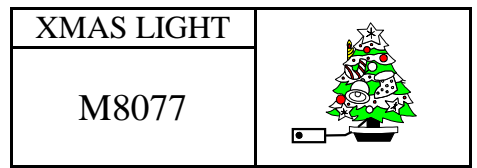
* All specs and applications shown above subject to change without prior notice.

(以上電路及規格僅供參考,本公司得逕行修正)



8 FUNCTIONS WITH MELODY
XMAS LIGHT CONTROL

8 功能單音音樂
聖誕燈串控制 IC



LIGHT FORMAT


	OP1	OP2	L1	L2	L3	L4
4 燈全亮			ON	ON	ON	ON
4 燈全不亮	VDD		OFF	OFF	OFF	OFF
1 燈跳燈		L3	ON			
2 燈跳燈		L3	ON OFF	OFF ON		
3 燈跳燈		L4	ON OFF OFF	OFF ON OFF	OFF OFF ON	

SONG LIST

- | | |
|------------------------------------|-----------------------------------|
| 1. JINGLE BELLS | 9. THE PEACE CAROL |
| 2. RUDOLPH, THE RED-NOSED REINDEER | 10. WHEN A CHILD IS BORN |
| 3. SANTA CLAUS IS COMING TO TOWN | 11. EION'S DAUGHTER |
| 4. LITTLE DRUMMER BOY | 12. AWAY IN A MANGER |
| 5. SILENT NIGHT | 13. ANGELS WE HAVE HEARD ON HIGH |
| 6. DECK THE HALLS | 14. WE WISH YOU A MERRY CHRISTMAS |
| 7. SILVER BELL | 15. O! COME ALL YE FAITHFUL |
| 8. O! TANNENBAUM | 16. HARK! THE HERALD ANGELS SING |

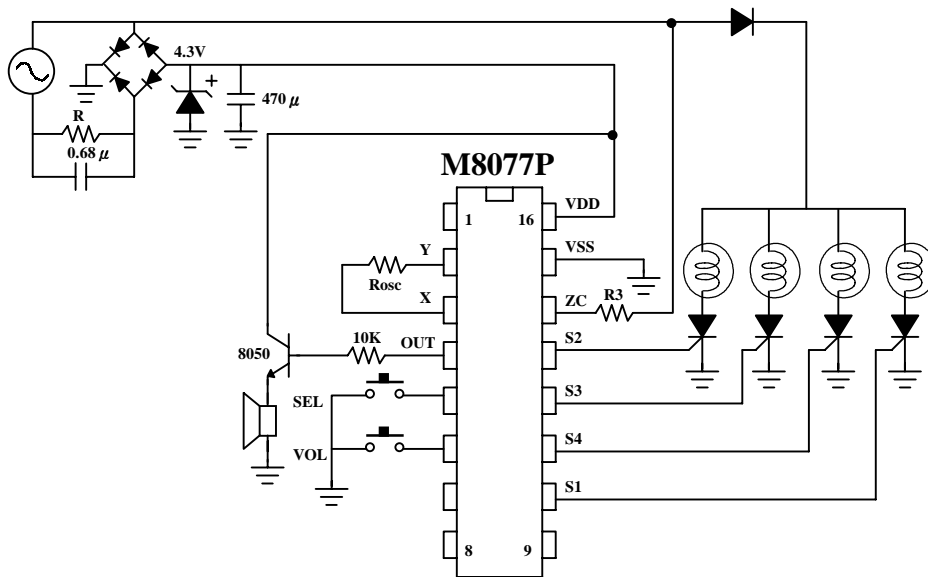
8 FUNCTIONS WITH MELODY
 XMAS LIGHT CONTROL

8 功能單音音樂
 聖誕燈串控制 IC

XMAS LIGHT	
M8077	

APPLICATION DIAGRAM 參考電路圖

SPEAKER



* All specs and applications shown above subject to change without prior notice.
 (以上電路及規格僅供參考,本公司得逕行修正)