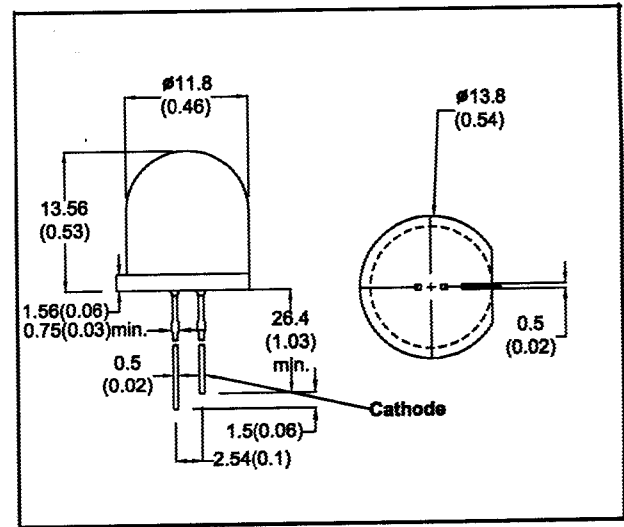


MICRO ELECTRONICS

M2GB120DA-3
**HIGH
 BRIGHTNESS
 GREEN LED LAMP**

DESCRIPTION

M2GB120DA-3 is high brightness output GaP green LED lamp encapsulated in a 12mm diameter large package, green diffused lens.



- All dimension in mm(inch)
- No Scale
- Tol. : +/-0.3mm

ABSOLUTE MAXIMUM RATINGS

Power Dissipation @ Ta=25°C
 Forward Current, DC (IF)
 Reverse Voltage
 Operating & Storage Temperature Range
 Lead Soldering Temperature (1/16" form body)

180mW
 60mA
 5V
 -55 to +100°C
 260°C for 5 sec.

ELECTRO-OPTICAL CHARACTERISTICS (Ta=25°C)

PARAMETER	SYMBOL	MIN	TYP	MAX	UNIT	CONDITIONS
Forward Voltage	VF		2.2	3.0	V	IF=40mA
Reverse Breakdown Voltage	BVR	5			V	IR=200μA
Luminous Intensity	IV	35	50			IF=40mA
Peak Wavelength	λp		570		nm	IF=40mA
Spectral Line Half Width	Δλ		30		nm	IF=40mA
Viewing Angle	2θ 1/2		66		degree	IF=40mA



MICRO ELECTRONICS LTD.

38, Hung To Road, Microtron Building, Kwun Tong, Kowloon, Hong Kong.
 Kwun Tong P.O. Box 69477 Hong Kong. Fax No. 2341 0321 Telex:43510 Micro Hx. Tel: 2343 0181-5