

**Features**

- Direct A-Law or  $\mu$ -Law PCM digital input
- 2.048 Mb/s clocking
- Operates with standard codecs for analog interfacing
- Microprocessor read/write interface
- Binary or 2-of-6 data formats
- Dual-channel
- 5 volt power

**Applications**

- Test equipment
- Trunk adapters
- Paging terminals
- Traffic recorders
- PBXs

**Description**

The M-986-2A1 dual channel MF Transceiver contains all the logic necessary to transmit and receive (North American) CCITT Region 1 multifrequency signals on one integrated circuit (IC).

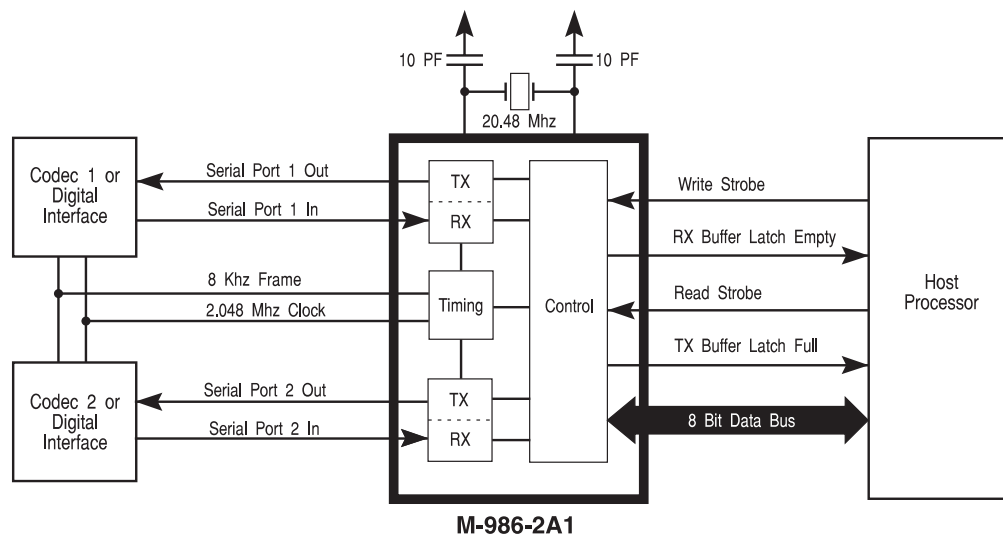
Operating with a 20.48 MHz crystal, the M-986 is capable of providing a direct digital interface to a m-law or A-law encoded PCM digital input. Each channel can be connected to an analog source using a coder-decoder (codec) as shown in the Block Diagram below.

The M-986 is configured and controlled through an integral coprocessor port.

**Ordering Information**

Part #	Description
M-986-2A1P	40-pin plastic DIP
M-986-2A1PL	44-pin PLCC

**Block Diagram**





## M-986-2A1

### Absolute Maximum Ratings Over Specified Temperature Range

Supply voltage range, $V_{CC}$	-0.3 V to 7 V
Input voltage range	-0.3 V to 15 V
Output voltage range	-0.3 V to 15 V
Ambient air temperature range	0° to 150°C
Storage temperature range	-45°C to 150°C

### Function Description

The M-986-2A1 can be set up for various modes of operation by writing two configuration bytes to the coprocessor port. The format of the two configuration bytes is shown in the Configuration Table on page 3 and the configuration options are described in the following paragraphs.

### Configuration Options

**External/Internal Codec Clock (ECLK):** If external codec clocking is selected, an external clocking source provides an 8 kHz transmit framing clock and an 8 kHz receive framing clock. It also provides a serial bit clock with a frequency that is a multiple of 8 kHz between 216 kHz and 2.496 MHz for exchange of data via the serial ports. When internal codec clocking is selected, the M-986-2A1 provides an 8 kHz framing clock and a 2.048 MHz serial bit clock.

**2 of 6/Binary Input/Output (IOM):** When the 2-of-6 input/output is selected, the M-986-2A1 encodes the received R1 MF tone pair into a 6-bit format, where each bit represents one of the six possible frequencies. A logic high level indicates the presence of a frequency. The digital input to the M-986-2A1 that selects the transmitted R1 MF tone pair must also be coded in the 2-of-6 format.

### Electrical Characteristics/Temperature Range

Parameter		Test Conditions	Min	Typ	Max	Unit
$I_{CC}$	Supply current	$f = 20.5 \text{ MHz}$ , $V_{CC} = 5.5 \text{ V}$ , $T_A = 0^\circ \text{ to } 70^\circ \text{ C}$		-	50	75 mA
$V_{OH}$	High-level output voltage	$I_{OH} = \text{MAX}$ $I_{OH} = 20 \mu\text{A}$		2.4	3	- V
				$V_{CC} - 0.4$	-	- V
$V_{OL}$	Low-level output voltage	$I_{OL} = \text{MAX}$		-	0.3	0.6 V
$I_{OZ}$	Off-state output current	$V_{CC} = \text{MAX}$	$V_O = 2.4 \text{ V}$	-	-	20 $\mu\text{A}$
			$V_O = 0.4 \text{ V}$	-	-	-20 $\mu\text{A}$
$I_I$	Input current	$V_I = V_{SS} \text{ to } V_{CC}$	Except CLKIN	-	-	$\pm 20 \mu\text{A}$
			CLKIN	-	-	$\pm 50 \mu\text{A}$
$C_I$	Input capacitance	Data bus	$f = 1 \text{ MHz}$ , all other pins 0 V	-	25	- pF
		All others		-	15	- pF
$C_O$	Output capacitance	Data bus		-	25	- pF
		All others		-	10	- pF

*Absolute Maximum Ratings are stress ratings. Stresses in excess of these ratings can cause permanent damage to the device. Functional operation of the device at these or any other conditions beyond those indicated in the operational sections of this data sheet is not implied. Exposure of the device to the absolute maximum ratings for an extended period may degrade the device and effect its reliability.*

When binary input/output is selected, the M-986-2A1 encodes the received R1 MF tone pair into a 4 bit binary format. The digital input to the M-986-2A1 that selects the transmitted R1 MF tone pair must also be coded in a 4 bit binary format.

**Enable/Disable Channel (ENC):** When a channel is disabled, the receiver does not process its codec input for R1 MF tones, and the transmitter does not respond to transmit commands. If a transmit command is given while the channel is enabled, the “tone off” command must be given before the channel is disabled. Disabling the channel does not automatically shut off the transmitter. When a channel is enabled, the receiver and transmitter for that channel function normally.

**Long/Short KP Tone Detection Time (KPL):** When long KP tone detection is selected, the minimum on time for the KP tone to be detected is 55 milliseconds. When short KP tone detection is selected, the minimum on time for the KP tone to be detected is 30 milliseconds (the same as the minimum on time for the rest of the MF tones).

**Enable MF Tone Detection After Reception of KP (KPEN):** When this feature is enabled, MF tone detection is enabled after reception of the KP tone, and disabled after reception of ST, ST1, ST2, or ST3 tones. When this feature is disabled, MF tone detection is always enabled. Select A or  $\mu$ -law input/output (AMU) for A-law encoding, this bit is set to a 1, for  $\mu$ -law encoding it is set to 0.

## Configuration

Configuration Byte 1							
Bit 7	Bit 6	Bit 5	Bit 4	Bit 3	Bit 2	Bit 1	Bit 0
0	0	ECLK	IOM	ENC1	KPL1	KPEN1	0
ECLK	Channels 1 & 2	1 = External codec clock; 0 = Internal codec clock					
IOM	Channels 1 & 2	1 = Binary input/output; 0 = 2-of-6 input/output					
ENC1	Channel 1	1 = Enable channel; 0 = Disable channel					
KPL1	Channel 1	1 = 55 ms detection time for KP; 0 = 30 ms detection time for KP					
KPEN1	Channel 1	1 = Enable MF tone detection after KP detection; 0 = MF tone detection always on					
Configuration Byte 2							
Bit 7	Bit 6	Bit 5	Bit 4	Bit 3	Bit 2	Bit 1	Bit 0
0	1	0	AMU	ENC2	KPL2	KPEN2	0
AMU	Channels 1 & 2	1 = A-law Encoding, 0 = m-law Encoding					
ENC2	Channel 2	1 = Enable channel; 0 = Disable channel					
KPL2	Channel 2	1 = 55 ms detection time for KP; 0 = 30 ms detection time for KP					
KPEN2	Channel 2	1 = Enable MF tone detection after KP detection; 0 = MF tone detection always					

Initial Configuration: The configuration of the M-986-2A1 immediately after a reset will be as follows:

- channel disabled
- 2-of-6 input/output
- external serial and serial frame clocks.

Also, the M-986-2A1 will place a 00 hex on the coprocessor port to indicate to the host processor that it is working.

### Transmit Tone Command

The transmit tone command allows the host processor to transmit any two of the 6 R1 MF frequencies. The format of the command depends on whether the M-986 is configured for binary format or 2-of-6 format.

### Received Tone Detection

When a tone is detected by the M-986, the TBLF output goes low, indicating reception of the tone to the host processor. The host processor can determine which tone was detected and which channel the tone was detected on by reading data from the M-986 coprocessor port. The M-986 will return a single byte indicating the tone received and the channel that the tone was received on. The format of the returned byte depends on whether the M-986 is configured for binary or 2-of-6 coding.

### Coprocessor Port

Commands are written to the M-986 via the coprocessor port, and data indicating the received R1 MF tone is read from the coprocessor port.

*Writing to the Coprocessor Port:* The following sequence describes writing a command to the M-986.

- (1) The WR signal is driven low by the host processor.
- (2) The RBLE (receive buffer latch empty) signal transitions to a logic high level.
- (3) Data is written from D7-D0 to the receive buffer latch (D7-D0) when the WR signal goes high.
- (4) The RBLE signal transitions to a logic low level after the M-986 reads the data. This signals the host processor that the receive buffer is empty.

**Note:** The RBLE should be low before writing to the coprocessor.

*Reading the Coprocessor Port:* The following sequence describes reading received tone information from the coprocessor port.

- (1) The TBLF (transmit buffer latch full) port pin on the M-986 goes low indicating the reception of a tone.
- (2) The host processor detects the low logic level on the TBLF pin either by polling a connected port pin or by an interrupt.
- (3) The host processor drives the RD signal low.
- (4) The TBLF (transmit buffer latch full) signal transition to a logic high level.



# M-986-2A1

(5) Data is driven onto D7-D0 by the M-986 until the RD signal is driven high by the host processor.

### Flammability/Reliability Specifications

Reliability: 185 FITS failures/billion hours  
Flammability: Passes UL 94 V-0 tests

### Clock Characteristics and Timing

*Internal Clock Option:* The internal oscillator is enabled by connecting a crystal across X1 and X2/CLKIN. The frequency of CLKOUT is one-fourth the crystal fundamental frequency. The crystal should be 20.48 MHz, fundamental mode, and parallel resonant, with an effective series resistance of 30 ohms, a power dissipation of 1 mW, and be specified at a load capacitance of 20 pF.

*External Clock Option:* An external frequency source can be used by injecting the frequency directly in X2/CLKIN with X1 left unconnected. The external frequency injected must conform to the specifications listed in External Frequency Specifications table on page 6.

### 2 of 6 Coding Format

Byte	Bit 7	Bit 6	Bit 5	Bit 4	Bit 3	Bit 2	Bit 1	Bit 0
Transmit tone command	1	CHN	F6	F5	F4	F3F2	F1	
Receive tone return	0	CHN	F6	F5	F4	F3F2	F1	

CHN: 1 = channel 2; 0 = channel 1  
**R1 MF Frequencies:**

Bit name	Frequency (Hz)	Bit name	Frequency (Hz)
F6	1700	F3	1100
F5	1500	F2	900
F4	1300	F1	700

### Binary Coding Format

Byte	Bit 7	Bit 6	Bit 5	Bit 4	Bit 3	Bit 2	Bit 1	Bit 0
Transmit tone command	1	CHN	0	0	A	B	C	D
Receive tone return	0	CHN	0	0	A	B	C	D

CHN: 1 = channel 2; 0 = channel 1  
**R1 MF Frequencies:**

ABCD	Frequencies (Hz)	Name	ABCD	Frequencies (Hz)	Name
0 0 0 0	Tone off	-	1 0 0 0	900 & 1500	Digit 8
0 0 0 1	700 & 900	Digit 1	1 0 0 1	1100 & 1500	Digit 9
0 0 1 0	700 & 1100	Digit 2	1 0 1 0	1300 & 1500	Digit 0
0 0 1 1	900 & 1100	Digit 3	1 0 1 1	700 & 1700	ST3
0 1 0 0	700 & 1300	Digit 4	1 1 0 0	900 & 1700	ST1
0 1 0 1	900 & 1300	Digit 5	1 1 0 1	1100 & 1700	KP
0 1 1 0	1100 & 1300	Digit 6	1 1 1 0	1300 & 1700	ST2
0 1 1 1	700 & 1500	Digit 7	1 1 1 1	1500 & 1700	ST

**Signal Description**

Signal	Pin	I/O/Z	Description
D15-D8	18-11	I/O/Z	Unused. Leave open.
D7-D0	19-26	I/O/Z	8-bit coprocessor latch.
TBLF	40	0	Transmit buffer latch full flag.
RBLE	1	0	Receive buffer latch empty flag.
HI/LO	2	I	Latch byte select pin. Tie low.
BIO	9	I	Unused. Leave open.
RD	32	I/O	Used by the external processor to read from the coprocessor latch by driving the RD line active (low), thus enabling the output latch to drive the latched data. When the data has been read, the external device must bring the RD line high.
EXINT	5	I	Unused. Leave open.
MC	3	I	Microcomputer mode select pin. Tie low.
MC/PM	27	I	Coprocessor mode select pin. Tie low.
RS	4	I	Reset input for initializing the device. When an active low is placed on RS pin for a minimum of five clock cycles, RD and WR are forced high, and the data bus (LD7 through LD0) goes to a high impedance state. The serial port clock and transmit outputs also go to the high impedance state.
WR	31	I/O	Used by the external processor to write data to the coprocessor port. To write data the external processor drives the WR line low, places data on the data bus, and then drives the WR line high to clock the data into the on-chip latch.
XF	28	0	Watchdog signal. Toggles at least once every 10 milliseconds when the processor is functioning properly. If the pin is not toggled at least once every 10 ms, the processor is lost and should be reset.
CLKOUT	6	0	System clock output (one-fourth crystal/CLKIN frequency, nominally 5.12 MHz).
V <sub>SS</sub>	10	I	Ground pin.
V <sub>CC</sub>	30	I	5V supply pin.
X1	7	0	Crystal output pin for internal oscillator. If the internal oscillator is not used, this pin should be left unconnected.
X2/CLKIN	8	I	Input pin to the internal oscillator (X2) from the crystal. Alternatively, an input pin for the external oscillator (CLKIN).
DR1 & DR0	33 & 29	I	Serial-port receive-channel inputs. 2.048 MHz serial data is received in the receive registers via these pins. DR0 = channel 1; DR1 = channel 2.
FR	37	0	8 kHz internal serial-port framing output. If internal clocking is selected, serial-port transmit and receive operations occur simultaneously on an active (high) FR framing pulse.
DX1 & DX0	36 & 35	0	Serial-port transmit-channel outputs. 2.048 MHz serial data is transmitted from the transmit registers on these pins. These outputs are in the high-impedance state when not transmitting. DX0 = channel 1; DX1 = channel 2.
FSR	39	I	8 kHz external serial-port receive-framing input. If external clocking is selected, data is received via the receive pins (DR1 and DR0) on the active (low) FSR input. The falling edge of FSR initiates the receive process, and the rising edge causes the M-986 to process the data.
SCLK	34	I/O/Z	2.048 MHz serial-port clock. Master clock for transmitting and receiving serial-port data. Configured as an input in external clocking mode or output in internal clocking mode. Reset (RS) forces SCLK to the high-impedance state.
FSX	38	I	8 kHz external serial-port transmit-framing input. If external clocking is enabled, data is transmitted on the transmit pins (DX1, DX0) on the active (low) input. The falling edge of FSX initiates the transmit process, and the rising edge causes the M-986 to internally load data for the next cycle.

**M-986-2A1****Serial Port Timing**

Parameter		Min	Nom	Max	Unit
$t_d$ (CH-FR)	Internal framing delay from SCLK rising edge	-	-	70	ns
$t_d$ (DX1-CL)	DX bit 1 valid before SCLK falling edge	20	-	-	ns
$t_d$ (DX2-CL)	DX bit 2 valid before SCLK falling edge	20	-	-	ns
$t_h$ (DX)	DX hold time after SCLK falling edge	244	-	-	ns
$t_{su}$ (DR)	DR setup time before SCLK falling edge	20	-	-	ns
$t_h$ (DR)	DR hold time after SCLK falling edge	20	-	-	ns
$t_c$ (SCLK)	Serial port clock cycle time	399	488.28	4770	ns
$t_f$ (SCLK)	Serial port clock fall time	-	-	30	ns
$t_r$ (SCLK)	Serial port clock rise time	-	-	30	ns
$t_w$ (SCLKL)	Serial port clock low-pulse duration*	220	244.14	2500	ns
$t_w$ (SCLKH)	Serial port clock high-pulse duration*	220	244.14	2500	ns
$t_{su}$ (FS)	FSX/FSR setup time before SCLK falling edge	100	-	-	ns

\* The duty cycle of the serial port clock must be within 45% to 55%.

**External Frequency Specifications**

Parameter		Min	Nom	Max	Unit
$t_c$ (MC)	Master clock cycle time	48.818	48.828	48.838	ns
$t_r$ (MC)	Rise time master clock input	-	5	10	ns
$t_f$ (MC)	Pulse duration master clock	20	-	-	ns

**Recommended Operating Conditions**

Parameter		Min	Nom	Max	Unit	
$V_{CC}$	Supply voltage	4.75	5	5.25	V	
$V_{SS}$	Supply voltage	-	0	-	V	
$V_{IH}$	High-level input voltage	All inputs except CLKIN	2	-	-	V
		CLKIN	3	-	-	V
		MC/PM	2.2	-	-	V
$V_{IL}$	Low-level input voltage	All inputs except MC/MP	-	-	0.8	V
		MC/MP	-	-	0.6	V
$I_{OH}$	High-level output current (all outputs)	-	-	-300	$\mu$ A	
$I_{OL}$	Low-level output current (all outputs)	-	-	2	mA	
$T_A$	Operating free-air temperature	0	-	70	$^{\circ}$ C	

### Coprocessor Interface Timing

Parameter		Min	Nom	Max	Unit
$t_d(R-A)$	RD low to $\overline{TBLF}$ high	-	-	75	ns
$t_d(W-A)$	WR low to $\overline{RBLE}$ high	-	-	75	ns
$t_a(RD)$	RD low to data valid	-	-	80	ns
$t_h(RD)$	Data hold time after $\overline{RD}$ high	25	-	-	ns
$t_{su}(WR)$	Data setup time prior to $\overline{WR}$ high	30	-	-	ns
$t_h(WR)$	Data hold time after $\overline{WR}$ high	25	-	-	ns
$t_w(RDL)$	$\overline{RD}$ low-pulse duration	80	-	-	ns
$t_w(WRL)$	$\overline{WR}$ low-pulse duration	60	-	-	ns
$t_w(RBLE)$	$\overline{RBLE}\uparrow$ to $\overline{RBLE}\downarrow$	-	-	1	ms

### Reset (RS) Timing

Parameter		Test Conditions	Min	Max	Unit
$t_{dis}(R)$	Data bus disable time after $\overline{RS}$	$R_L = 825 \Omega$ $C_L = 100 \text{ pF}$	-	75	ns
$t_{d12}$	Delay time from $\overline{RS}\downarrow$ to high-impedance SCLK		-	200	ns
$t_{d13}$	Delay time from $\overline{RS}\downarrow$ to high-impedance DX1, DX0		-	200	ns
$t_{su}(R)$	Reset (RS) setup time prior to CLKOUT		50	-	ns
$t_w(R)$	RS pulse duration		245	-	ns

### CLKOUT Timing Parameters

Parameter		Test Conditions	Min	Nom	Max	Unit
$t_{c(C)}$	CLKOUT cycle time	$R_L = 825 \Omega$ $C_L = 100 \text{ pF}$	195.27	195.31	195.35	ns
$t_{r(C)}$	CLKOUT rise time		-	10	-	ns
$t_{f(C)}$	CLKOUT fall time		-	8	-	ns
$t_{d(MCC)}$	Delay time $\text{CLKIN}\uparrow$ to $\text{CLKOUT}\downarrow$		25	-	60	ns
$t_{d8}$	Delay time $\text{CLKOUT}\downarrow$ to data bus OUT valid		-	-	$1/4t_{c(C)}+75$	ns

### Transmitter Characteristics

Parameter		Test Conditions	Min	Typ	Max	Unit
$F_{OS}$	Frequency offset	From nominal	-	-	$\pm 1$	Hz
TW	Twist	High/low	-	-	$\pm 0.5$	dB
$A_S$	Signal amplitude	Per component	-7.40	-7.00	-6.60	dBm0
$T_S$	Time skew	Between components	-	-	0	ms
$P_{hi}$	Power due to extraneous components	-	-	-	-30	dB

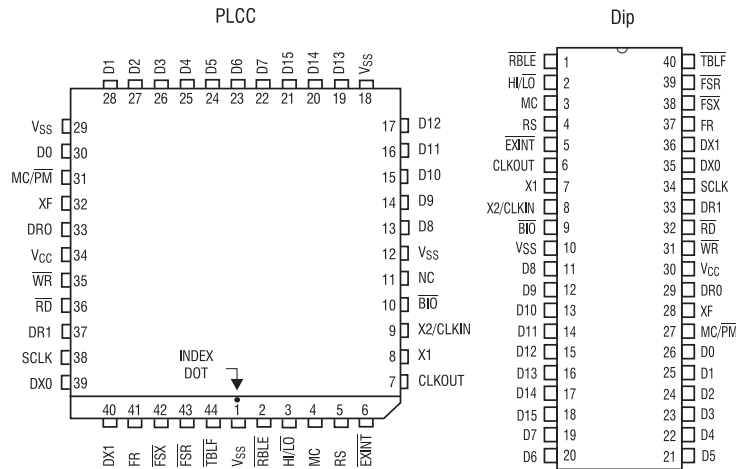


# M-986-2A1

## Receiver Characteristics

	Parameter	Test Conditions	Min	Max	Unit
$A_d$	Detect amplitude	Per frequency	-30	-5	dBm0
$A_{nd}$	No-detect amplitude	Per frequency	-40	-30	dBm0
$F_d$	Detect with frequency offset	From nominal	$\pm 1.5\%$ +5Hz	-	Hz
$TW_d$	Detect with twist	High tone/low tone	$\pm 6$	-	dB
$T_{on}$	Tone time	Reject	10	-	ms
$T_{int}$	Interrupted tone time	Reject	10	-	ms
$T_i$	Tone interpulse time	-	25	-	ms
$KPL_d$	KP long tone detect timeLong detect time	enabled	55	-	ms
$KP_d$	KP short tone detect timeLong detect time	disabled	30	-	ms
$T_d$	Tone detect time	-	30	-	ms
$N_t$	Noise tolerance	$\leq 1$ error in 25,000 digits	-	-20	dB
$N_i$	Impulse noise	$\leq 1$ error in 25,000 digits	-	-12	dB
$P_{60}$	60 Hz tolerance	$\leq 1$ error in 25,000 digits	-	81	dBrnc0
$T_{180}$	180 Hz tolerance	$\leq 1$ error in 25,000 digits	-	68	dBrnc0
$M_t$	Modulation products tolerance	2A-B and 2B-A products	-	-28	dB

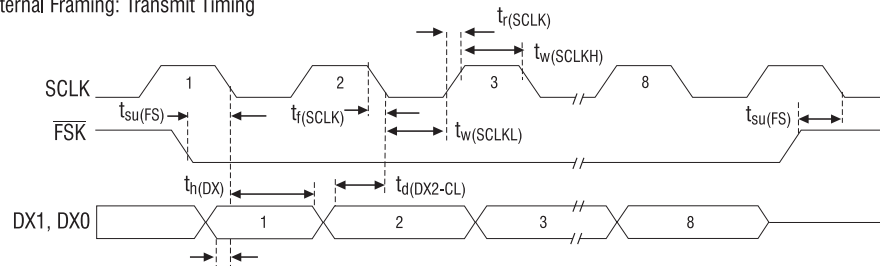
## Pin Assignments





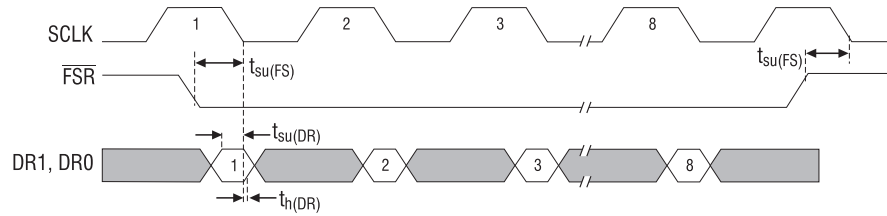
## External Framing Timing Diagrams

External Framing: Transmit Timing



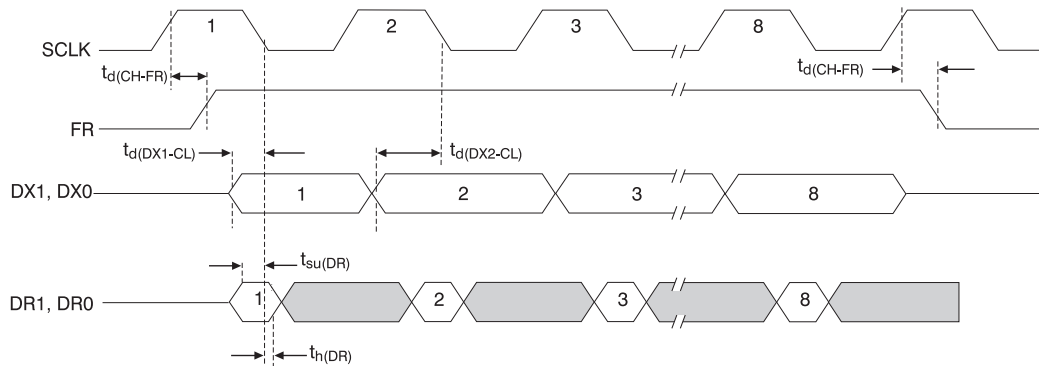
NOTES: Data valid on transmit outputs until SCLK rises.  
The most significant bit is shifted first.

External Framing: Receive Timing



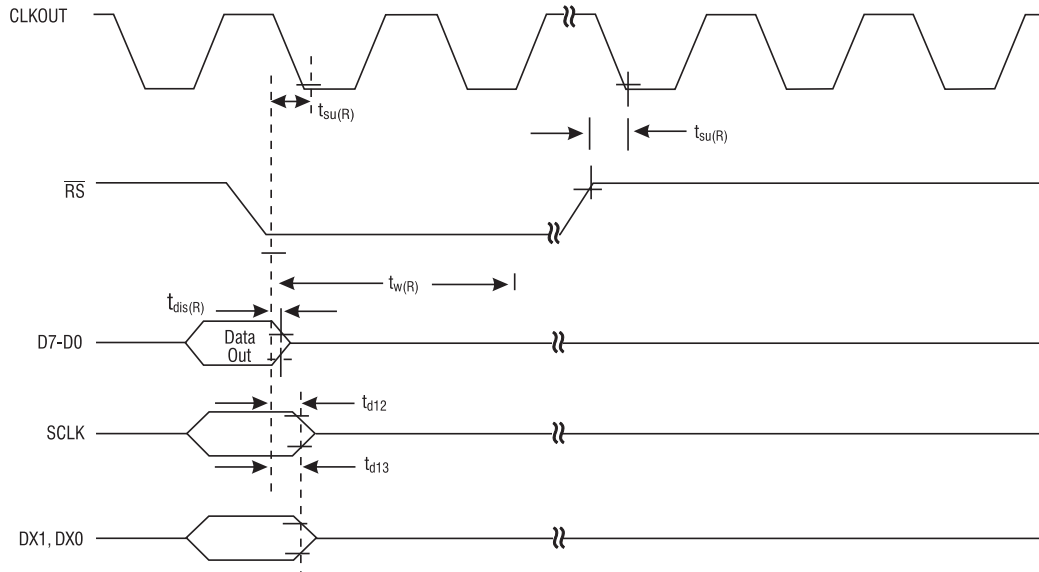
## Internal Framing Timing

Internal Framing

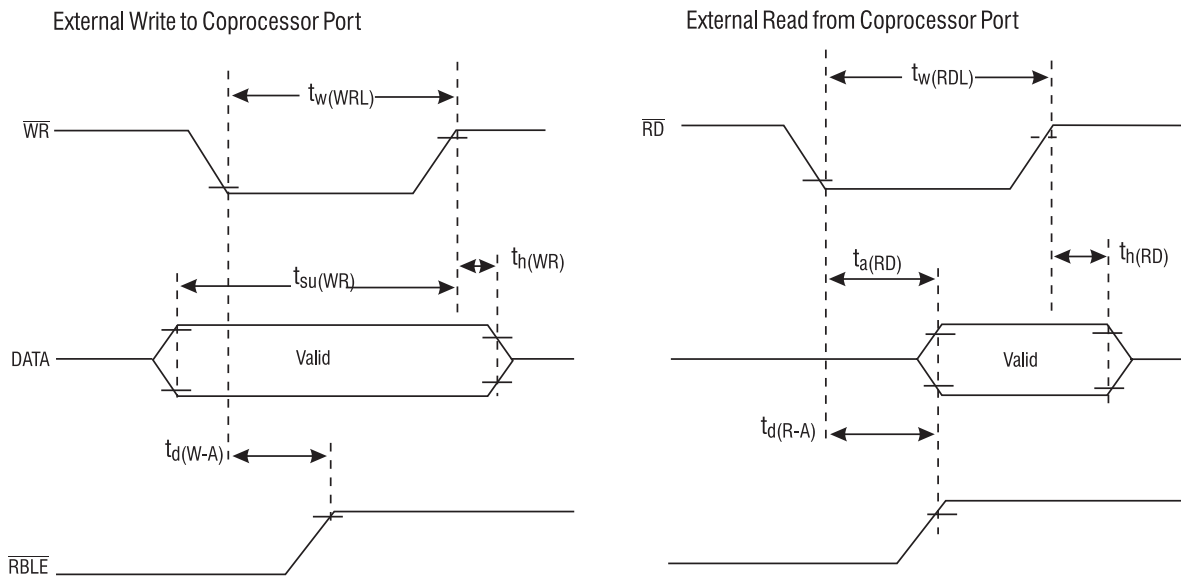


Note: The most significant bit is shifted first.

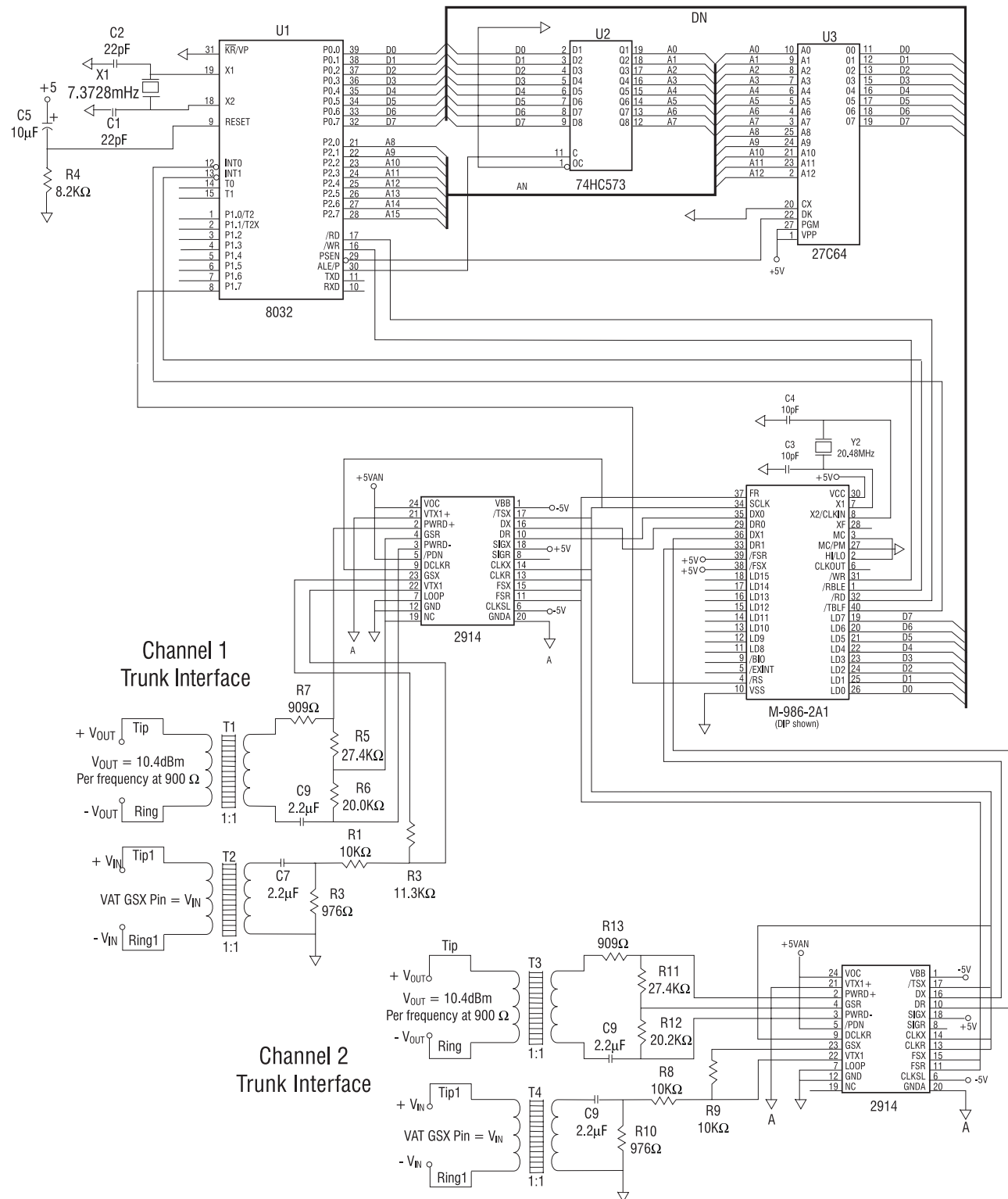
### Reset Timing



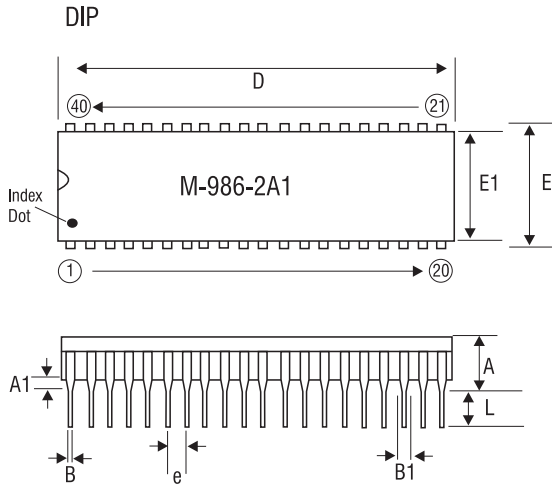
### Coprocessor Timing



M-986 Dual Channel 4-Wire Interface Application Circuit

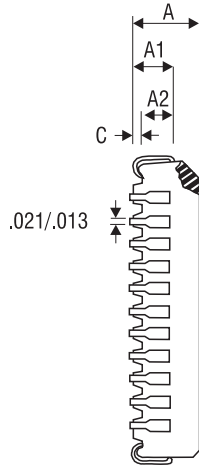
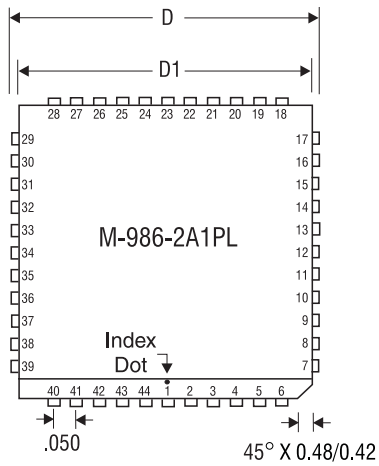


Mechanical Dimensions



	Tolerances			
	(inches)		Metric (mm)	
	Min	Max	Min	Max
A	-	.250	-	6.35
A1	.015	-	.39	
B	.014	.022	.36	.56
B1	.030	.070	.77	1.78
C	.008	.015	.20	.38
D	1.98	2.095	50.30	53.20
E	.600	.625	15.24	15.87
E1	.485	.580	12.32	14.73
e	.100 BSC		2.54 BSC	
L	.115	.200	2.93	5.08

PLCC



	Tolerances			
	(inches)		Metric (mm)	
	Min	Max	Min	Max
A	.165	.180	4.19	4.57
A1	.090	.20	2.29	5.08
A2	.062	.083	1.58	2.11
C	.020 min		.51 min	
D	.685	.695	17.40	17.65
D1	.650	.653	16.51	16.66

Drawing not to scale.  
Drawing does not reflect actual part marking.



### CLARE LOCATIONS

Clare Headquarters  
78 Cherry Hill Drive  
Beverly, MA 01915  
Tel: 1-978-524-6700  
Fax: 1-978-524-4900  
Toll Free: 1-800-27-CLARE

Clare Switch Division  
4315 N. Earth City Expressway  
Earth City, MO 63045  
Tel: 1-314-770-1832  
Fax: 1-314-770-1812

Clare Micronix Division  
145 Columbia  
Aliso Viejo, CA 92656-1490  
Tel: 1-949-831-4622  
Fax: 1-949-831-4628

### SALES OFFICES

#### AMERICAS

##### Americas Headquarters

Clare  
78 Cherry Hill Drive  
Beverly, MA 01915  
Tel: 1-978-524-6700  
Fax: 1-978-524-4900  
Toll Free: 1-800-27-CLARE

##### Eastern Region

Clare  
603 Apache Court  
Mahwah, NJ 07430  
Tel: 1-201-236-0101  
Fax: 1-201-236-8685  
Toll Free: 1-800-27-CLARE

##### Central Region

Clare Canada Ltd.  
3425 Harvester Road, Suite 202  
Burlington, Ontario L7N 3N1  
Tel: 1-905-333-9066  
Fax: 1-905-333-1824

##### Western Region

Clare  
1852 West 11th Street, #348  
Tracy, CA 95376  
Tel: 1-209-832-4367  
Fax: 1-209-832-4732  
Toll Free: 1-800-27-CLARE

##### Canada

Clare Canada Ltd.  
3425 Harvester Road, Suite 202  
Burlington, Ontario L7N 3N1  
Tel: 1-905-333-9066  
Fax: 1-905-333-1824

### EUROPE

#### European Headquarters

CP Clare nv  
Bampslaan 17  
B-3500 Hasselt (Belgium)  
Tel: 32-11-300868  
Fax: 32-11-300890

#### France

Clare France Sales  
Lead Rep  
99 route de Versailles  
91160 Champlan  
France  
Tel: 33 1 69 79 93 50  
Fax: 33 1 69 79 93 59

#### Germany

Clare Germany Sales  
ActiveComp Electronic GmbH  
Mitterstrasse 12  
85077 Manching  
Germany  
Tel: 49 8459 3214 10  
Fax: 49 8459 3214 29

#### Italy

C.L.A.R.E.s.a.s.  
Via C. Colombo 10/A  
I-20066 Melzo (Milano)  
Tel: 39-02-95737160  
Fax: 39-02-95738829

#### Sweden

Clare Sales  
Comptronic AB  
Box 167  
S-16329 Spånga  
Tel: 46-862-10370  
Fax: 46-862-10371

#### United Kingdom

Clare UK Sales  
Marco Polo House  
Cook Way  
Bindon Road  
Taunton  
UK-Somerset TA2 6BG  
Tel: 44-1-823 352541  
Fax: 44-1-823 352797

### ASIA/PACIFIC

#### Asian Headquarters

Clare  
Room N1016, Chia-Hsin, Bldg II,  
10F, No. 96, Sec. 2  
Chung Shan North Road  
Taipei, Taiwan R.O.C.  
Tel: 886-2-2523-6368  
Fax: 886-2-2523-6369

<http://www.clare.com>

---

*Clare, Inc. makes no representations or warranties with respect to the accuracy or completeness of the contents of this publication and reserves the right to make changes to specifications and product descriptions at any time without notice. Neither circuit patent licenses nor indemnity are expressed or implied. Except as set forth in Clare's Standard Terms and Conditions of Sale, Clare, Inc. assumes no liability whatsoever, and disclaims any express or implied warranty, relating to its products including, but not limited to, the implied warranty of merchantability, fitness for a particular purpose, or infringement of any intellectual property right.*

*The products described in this document are not designed, intended, authorized or warranted for use as components in systems intended for surgical implant into the body, or in other applications intended to support or sustain life, or where malfunction of Clare's product may result in direct physical harm, injury, or death to a person or severe property or environmental damage. Clare, Inc. reserves the right to discontinue or make changes to its products at any time without notice.*

---

Specification: DS-M986-2A1-R3  
©Copyright 2001, Clare, Inc.  
All rights reserved. Printed in USA.  
7/26/01