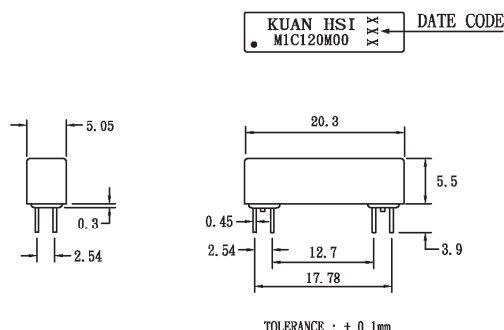


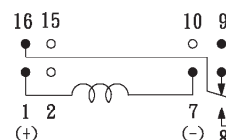
Features

1. High reliability.
2. Electro-shield is available.
3. Automatic insertion compatible.
4. Ultra-mini size offers space saving.
5. Application for testing equipment & instrument is compatible.

Outside Dimension:Unit (mm)



Schematic:Top View



Coil Ratings

(AT 20°C)

Parameter	Rating	Unit
Coil Resistance	1500	Ω (±10%)
Nominal Coil Current	12	VDC
Maximun Continuous Voltage	20	VDC
Must Operate	9	VDC
Must Release	1.2	VDC
Rated Current	8	mA

Electrical Characteristics

Parameter	Rating	Unit
Contact Resistance	150	mΩ (max)
Operate Time	1.0	ms(max)
Bounce Time	2.0	ms(max)
Release Time	0.2	ms(max)
Insulation Resistance (100VDC)	10 ⁹	Ω (min)
Power	3	VA(max)
Switching Voltage	100	VDC(max)
Switching Current	0.25	A(max)
Carry Current	0.5	A(max)
Breakdown Voltage (Across Open Contact)	200	VDC(min)
(Between Coil & Contact)	1000	VDC(min)
Life Expectancy (Signal Level)	10 ⁷	
Operating Temp	-40 to 85	°C
Storage Temp	-40 to 125	°C
Resonant Frequency	3.5	KHZ
Vibration (10-2000HZ)	20	g(max)
Shock (11ms 1/2sin wave)	30	g(max)
Minimun Permissible Load	100	mVDC 10uA