



LCD	8888
M1613	

Timer with Dialer Interface

FEATURES 功能敘述

- Dialing number and conversation time display.
- Conversation timer (Max. to 59 mins and 59 secs).
- 8 or 10 digits LCD display driver, 3V, 1/2 Bias, 1/3 duty.
- Built-in dialer interface.
- 12/24 hour format.
- S1, S2 : real time clock setting.
- Blinking cursor waits for dialing number.

APPLICATION 產品應用

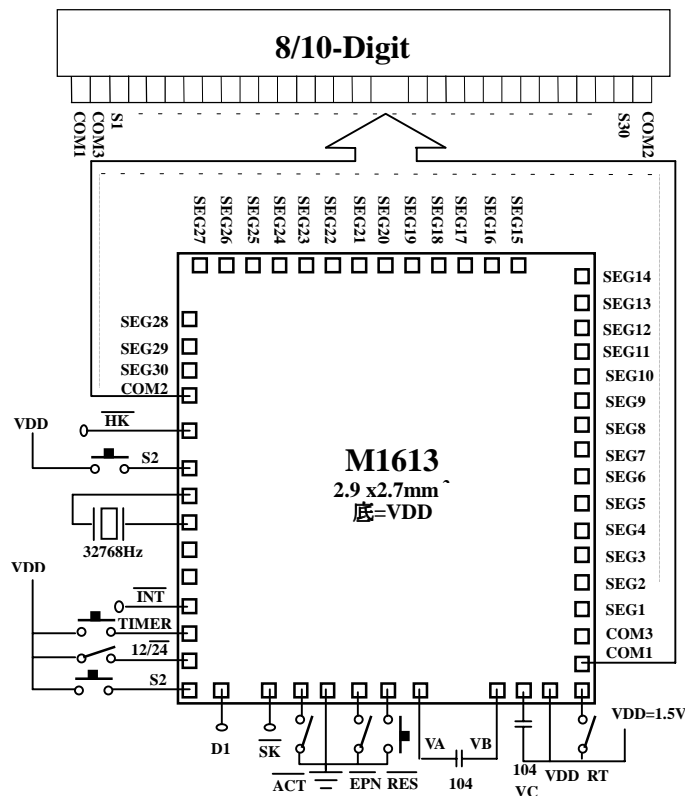
- Timers , clocks and watch, LCD display driver....

ELECTRICAL CHARACTERISTICS 電氣規格

(@V_{DD}=1.5V unless otherwise specified)

Characteristics	Sym.	Min.	Typ.	Max.	Unit	REMARKS
工作電壓 Operating Voltage	V _{DD}	1.2	1.5	3	V	
工作電流 Operating Current	I _{BB}	—	3	10	μA	No load
靜態電流 Quiescent Current	I _{DD}	—	0.1	1	μA	V _{HK} = Floating or V _{DD}
推動電流 Driving Current	I _{OL}	500	1000	—	mA	
振盪頻率 Oscillator Frequency	Fosc	—	32768	—	Hz	±30% TOL.
工作溫度 Operating Temperature	Temp	-20	—	75	°C	

APPLICATION DIAGRAM 參考電路圖



*All specs and applications shown above subject to change without prior notice.

(以上電路及規格僅供參考,本公司得逕行修正)



LCD	
M1613	8888

Timer with Dialer Interface

