



SANYO Semiconductors

DATA SHEET

LV3401M — Bi-CMOS IC FM Multiplex Filter

Overview

The LV3401M is a filter IC for FM multiplex broadcasting reception which is used in combination with demodulation and error correction IC (LC72700 series). The use of switched capacitor filter (SCF) technique obviates the need for frequency adjustment and ensures stable operation.

Functions

- 76kHz BPF (Gaussian filter)
- 54kHz HPF
- 125kHz LPF
- Anti-aliasing filter
- Limiter circuit

Specifications

Maximum Ratings at $T_a = 25^\circ\text{C}$

Parameter	Symbol	Conditions	Ratings	Unit
Maximum supply voltage	$V_{CC \text{ max}}$		6	V
Input voltage	V_3, V_{12}		-0.3 to $V_{CC}+0.3$	V
Allowable power dissipation	$P_d \text{ max}$	$T_a \leq 85^\circ\text{C}^*$	180	mW
Operating temperature	T_{opr}		-40 to +85	$^\circ\text{C}$
Storage temperature	T_{stg}		-55 to +125	$^\circ\text{C}$

* Mounted on a board: $114.3 \times 76.1 \times 1.6 \text{ mm}^3$ Glass epoxy

Operating Conditions at $T_a = 25^\circ\text{C}$

Parameter	Symbol	Conditions	Ratings	Unit
Recommended supply voltage	V_{CC}		5.0	V
Allowable operating range	$V_{CC \text{ op}}$		3 to 5.5	V
Input signal voltage range	V_{IN}	Baseband signal for FM : 100% modulation	200 to 300	mVrms
		$f_{in} = 76 \text{ kHz, CW}$	8 to 30	mVrms
Clock frequency	f_{ck}	Rectangular wave	3.60	MHz
Clock input voltage	V_{ck}	Rectangular wave	1.0 to V_{CC}	Vp-p

■ Any and all SANYO Semiconductor products described or contained herein do not have specifications that can handle applications that require extremely high levels of reliability, such as life-support systems, aircraft's control systems, or other applications whose failure can be reasonably expected to result in serious physical and/or material damage. Consult with your SANYO Semiconductor representative nearest you before using any SANYO Semiconductor products described or contained herein in such applications.

■ SANYO Semiconductor assumes no responsibility for equipment failures that result from using products at values that exceed, even momentarily, rated values (such as maximum ratings, operating condition ranges, or other parameters) listed in products specifications of any and all SANYO Semiconductor products described or contained herein.

SANYO Semiconductor Co., Ltd.

TOKYO OFFICE Tokyo Bldg., 1-10, 1 Chome, Ueno, Taito-ku, TOKYO, 110-8534 JAPAN

LV3401M

Electrical Characteristics at $T_a = 25^\circ\text{C}$, $V_{CC} = 5\text{V}$, $f_{ck} = 3.6\text{MHz}$, $V_{ck} = 1\text{Vp-p}$

Parameter	Symbol	Conditions	Ratings			Unit
			min	typ	max	
Supply current	I_{CCO}	Pin 14 current when $V_{IN} = \text{no signal}$	3.8	6	8	mA
SCF block common voltage	V_2	Pin 2 voltage when $V_{IN} = \text{no signal}$	2.2	2.4	2.6	V
Signal input resistance	R_{IN3}	Pin 3 input resistance		36		k Ω
Clock input resistance	R_{IN12}	Pin 12 input resistance		5		k Ω
[MSK output]						
MSK input sensitivity	V_{3S}	Input level at which an MSK output having a frequency of 76kHz is obtained when $V_{IN} = 76\text{kHz}$, CW is applied.			4	mVrms
MSK output H level	V_{10H}	$V_{IN} = 76\text{kHz}$, 4mVrms, CW	4			V
MSK output L level	V_{10L}				0.4	V

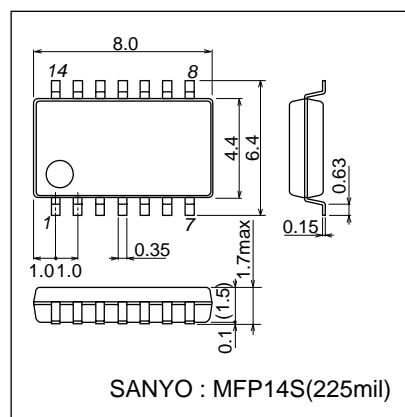
Reference Characteristics

Parameter	Symbol	Conditions	Ratings	Unit
AAF cutoff frequency	f_{AAF}		300	kHz
HPF corner frequency	f_{HPF}		54	kHz
LPF cutoff frequency	f_{LPF}		125	kHz
BPF center frequency	f_{BPF}		76	kHz
BPF-3dB frequency	$f_{BPF-3dB}$		19	kHz
In-band maximum group delay time difference	B_{DL}		± 5	μs

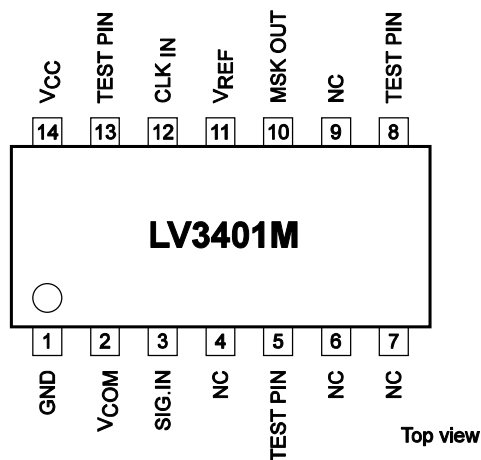
Package Dimensions

unit :mm

3111A

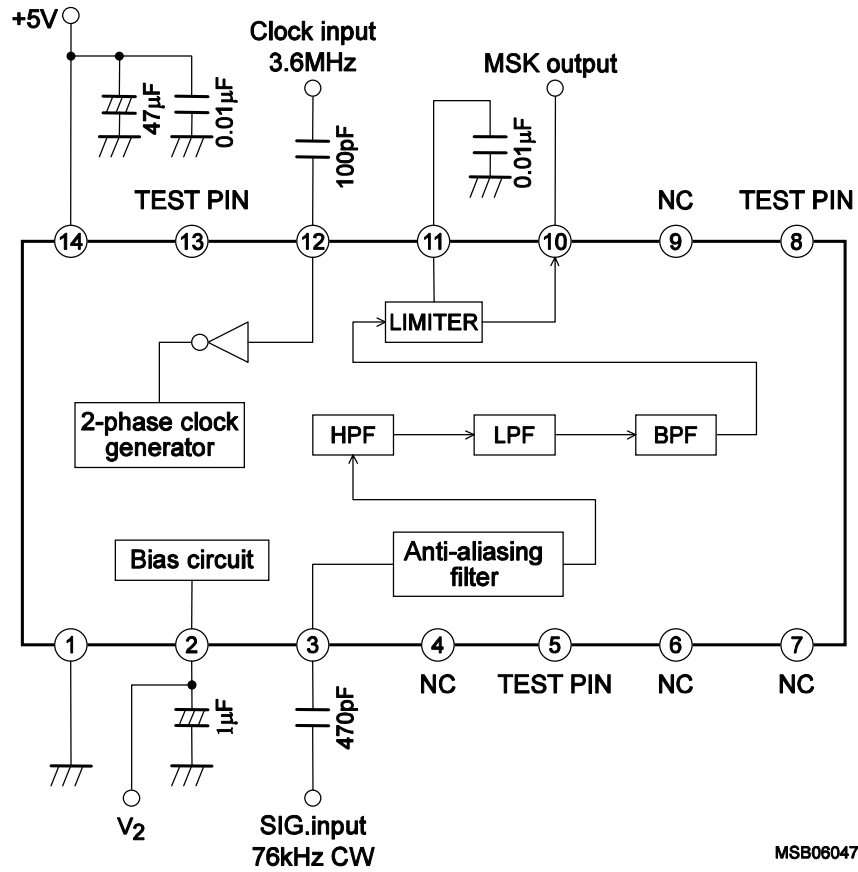


Pin Assignment



LV3401M

Block Diagram and Test Circuit

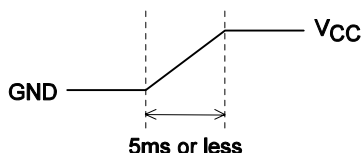


Pin Description

Pin No.	Pin name	Description
1	GND	Ground pin
2	VCOM	SCF block common pin. Decoupling capacitor connection.
3	SIG.IN	Signal input pin. FM demodulation signal (composite signal) input. Demodulation signal 200 to 300mVrms input. When 76kHz only is input, input sensitivity is 4mVrms or less.
10	MSK OUT	MSK output (CMOS output)
11	VREF	Limiter reference pin. Internal resistor and external capacitor are used to form LPF.
12	CLK _{IN}	3.6MHz clock input. Since limiter amplifier provides DC bias, clock is input through capacitive coupling.
14	V _{CC}	Power supply pin.
5, 8, 13	TEST PIN	Test pin. Left open.
4, 6, 7, 9	NC	Idle pin.

Usage Notes

- (1) Leave pins 4 to 9 and pin 13 open.
- (2) Input the clock to pin 12, as such, through a capacitor (100pF) from the decoder(LC72700 series) clock output pin or input the clock to pin 12 through a capacitor after making the rising/trailing edge less steep by inserting a CR-formed LPF en route if it is desirable to reduce spurious radiation from the clock line.
- (3) 5ms or less are recommended at the rising time of the power supply.



- Specifications of any and all SANYO Semiconductor products described or contained herein stipulate the performance, characteristics, and functions of the described products in the independent state, and are not guarantees of the performance, characteristics, and functions of the described products as mounted in the customer's products or equipment. To verify symptoms and states that cannot be evaluated in an independent device, the customer should always evaluate and test devices mounted in the customer's products or equipment.
- SANYO Semiconductor Co., Ltd. strives to supply high-quality high-reliability products. However, any and all semiconductor products fail with some probability. It is possible that these probabilistic failures could give rise to accidents or events that could endanger human lives, that could give rise to smoke or fire, or that could cause damage to other property. When designing equipment, adopt safety measures so that these kinds of accidents or events cannot occur. Such measures include but are not limited to protective circuits and error prevention circuits for safe design, redundant design, and structural design.
- In the event that any or all SANYO Semiconductor products (including technical data, services) described or contained herein are controlled under any of applicable local export control laws and regulations, such products must not be exported without obtaining the export license from the authorities concerned in accordance with the above law.
- No part of this publication may be reproduced or transmitted in any form or by any means, electronic or mechanical, including photocopying and recording, or any information storage or retrieval system, or otherwise, without the prior written permission of SANYO Semiconductor Co., Ltd.
- Any and all information described or contained herein are subject to change without notice due to product/technology improvement, etc. When designing equipment, refer to the "Delivery Specification" for the SANYO Semiconductor product that you intend to use.
- Information (including circuit diagrams and circuit parameters) herein is for example only; it is not guaranteed for volume production. SANYO Semiconductor believes information herein is accurate and reliable, but no guarantees are made or implied regarding its use or any infringements of intellectual property rights or other rights of third parties.

This catalog provides information as of March, 2006. Specifications and information herein are subject to change without notice.