

LQ181E1DG01

Color TFT-LCD Module for OA/Multimedia use
(Desktop PC/Monitor)

Features

- Display size : 46 cm [18.1"], SXGA format
- High brightness
- Wide viewing angle suitable for Desktop PC/Monitor
- LVDS (Low voltage differential signaling) technology
- Super V*

*...Super View

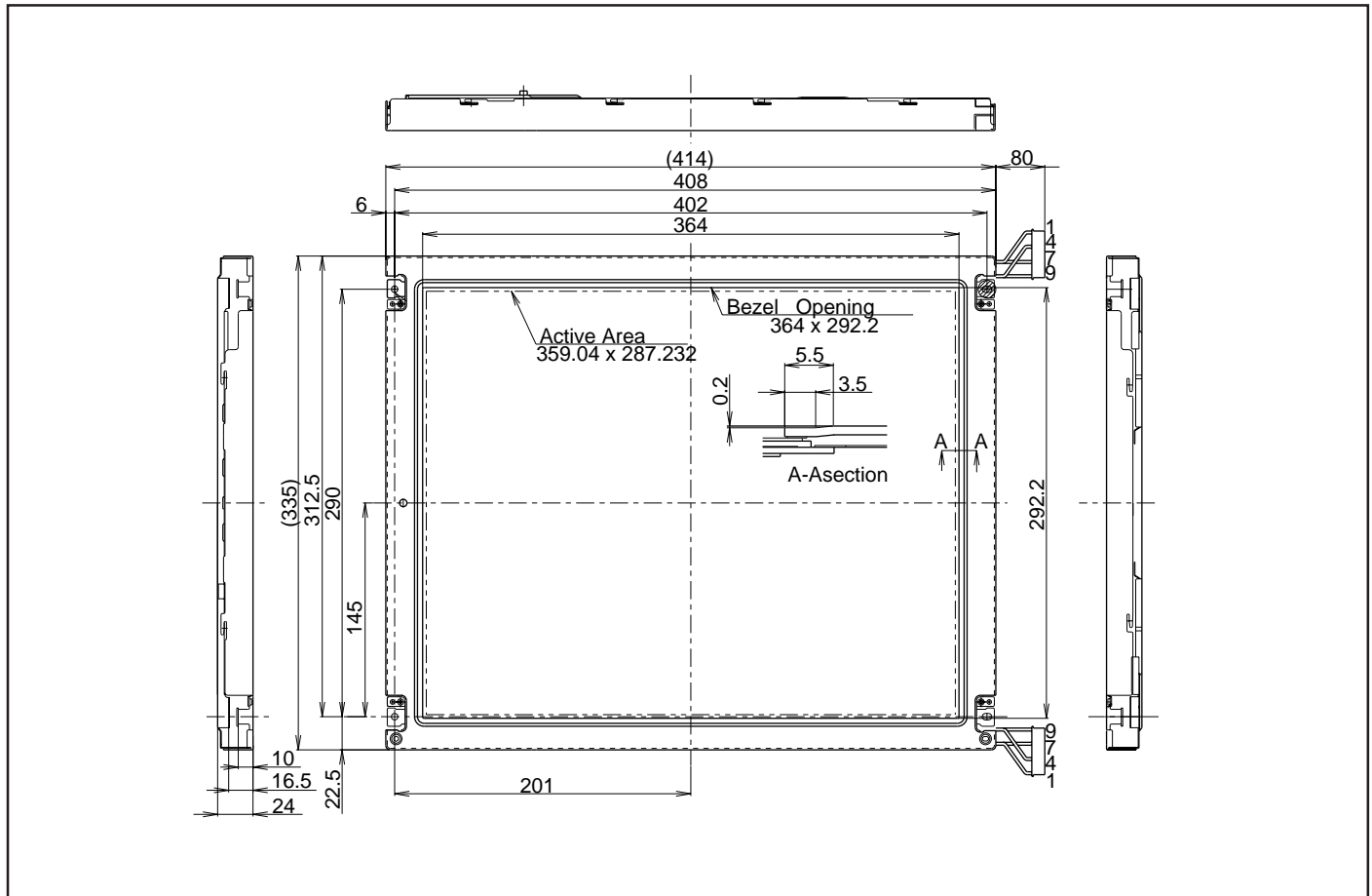
Specifications

| Parameter | | Unit |
|---------------------|-------------------|----------|
| Display size | 46 [18.1] | cm ["] |
| Dot format (H x V) | 1280 x RGB x 1024 | dot |
| Dot pitch (H x V) | 0.0935 x 0.2805 | mm |
| Active area (H x V) | 359.0 x 287.2 | mm |
| Color | 16 Mil. | color |
| Input signal | 8-bit Digital RGB | - |
| Viewing direction | 6 : 00 | - |
| Backlight type | 4CCFT (E) | - |

| Parameter | | Unit |
|-------------------------------------|----------------------|-------------------|
| Brightness | 200 | cd/m ² |
| Contrast ratio | 300 : 1 | - |
| Power consumption panel & backlight | 25 | W |
| Outline dimensions (W x H x D) | 414.0 x 335.0 x 24.0 | mm |
| Weight | 3 520 | g |
| Operating temperature | 0 to +50 | °C |
| Storage temperature | -25 to +60 | °C |

Outline Dimensions

unit : mm



NOTICE

The intended purpose of this product does not include military vehicles or civilian aircraft cockpit applications. Should any product be used in these applications no warranty or representation is made that the product is free from claims of patent infringement and no indemnification against such claims will be provided.