

# LPX 40/60 ENCLOSURES

## AMERICAS

5810 Van Allen Way  
Carlsbad, CA 92008  
Telephone: 760-930-4600  
Facsimile: 760-930-0698

## EUROPE

Astec House, Waterfront Business Park  
Merry Hill, Dudley  
West Midlands, DY5 1LX, UK  
Telephone: 44 (1384)842-211  
Facsimile: 44 (1384) 843-355

## ASIA

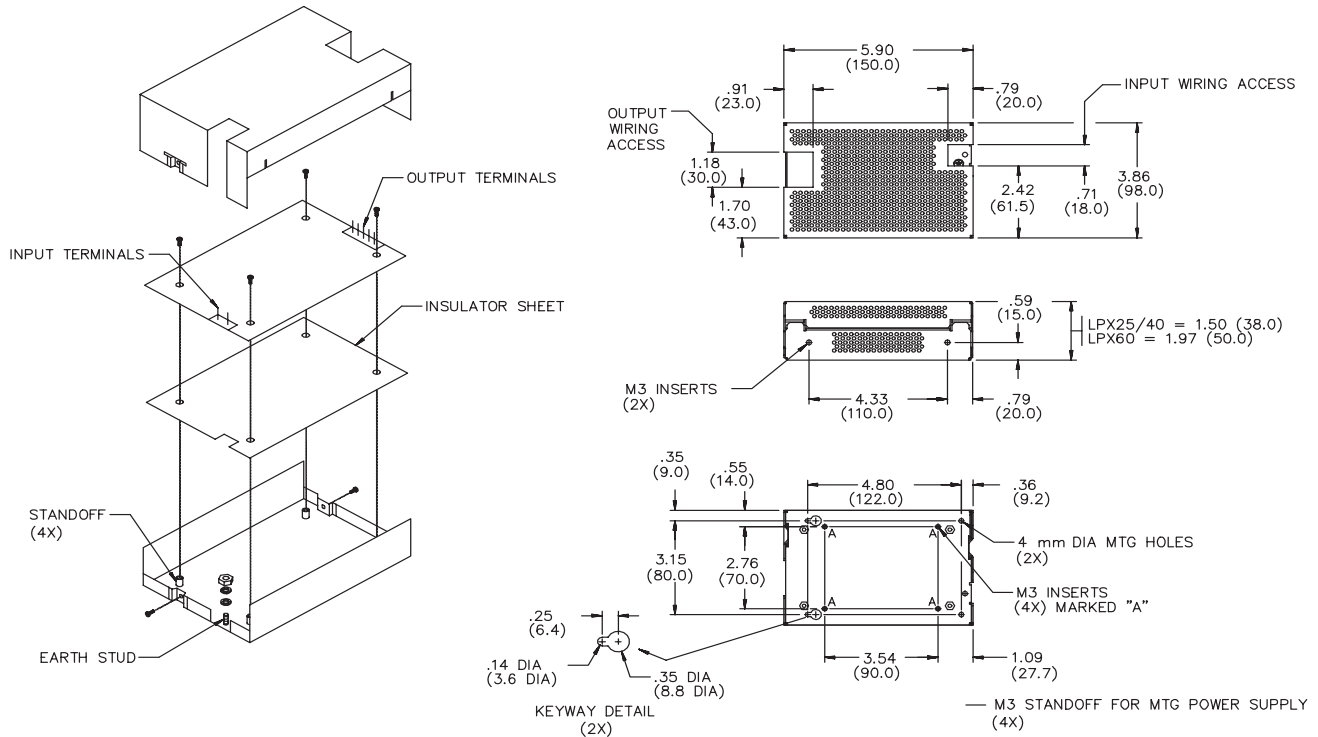
17th Floor, Lu Plaza  
2 Wing Yip Street  
Kwun Tong, Kowloon  
Hong Kong SAR  
Telephone: 852-2176-3333  
Facsimile: 852-2176-3888



## Installation Notes

### LPX 40 and LPX 60 • Cover Enclosure Kit

LPX40 will fit both the LPX4X and LPX2X power supplies.



## MATERIALS

- 1 Base
  - 1 Cover (top and sides perforated)
  - 6 M3 x 6mm screws with captive lock washer
  - 1 M4 nut
  - 1 M4 star washer
  - 1 M4 spring washer
  - 1 Plastic insulator sheet
- } For earth stud

## NOTES

1. All dimensions in inches (mm).
2. Overall dimensions:  
LPX 25/40: 5.9 (150) x 3.86 (98) x 1.5 (38)  
LPX 60: 5.9 (150) x 3.86 (98) x 1.97 (50)
3. Base plate has three sets of customer mountings:
  - a. Bottom mounting (4x) M3 inserts, max. screw penetration 3mm;
  - b. Bottom mounting (2x) 4mm clear holes plus 2 keyways (see keyway detail);
  - c. Side mountings (2x) M3 inserts, max. screw penetration 6mm.
4. Ensure insulator is correctly fitted in base under PCB to maintain safety creepage and clearance distances.
5. Ensure base is firmly connected to supply earth via the earth stud marked ⊕.
6. When using this enclosure, ensure that relevant safety standards (e.g., EN60950) are complied with, in respect to creepage and clearance distances, and distances through insulation.

