

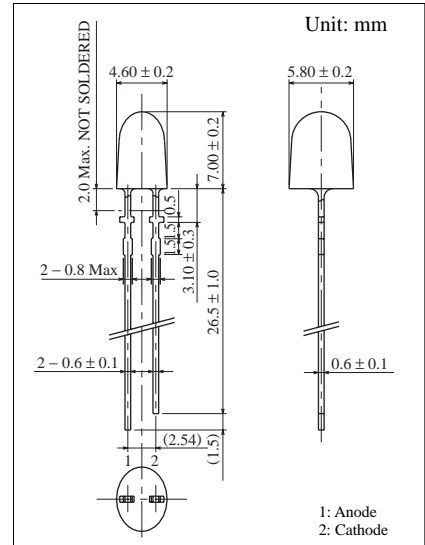
φ 5.0 mm 楕円 Pure Green

Conventional Part No. Global Parts No. Lighting Color
 LNW6B2GZFZ LNW6B2GZFZ Green

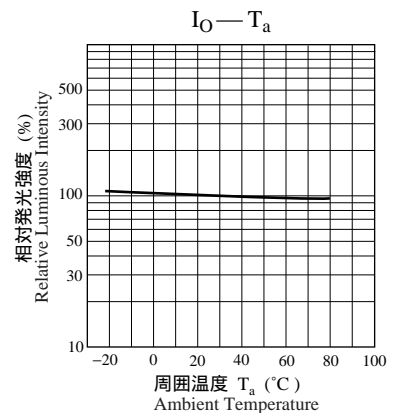
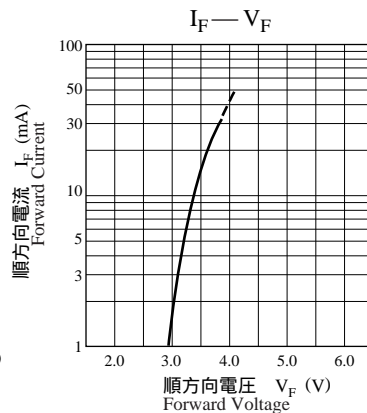
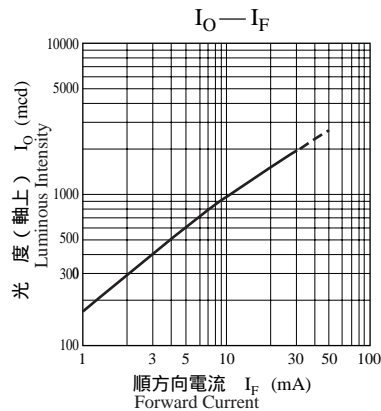
■ 絶対最大定格 Absolute Maximum Ratings ($T_a = 25^\circ\text{C}$)

Lighting Color	P_D (mW)	I_F (mA)	I_{FP} (mA)*	V_R (V)	T_{opr} ($^\circ\text{C}$)	T_{stg} ($^\circ\text{C}$)
Green	120	30	100	4	-25 ~ +85	-30 ~ +100

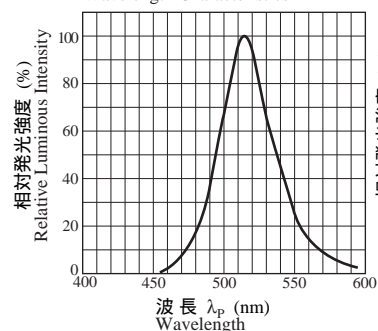
I_{FP} の条件は duty 10% ,Pulse width 1 msec. The condition of I_{FP} is duty 10%, Pulse width 1 msec

■ 電気的光学的特性 Electro-Optical Characteristics ($T_a = 25^\circ\text{C}$)

Conventional Part No.	Lighting Color	Lens Color	I_O		I_F	V_F		λ_P	$\Delta\lambda$	I_F	I_R	
			Typ	Min		Typ	Max	Typ	Typ		Max	V_R
LNW6B2GZFZ	Green	Clear	1700	—	20	3.7	4.5	525	45	20	1.3	0.9
Unit	—	—	mcd	mcd	mA	V	V	nm	nm	mA	μA	V



相対発光強度 — 波長特性
 Relative Luminous Intensity
 Wavelength Characteristics



指向特性
 Directive Characteristics

