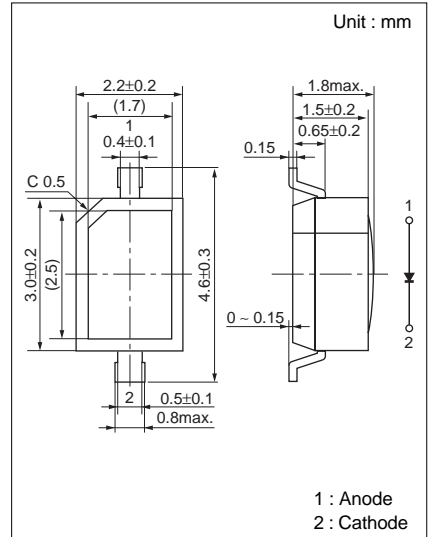


GW Type

Type No. Lighting Color
 LNJ861L3SRA Soft Orange



絶対最大定格 Absolute Maximum Ratings (Ta=25°C)

Lighting Color	P _D (mW)	I _F (mA)	I _{FP} (mA)*	V _R (V)	T _{opr} (°C)	T _{stg} (°C)
Soft Orange	60	20	60	3	-25 ~ +80	-30 ~ +85

* I_{FP}の条件は、duty 10%, Pulse width 1 msec. The condition of I_{FP} is duty 10%, Pulse width 1 msec

電気的光学的特性 Electro-Optical Characteristics (Ta=25°C)

Type No.	Lighting Color	Lens Color	I _O		I _F	V _F		λ _P	Δλ	I _F	I _R	
			typ	min		typ	max				max	V _R
LNJ861L3SRA	Soft Orange	Clear	3.5	1.0	20	2.1	2.8	610	40	20	10	3
Unit	—	—	mcd	mcd	mA	V	V	nm	nm	mA	μA	V

