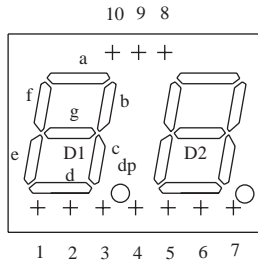


Numeric Display

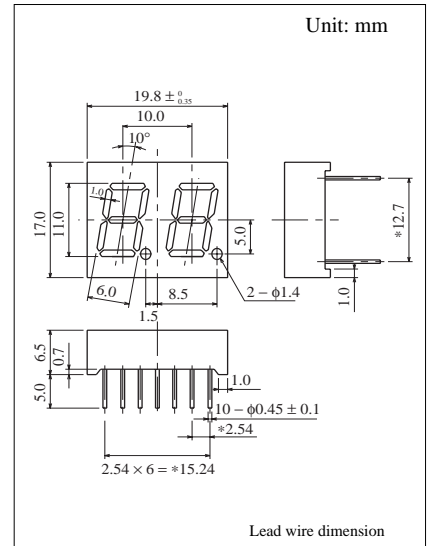
2 Digit 11.0 mm (.4") Series

Conventional Part No. Global Part No. Lighting Color
 LN524RAMR LNM224AP01 Red
 LN524RKMR LNM224KP01 Red
 LN524GAMG LNM324AP01 Green
 LN524GKMG LNM324KP01 Green

Terminal Connection



Pin No.	Assignment	Assignment
1	Cathode e	Anode e
2	Cathode d	Anode d
3	Cathode c	Anode c
4	Cathode dp	Anode dp
5	Cathode b	Anode b
6	Cathode a	Anode a
7	Cathode g	Anode g
8	Cathode f	Anode f
9	Common Anode D2	Common Cathode D2
10	Common Anode D1	Common Cathode D1



■ Absolute Maximum Ratings (T_a = 25°C)

Lighting Color	P _D (mW)	I _F (mA)	I _{FP} (mA)*	V _R (V)	T _{opr} (°C)	T _{stg} (°C)
Red	40	15	80	5	-25 ~ +80	-30 ~ +85
Green	40	15	80	5	-25 ~ +80	-30 ~ +85

I_{FP}の条件は duty 10% ,Pulse width 1 msec. The condition of I_{FP} is duty 10%, Pulse width 1 msec

■ Electro-Optical Characteristics (T_a = 25°C)

Conventional Part No.	Lighting Color	Common	I _O / seg		I _F	V _F		λ _P	Δλ	I _F	I _R		
			Typ	Min		Typ	Typ				Max	Max	V _R
LN524RAMR	Red	Anode	450	200	150	5	2.03	2.8	700	100	10	10	5
LN524RKMR	Red	Cathode	450	200	150	5	2.03	2.8	700	100	10	10	5
LN524GAMG	Green	Anode	1500	500	500	10	2.03	2.8	565	30	10	10	5
LN524GKMG	Green	Cathode	1500	500	500	10	2.03	2.8	565	30	10	10	5
Unit	—	—	μcd	μcd	μcd	mA	V	V	nm	nm	mA	μA	V

