

# Round Type

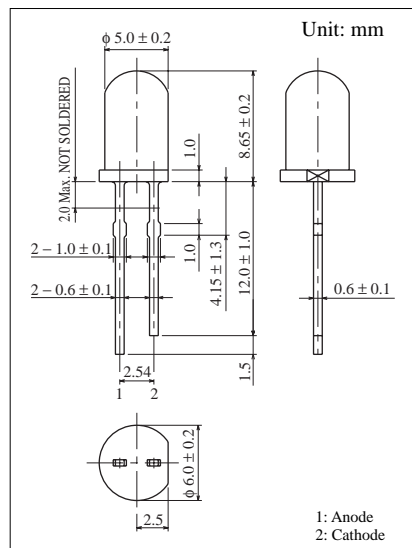
## φ 5.0 mm Series

Conventional Part No.	Global Part No.	Lighting Color
LN21RPHL	LNG201RDR	Red
LN21RCPHL	LNG201LDR	Red
LN21WPHL	LNG201WDR	Red
LN21CPHL	LNG201CDR	Red

### Absolute Maximum Ratings (T<sub>a</sub> = 25°C)

Lighting Color	P <sub>D</sub> (mW)	I <sub>F</sub> (mA)	I <sub>FP</sub> (mA)*	V <sub>R</sub> (V)	T <sub>opr</sub> (°C)	T <sub>stg</sub> (°C)
Red	70	25	150	4	-25 ~ +85	-30 ~ +100

I<sub>FP</sub>の条件は、duty 10% Pulse width 1 msec. The condition of I<sub>FP</sub> is duty 10%, Pulse width 1 msec



### Electro-Optical Characteristics (T<sub>a</sub> = 25°C)

Conventional Part No.	Lighting Color	Lens Color	I <sub>O</sub>		I <sub>F</sub>	V <sub>F</sub>		λ <sub>p</sub>	Δλ	I <sub>F</sub>	I <sub>R</sub>	
			Typ	Min		Typ	Max				Max	V <sub>R</sub>
LN21RPHL	Red	Red Diffused	3.0	1.0	15	2.2	2.8	700	100	20	5	4
LN21RCPHL	Red	Red Clear	5.0	2.5	15	2.2	2.8	700	100	20	5	4
LN21WPHL	Red	White Diffused	3.0	1.0	15	2.2	2.8	700	100	20	5	4
LN21CPHL	Red	Clear	5.0	2.0	15	2.2	2.8	700	100	20	5	4
Unit	—	—	mcd	mcd	mA	V	V	nm	nm	mA	μA	V

