

2012 Size

1200/1400 MHz

Chip Multilayer Splitter/Combiner

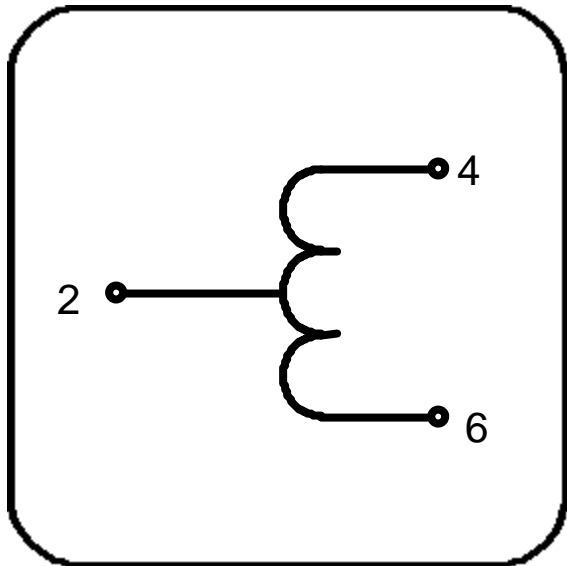
FSLH-S130C

All the technical data and information contained herein are subject to change without notice.

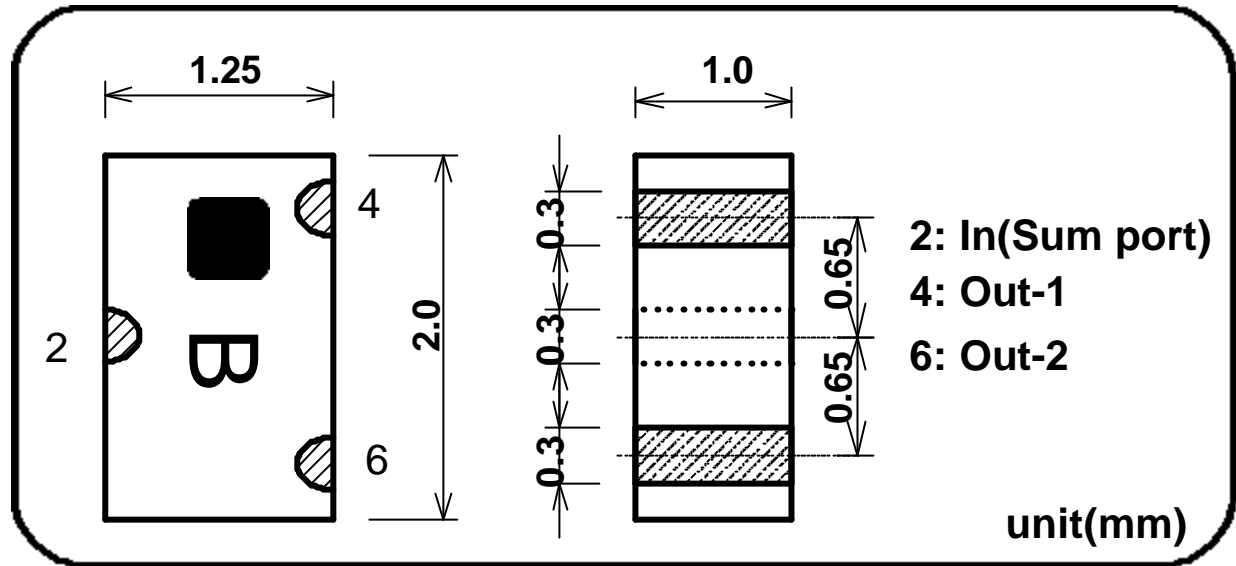


LH-FSLH-S130C-0406A

Equivalent Circuits



Shape & Size



Specifications

Part Name: FSLH-S130C

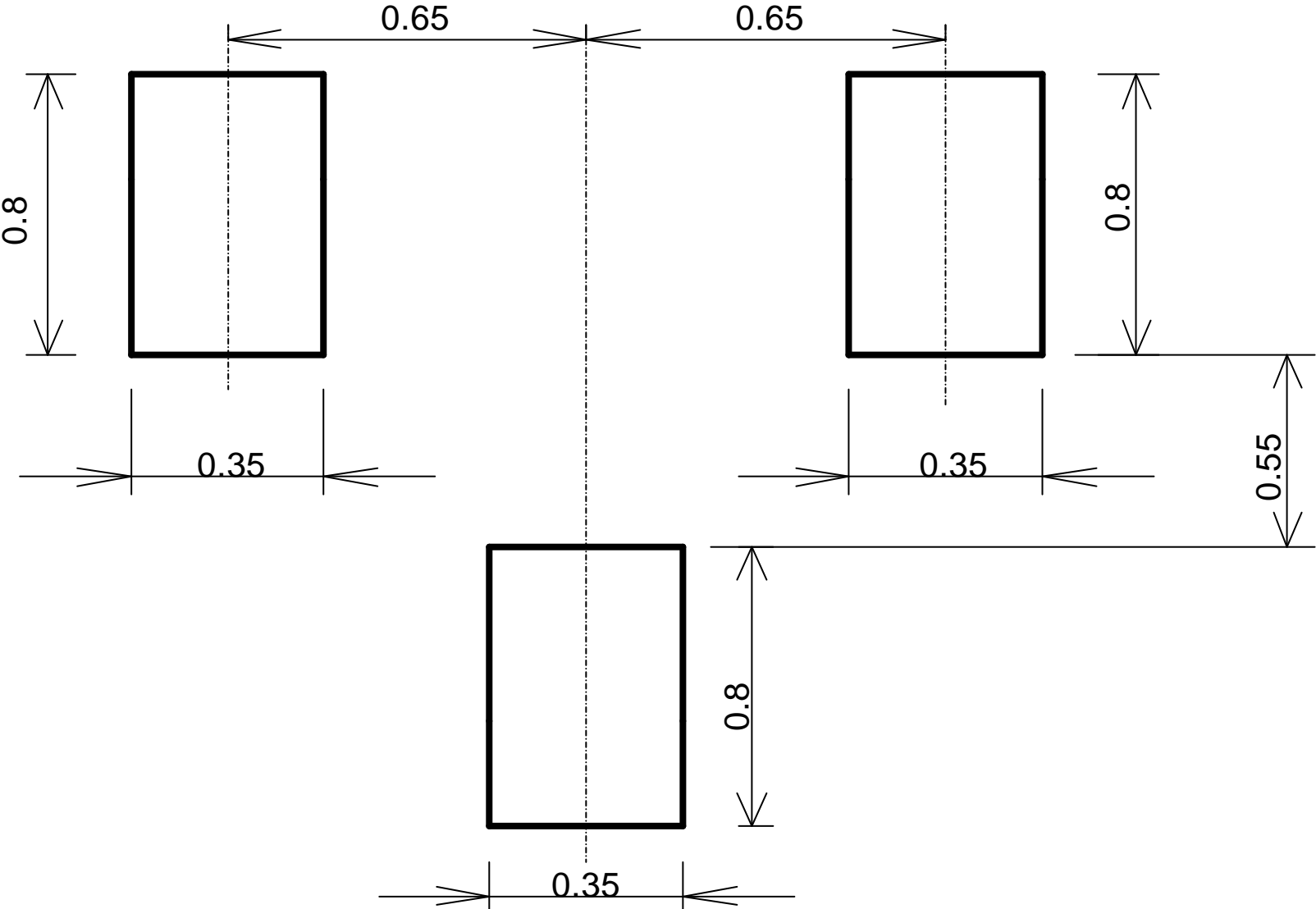
Frequency Range	Matching Capacitor	Insertion Loss *1	Isolation	Return Loss	Handling Power	Temperature Range
1200-1400MHz	2.0pF	1dB Max. (0.20dB Typ.)	12dB Min. (20dB Typ.)	10dB Min. (18dB Typ.)	1W Max. (CW)	-35 to +85 deg.C

*1 Not include splitting loss (3dB)

All the technical data and information contained herein are subject to change without notice.

LH-FSLH-S130C-0406A

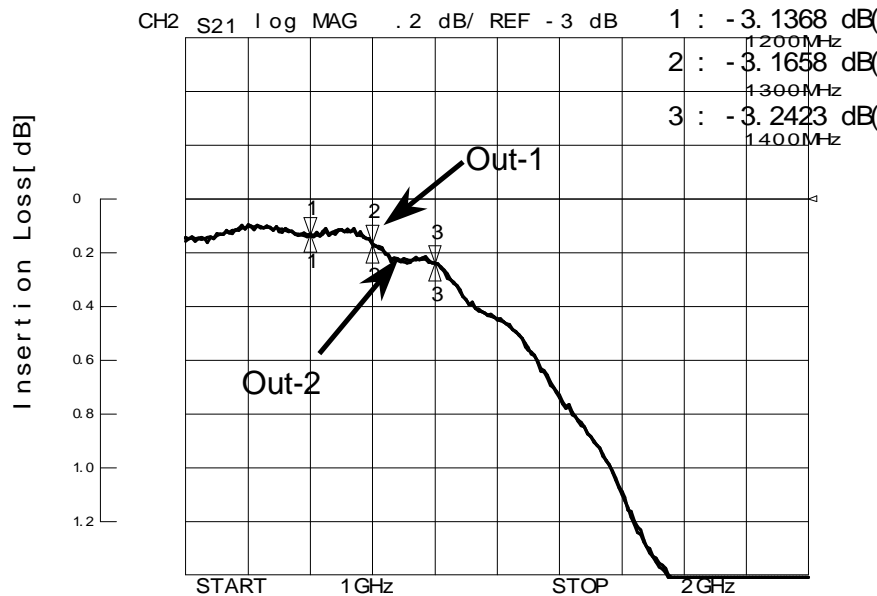
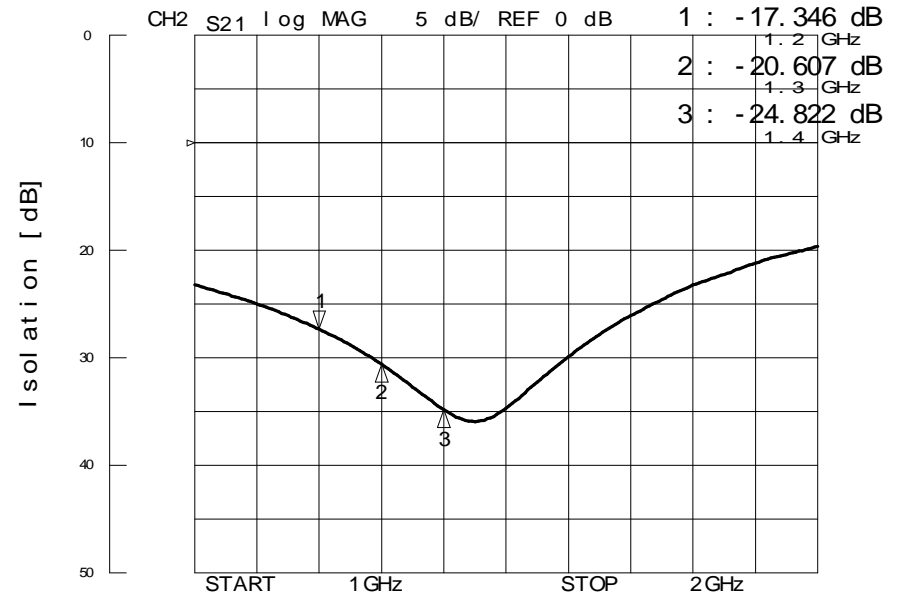
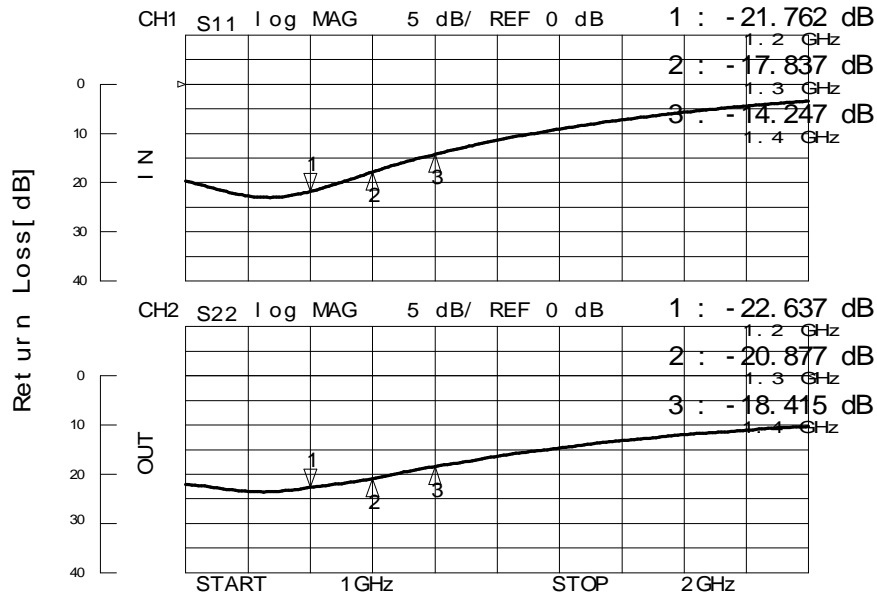
FOOT PATTERN



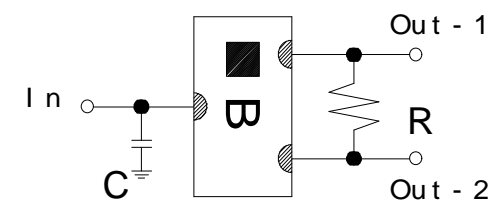
All the technical data and information contained herein are subject to change without notice.

LH-FSLH-S130C-0406A

FSLH-S130C Sample Data



1.3 GHz Band
Chip Multilayer Splitter/Combiner "FSLH-S130C"



C:2.0pF
R:100 ohm