

Digital transistors (built-in resistors)

●Features

- 1) Built-in bias resistors enable the configuration of an inverter circuit without connecting external input resistors (see equivalent circuit).
- 2) The bias resistors consist of thin-film resistors with complete isolation to allow negative biasing of the input. They also have the advantage of almost completely eliminating parasitic effects.
- 3) Only the on/off conditions need to be set for operation, making device design easy.

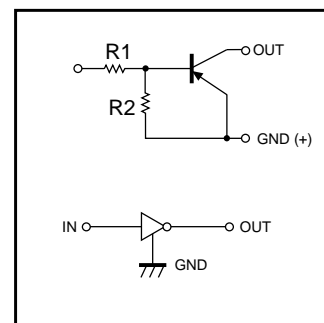
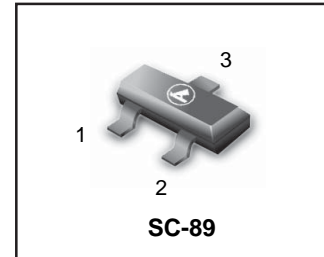
●Device marking

LDTA114EET1=6A

●Absolute maximum ratings (Ta=25°C)

| Parameter | Symbol | Value | Unit |
|----------------------|----------------------|----------|------|
| Supply voltage | V _{CC} | -50 | V |
| Input voltage | V _{IN} | -40~+10 | V |
| Output current | I _o | -50 | mA |
| | I _{c(Max.)} | -100 | mA |
| Power dissipation | P _d | 150 | mW |
| Junction temperature | T _J | 150 | °C |
| Storage temperature | T _{stg} | -55~+150 | °C |

LDTA114EET1



● Electrical characteristics (Ta=25°C)

| Parameter | Symbol | Min. | Typ. | Max. | Unit | Conditions |
|----------------------|--------------|------|------|-------|------------|------------------------------------|
| Input voltage | $V_{I(off)}$ | - | - | -0.5 | V | $V_{CC}=-5V, I_o=-100\mu A$ |
| | $V_{I(on)}$ | -3.0 | - | - | | $V_o=-0.3V, I_o=-2mA$ |
| Output voltage | $V_{O(on)}$ | - | -0.1 | -0.3 | V | $I_o/I_i=-10mA/-0.5mA$ |
| Input current | I_i | - | - | -0.88 | mA | $V_i=-5V$ |
| Output current | $I_{O(off)}$ | - | - | -0.5 | μA | $V_{CC}=-50V, V_i=0V$ |
| DC current gain | G_i | 30 | - | - | - | $V_o=-5V, I_o=-5mA$ |
| Input resistance | R_i | 7 | 10 | 13 | k Ω | - |
| Resistance ratio | R_2/R_1 | 0.8 | 1 | 1.2 | - | - |
| Transition frequency | f_T | - | 250 | - | MHz | $V_{CE}=-10V, I_E=5mA, f=100MHz$ * |

* Transition frequency of the device

● Electrical characteristic curves

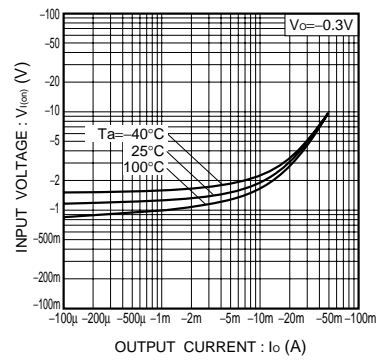


Fig.1 Input voltage vs. output current (ON characteristics)

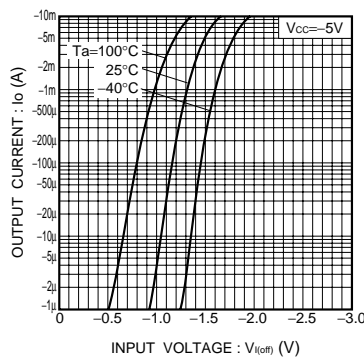


Fig.2 Output current vs. input voltage (OFF characteristics)

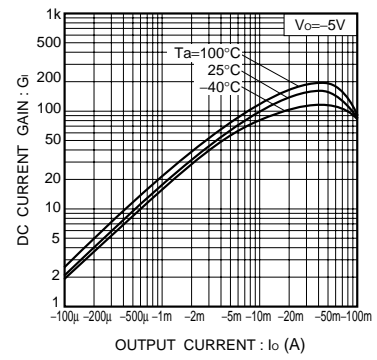


Fig.3 DC current gain vs. output current

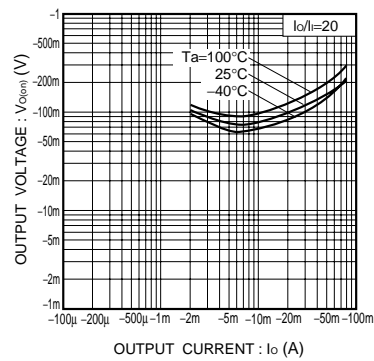
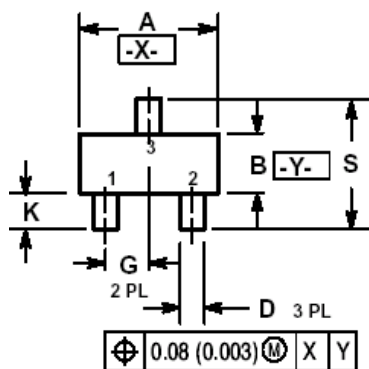
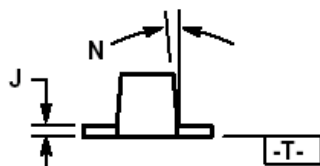
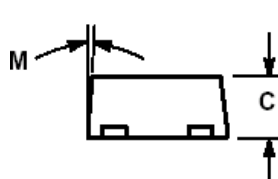


Fig.4 Output voltage vs. output current

SC-89



- NOTES:
1. DIMENSIONING AND TOLERANCING PER ANSI Y14.5M, 1982.
 2. CONTROLLING DIMENSION: MILLIMETERS
 3. MAXIMUM LEAD THICKNESS INCLUDES LEAD FINISH THICKNESS. MINIMUM LEAD THICKNESS IS THE MINIMUM THICKNESS OF BASE MATERIAL.
 4. 463C-01 OBSOLETE, NEW STANDARD 463C-02.



| DIM | MILLIMETERS | | | INCHES | | |
|-----|-------------|------|------|-----------|-------|-------|
| | MIN | NOM | MAX | MIN | NOM | MAX |
| A | 1.50 | 1.60 | 1.70 | 0.059 | 0.063 | 0.067 |
| B | 0.75 | 0.85 | 0.95 | 0.030 | 0.034 | 0.040 |
| C | 0.60 | 0.70 | 0.80 | 0.024 | 0.028 | 0.031 |
| D | 0.23 | 0.28 | 0.33 | 0.009 | 0.011 | 0.013 |
| G | 0.50 BSC | | | 0.020 BSC | | |
| H | 0.53 REF | | | 0.021 REF | | |
| J | 0.10 | 0.15 | 0.20 | 0.004 | 0.006 | 0.008 |
| K | 0.30 | 0.40 | 0.50 | 0.012 | 0.016 | 0.020 |
| L | 1.10 REF | | | 0.043 REF | | |
| M | --- | --- | 10 ° | --- | --- | 10 ° |
| N | --- | --- | 10 ° | --- | --- | 10 ° |
| S | 1.50 | 1.60 | 1.70 | 0.059 | 0.063 | 0.067 |

