

LD-301DYL1-B0

Features

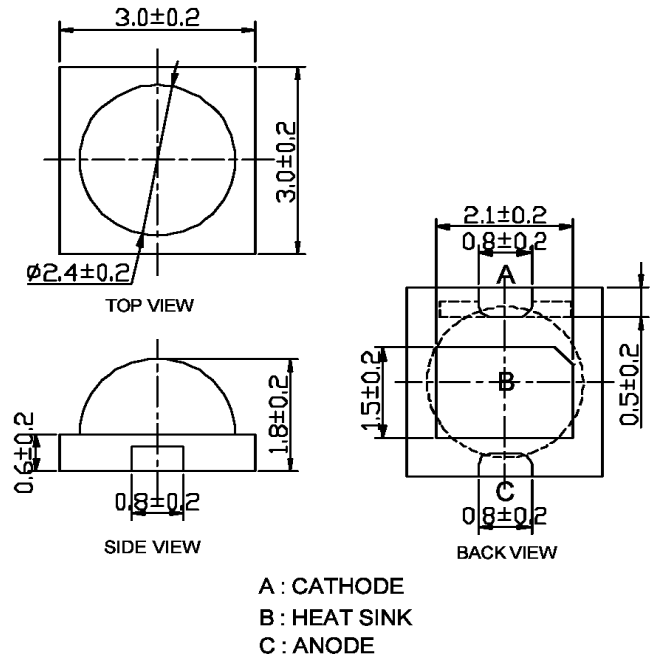
- Designed for High Current Operation
- Exposed Pad Design for Excellent Heat Transfer
- High Luminous Flux Output for Illumination
- Reflow Solderable
- Clear Compound Encapsulation

Maximum Ratings (Ta=25°C)

Characteristic	Symbol	Max.	Unit
Forward Current	I _F	100	mA
Reverse Voltage	V _R	5	V
Power Dissipation	P _D	280.00	mW
Operating Temperature	T _{opr}	-40 ~ +85	°C
Storage Temperature	T _{stg}	-40 ~ +85	°C
Soldering Temperature	T _{sol}	260	°C
Soldering Time	-	for 3 sec. max	-

Opto-Electrical Characteristics (Ta=25°C)

Characteristic	Symbol	Test Condition	Min	Typ	Max	Unit
Forward Voltage	V _F	I _F =100mA	-	2.80	3.20	V
Reverse Current	I _R	V _R =5V	-	-	10	μA
Luminous Intensity	I _v	I _F =100mA	5.00	7.00	-	lm
Viewing Angle	2θ ^{1/2}	-	-	110°	-	deg.
Peak Wavelength	λ _p	I _F =100mA	-	596	-	nm
Dominant Wavelength	λ _d	I _F =100mA	-	592	-	nm
Spectral Line Half Width	Δλ	I _F =100mA	-	13	-	nm



LD-301DYL1-B0 Graphs

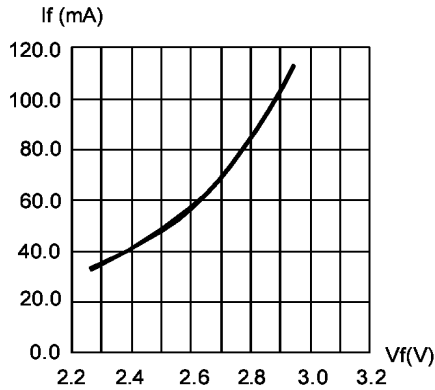


FIG.1 FORWARD CURRENT VS. FORWARD VOLTAGE.

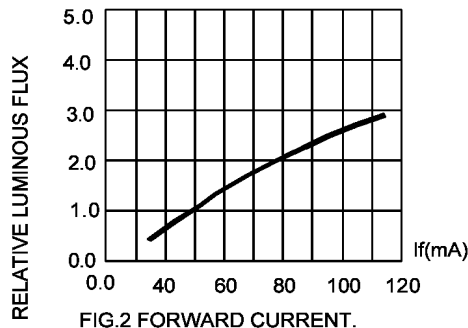


FIG.2 FORWARD CURRENT.

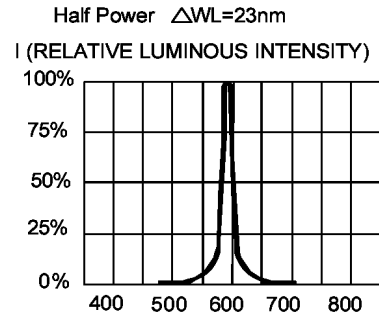


FIG.3 RELATIVE LUMINOUS FLUX VS. WAVELENGTH.

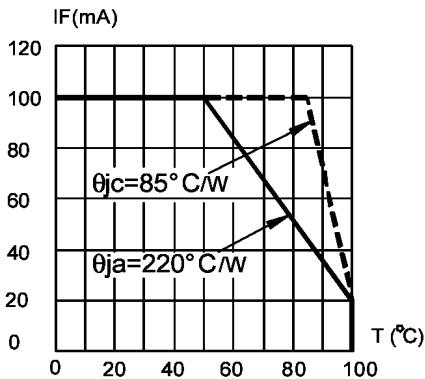


FIG.4 MAXIMUM FORWARD DC CURRENT VS TEMPERATURE DERATING BASED ON $T_{jmax}=110^{\circ}\text{C}$

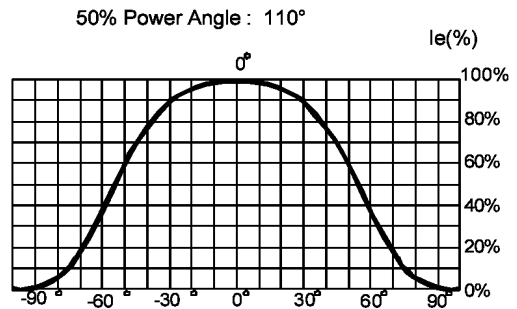


FIG.5 SPATIAL DISTRIBUTION.