

DOOR ACTUATOR DRIVER

DATA BRIEF

1 FEATURES

- One half bridge for 7.4A load ($r_{on} = 150m\Omega$)
- Two half bridges for 5A load ($r_{on} = 200m\Omega$)
- Two highside drivers for 1.25A load ($r_{on} = 800 m\Omega$)
- Programmable Softstart function to drive loads with higher inrush currents (i.e. current $>7.4A$, $>5A$, $>1.25A$)
- Very low current consumption in standby mode ($I_s < 3\mu A$, typ. $T_j \leq 85^\circ C$)
- All outputs short circuit protected
- Current monitor output for all highside drivers
- All outputs over temperature protected
- Open load diagnostic for all outputs
- Overload diagnostic for all outputs
- Programmable PWM control of all outputs
- Charge Pump output for reverse polarity protection

2 APPLICATION

- Rear Door Actuator Driver with bridges for door lock and safe lock and two 5W or 10W-light bulbs.

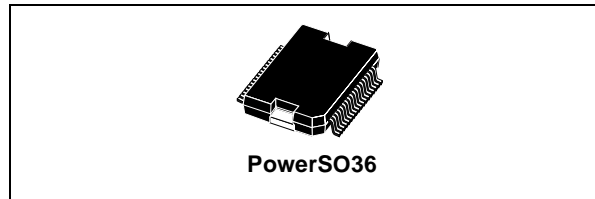


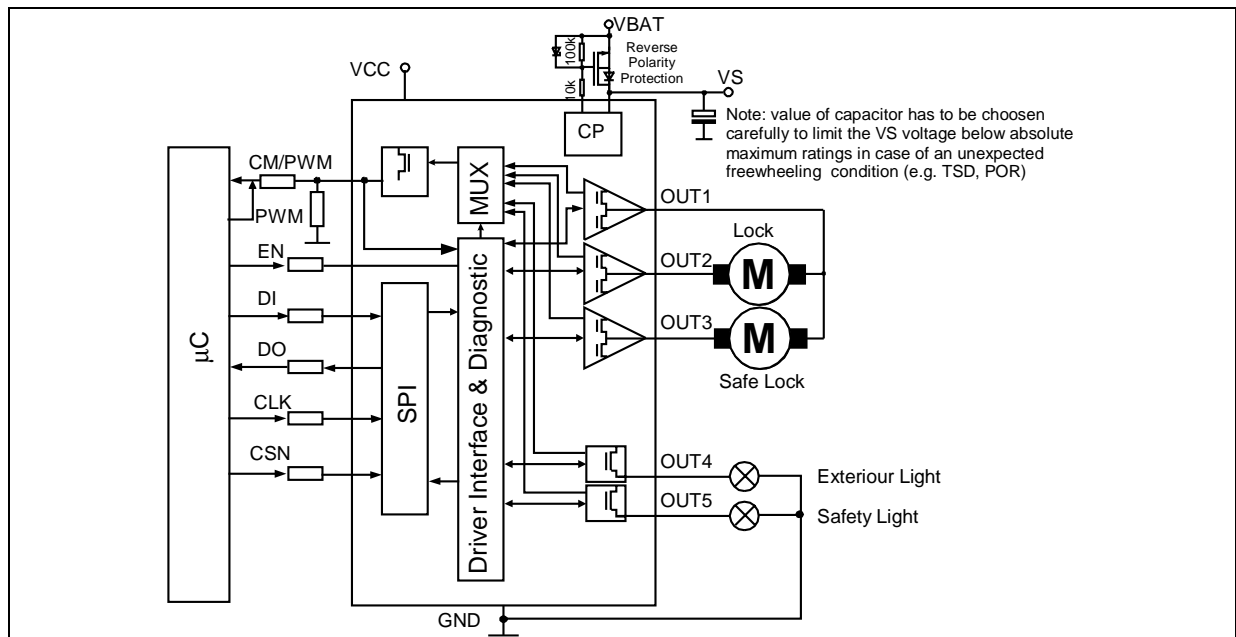
Table 1. Order Codes

Part Number	Package
L9951	PowerSO36

3 DESCRIPTION

The L9951 is a microcontroller driven multifunctional rear door actuator driver for automotive applications. Up to two DC motors and two grounded resistive loads can be driven with three half bridges and two highside drivers. The integrated standard serial peripheral interface (SPI) controls all operation modes (forward, reverse, brake and high impedance). All diagnostic informations are available via SPI.

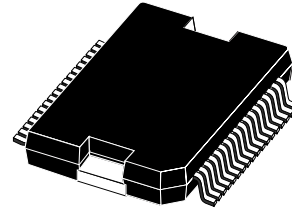
BLOCK DIAGRAM



DIM.	mm			inch		
	MIN.	TYP.	MAX.	MIN.	TYP.	MAX.
A	3.25		3.5	0.128		0.138
A2			3.3			0.13
A4	0.8		1	0.031		0.039
A5		0.2			0.008	
a1	0		0.075	0		0.003
b	0.22		0.38	0.008		0.015
c	0.23		0.32	0.009		0.012
D	15.8		16	0.622		0.630
D1	9.4		9.8	0.37		0.38
D2		1			0.039	
E	13.9		14.5	0.547		0.57
E1	10.9		11.1	0.429		0.437
E2			2.9			0.114
E3	5.8		6.2	0.228		0.244
E4	2.9		3.2	0.114		1.259
e		0.65			0.026	
e3		11.05			0.435	
G	0		0.075	0		0.003
H	15.5		15.9	0.61		0.625
h			1.1			0.043
L	0.8		1.1	0.031		0.043
N	10° (max)					
s	8° (max)					

Note: "D and E1" do not include mold flash or protusions.
 - Mold flash or protusions shall not exceed 0.15mm (0.006")
 - Critical dimensions are "a3", "E" and "G".

OUTLINE AND MECHANICAL DATA



PowerSO36

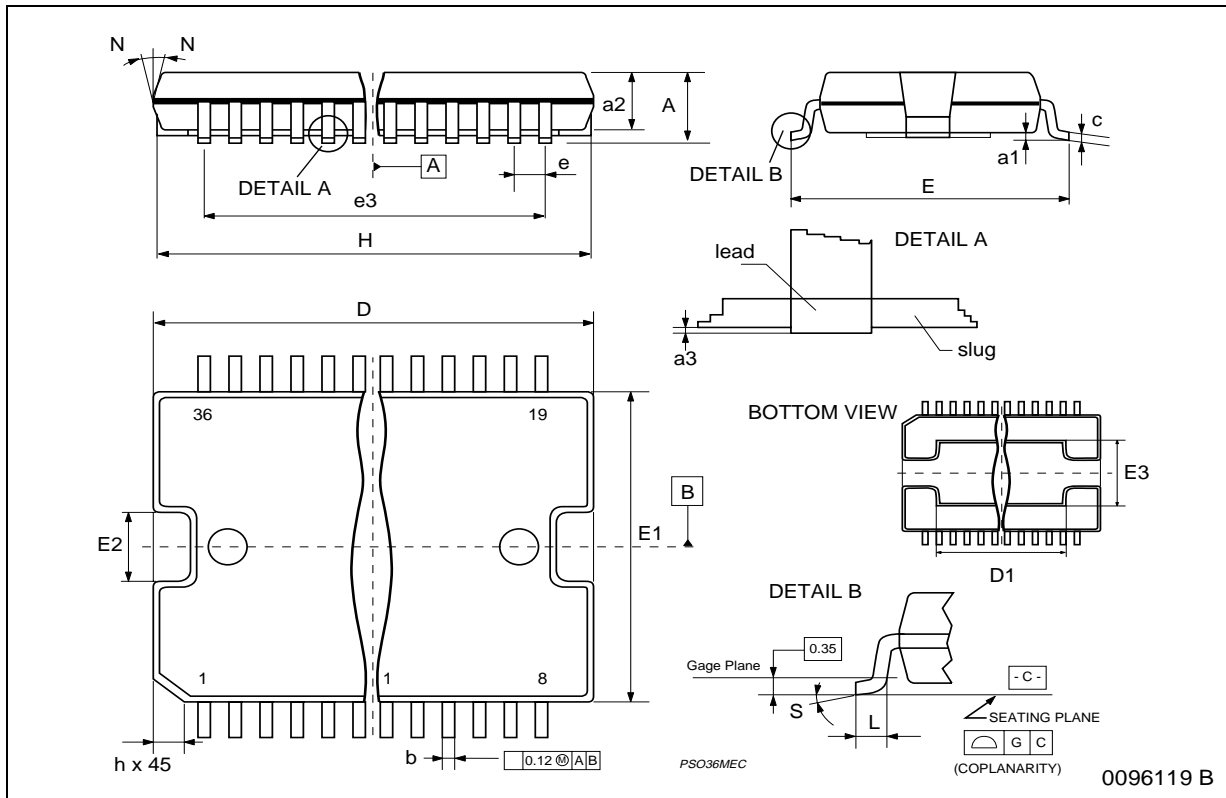


Table 2. Revision History

Date	Revision	Description of Changes
March 2004	1	First Issue
April 2004	2	Modified the style sheet following Design Guide last rev. rules.

Information furnished is believed to be accurate and reliable. However, STMicroelectronics assumes no responsibility for the consequences of use of such information nor for any infringement of patents or other rights of third parties which may result from its use. No license is granted by implication or otherwise under any patent or patent rights of STMicroelectronics. Specifications mentioned in this publication are subject to change without notice. This publication supersedes and replaces all information previously supplied. STMicroelectronics products are not authorized for use as critical components in life support devices or systems without express written approval of STMicroelectronics.

The ST logo is a registered trademark of STMicroelectronics.
All other names are the property of their respective owners

© 2004 STMicroelectronics - All rights reserved

STMicroelectronics GROUP OF COMPANIES

Australia - Belgium - Brazil - Canada - China - Czech Republic - Finland - France - Germany - Hong Kong - India - Israel - Italy - Japan -
Malaysia - Malta - Morocco - Singapore - Spain - Sweden - Switzerland - United Kingdom - United States

www.st.com