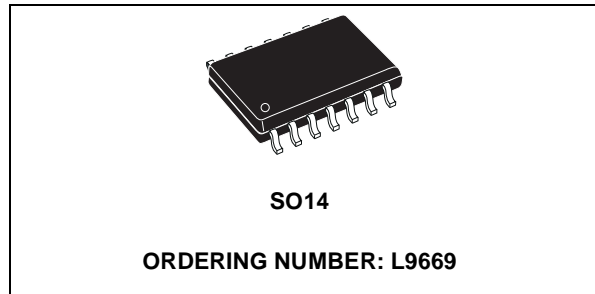


FAULT TOLERANT CAN TRANSCEIVER

- FAULT TOLERANT DIFFERENTIAL CAN TRANSCEIVER
- OPERATING SUPPLY VOLTAGE 6V TO 28V, TRANSIENTS UP TO 40V
- LOW QUIESCENT CURRENT IN STANDBY MODE (100 μ A) AND SLEEP MODE (37 μ A)
- ON CHIP DIAGNOSIS FOR ERRORS ON THE PHYSICAL BUSLINES WITH MICRO CONTROLLER INTERFACE
- OPTIMIZED EMI BEHAVIOUR DUE TO LIMITED AND SYMMETRIC SLOPES OF CAN SIGNALS
- AUTOMATIC SWITCHING TO SINGLE WIRE MODE UPON BUS FAILURES
- TWO-EDGE SENSITIVE WAKE-UP PIN
- SUPPORTS TRANSMISSION WITH GROUND SHIFT VOLTAGES:
SINGLE WIRE: 1.5V
DIFFERENTIAL WIRE: 3v
- AN UNPOWERED NODE OR UNSUFFICIENT



SUPPLIES DO NOT DISTURB THE BUS LINES

DESCRIPTION

The L9669 is an integrated circuit which contains a CAN physical line interface. It integrates all main local functions for automotive body electronic applications connected to a CAN bus.

Figure 1. Block Diagram

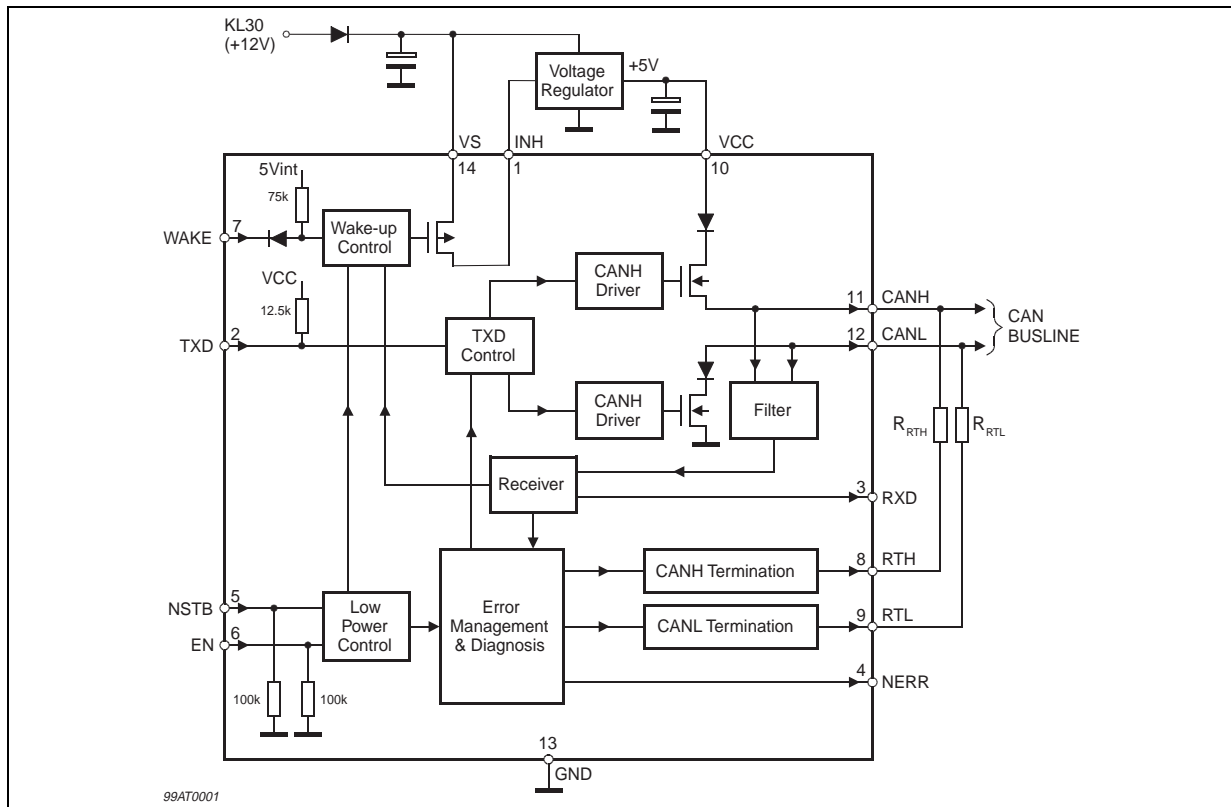


Figure 2. Pin Connection top view.

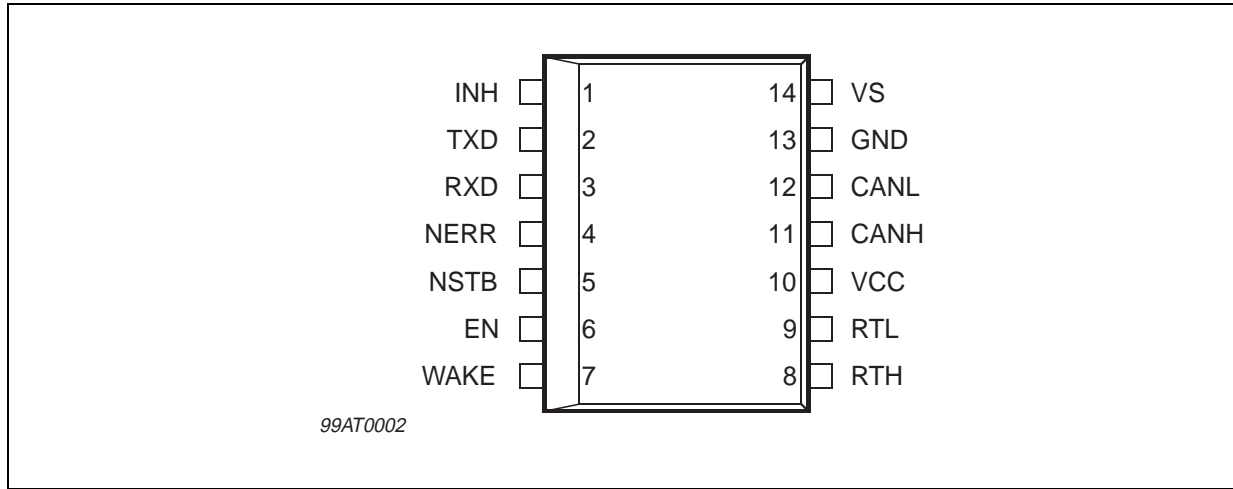


Table 1. Pin Functions

N°	Pin	Function
1	INH	Inhibit Output - for switching external 5V Regulator
2	TXD	Transmit Data Input - active LOW dominant Bit transmission
3	RXD	Receive Data Output - active LOW dominant Bit reception
4	NERR	Error/Diagnostic Output - active LOW error/Wake-up and Diagnostic output
5	NSTB	Not Standby Input - Digital control signal for low power modes
6	EN	Enable Input/Diagnostic Clock - Digital control signal for low power modes/Diagnostic clock
7	WAKE	Wake-Up Input - If level of V_{WAKE} changes the device initiates a wake-up from sleep mode by switching INH to VS
8	RTH	Termination Resistor for CANH - controlled by internal error management
9	RTL	Termination Resistor for CANL - controlled by internal error management
10	VCC	Supply Voltage Input - +5V
11	CANH	High Voltage Bus Line - High: dominant state
12	CANL	Low Voltage Bus Line - Low: dominant state
13	GND	Ground
14	VS	Battery Voltage Input - +12V

Table 2. Thermal Data

Symbol	Parameter	Value	Unit
$R_{thj-amb}$	Thermal resistance junction to ambient	120	°C/W

Table 3. Absolute Maximum Ratings

For externally applied voltages or currents exceeding these limits damage of the circuit may occur!

Symbol	Parameter	Value	Unit
V _{S-DC}	DC operating battery voltage	-0.3 to +28	V
V _{S-P}	Pulse operating battery voltage (t<400ms)	-0.3 to +40	V
V _{CC}	Supply voltage	-0.3 to +6	V
V _{CANH,L-DC}	DC voltage CANH, CANL	-28 to +40	V
V _X	Voltage TXD, RXD, NERR, NSTB, EN	-0.3 to V _{CC} +0.3	V
V _{WAKE}	Voltage WAKE	-0.3 to V _S +0.3	V
T _{STG}	Storage temperature	-55 to +150	°C
T _j	Operating junction temperature	-40 to +150	°C

Notes: 1. All pins of the IC are protected against ESD. The verification is performed according to MIL 883C, human body model with R = 1.5kΩ, C = 100pF and discharge voltage ±2kV, corresponding to a maximum discharge energy of 0.2mJ.

2. Voltage forced means voltage limited to specified values while current is not limited. Current forced means voltage unlimited but current limited to specified value.

Table 4. Electrical CharacteristicsV_{CC} = 4.75V to 5.25V, V_S = 6V to 28V, T_j = -40°C to 150°C unless otherwise specified.

Item	Symbol	Parameter	Test Condition	Min.	Typ.	Max.	Unit
1	Supplies						
1.1	I _{SSL}	Supply current in sleep mode (I _{SSL} = I _{VS})	V _{CC} = 0V, V _S = 14V		37	65	μA
1.2	I _{SSB}	Supply current in standby mode (I _{SSB} = I _{VS} + I _{VCC})	I _{INH} = 0		110	160	μA
1.3	I _{SND}	Supply current in normal mode (I _{SND} = I _{VS} + I _{VCC})	V _S = 14V, V _{TXD} = 0 (dominant state) no load at CAN			27	mA
2	CAN Line Interface						
2.1	V _{r-d}	Differential receiver recessive to dominant threshold V _{CANH} - V _{CANL}	No bus errors. V _{CC} = 5V	-3.50		-2.20	V
2.2	V _{d-r}	Differential receiver dominant to recessive threshold V _{CANH} - V _{CANL}	No bus errors. V _{CC} = 5V	-3.85		-2.5	V
2.3	V _{CANHr}	CANH recessive output voltage	V _{TXD} = V _{CC} R _{RTH} < 4kΩ			0.35	V
2.4	V _{CANHd}	CANH dominant output voltage	V _{TXD} = 0V I _{CANH} = -40mA	V _{CC} -1.4			V
2.5	V _{CANLr}	CANL recessive output voltage	V _{TXD} = V _{CC} R _{RTH} < 4kΩ	V _{CC} -0.2			V

Table 4. Electrical Characteristics (continued)

$V_{CC} = 4.75V$ to $5.25V$, $V_S = 6V$ to $28V$, $T_j = -40^{\circ}C$ to $150^{\circ}C$ unless otherwise specified.

Item	Symbol	Parameter	Test Condition	Min.	Typ.	Max.	Unit
2.6	V_{CANLd}	CANL dominant output voltage	$V_{TXD} = 0V$ $I_{CANL} = 40mA$			1.4	V
2.7	I_{CANH}	CANH output current	$V_{CANH} = 0V$ $V_{TXD} = 0V$	-160	-110	-70	mA
2.8	I_{CANL}	CANL output current	$V_{CANL} = 5V$ $V_{TXD} = 0V$	70	110	160	mA
2.9	I_{CANHI}	CANH leakage current	$V_{CANH} = 14V$ Sleep mode.		0		μA
2.10	I_{CANLI}	CANL leakage current	$V_{CANL} = 0V$ Sleep mode.		0		μA
2.11	V_{CANHWK}	CANH wake-up voltage	Sleep/standby mode.	1.2	1.9	2.7	V
2.12	V_{CANLWK}	CANL wake-up voltage	Sleep/standby mode.	2.4	3.1	3.8	V
2.13	V_{CANHS}	CANH single ended receiver threshold	Normal mode. $V_{CC} = 5V$	1.5	1.8	2.15	V
2.14	V_{CANLS}	CANL single ended receiver threshold	Normal mode. $V_{CC} = 5V$	2.7	3.1	3.4	V
2.15	V_{CANHOV}	CANH overvoltage detection threshold	Normal mode. $V_{CC} = 5V$		7.2		V
2.16	V_{CANLOV}	CANL overvoltage detection threshold	Normal mode. $V_{CC} = 5V$		7.2		V
2.17	t_{drd}	Propagation delay TXD to RXD recessive to dominant	10% to 90% $C_1 = C_2 = 3.3nF$ $R_1 = 100\Omega$		1	1.6	μs
2.18	t_{ddr}	Propagation delay TXD to RXD recessive to dominant	10% to 90% $C_1 = C_2 = 3.3nF$ $R_1 = 100\Omega$			2.2	μs
2.19	t_{rf}	CANH, CANL output rise/fall time dominant to recessive	10% to 90% $C_1 = C_2 = 3.3nF$ $R_1 = 100\Omega$		0.6	1.5	μs
2.20	t_{rf}	CANH, CANL output rise/fall time dominant to recessive	10% to 90% $C_1 = C_2 = 3.3nF$ $R_1 = 100\Omega$		2.6	6	μs
2.21	t_{wuCAN}	Minimum dominant time for wake-up on CANH or CANL	Sleep/standby mode.	8		44	μs
2.22	t_{wuWK}	Minimum pulse time for wake-up on WAKE	Sleep/standby mode	4		44	μs

Table 4. Electrical Characteristics (continued)

$V_{CC} = 4.75V$ to $5.25V$, $V_S = 6V$ to $28V$, $T_j = -40^{\circ}C$ to $150^{\circ}C$ unless otherwise specified.

Item	Symbol	Parameter	Test Condition	Min.	Typ.	Max.	Unit
3	Termination RTH, RTL						
3.1	R_{RTH}	Internal RTHto GND switch-on resistance	Normal mode. No errors. $V_{RTH} = 1V$		45		Ω
3.2	I_{RTH}	Internal RTHto GND pull down current	Normal mode. Error 3. $V_{RTH} = 1V$		75		μA
3.3	R_{RTL}	Internal RTLto VCC switch-on resistance	Normal mode. No errors. $V_{RTL} = V_{CC} - 1V$		45		Ω
3.4	I_{RTL}	Internal RTLto VCC pull up current	Normal mode. Error 4, 6 or 7. $V_{RTL} = V_{CC} - 1.5V$		-75		μA
3.5	R_{RTL-VS}	Internal RTLto VS termination resistance	Sleep/standby mode. $V_{RTL} = 1V, 5V$	8	13	26	$k\Omega$
3.6	V_{RTH}	RTH output voltage	Sleep/standby mode $I_{RTH} = 1mA$			1	V
3.7	$R_{RTH},$ RTL	External termination resistance		0.5		16	$k\Omega$
4	Input TXD						
4.1	V_{TXDh}	TXD high level input voltage		$V_{CC} - 0.9$		V_{CC}	V
4.2	V_{TXDI}	TXD low level input voltage		0		0.9	V
4.3	I_{TXDh}	TXD high level input current	$V_{TXD} = 4V$	-200		-25	μA
4.4	I_{TXDI}	TXD low level input current	$V_{TXD} = 1V$	-800		-100	μA
5	Outputs RXD, NERR						
5.1	V_{Xh}	High level output voltage		$V_{CC} - 0.9$		V_{CC}	V
5.2	V_{Xl}	Low level output voltage		0		0.9	V
6	Output INH						
6.1	V_{dropl}	High level voltage drop ($V_{dropl} = V_S - V_{INH}$)	$I_{INH} = -0.18mA$ Not sleep mode.			1	V
6.2	I_{ll}	Leakage current	$V_{INH} = 0V$ Sleep mode.	-5		5	μA

Table 4. Electrical Characteristics (continued)

$V_{CC} = 4.75V$ to $5.25V$, $V_S = 6V$ to $28V$, $T_j = -40^{\circ}C$ to $150^{\circ}C$ unless otherwise specified.

Item	Symbol	Parameter	Test Condition	Min.	Typ.	Max.	Unit
7	Inputs NSTB, EN						
7.1	V_{Xh}	High level input voltage		$V_{CC}-0.9$		V_{CC}	V
7.2	V_{Xl}	Low level input voltage		0		0.9	V
7.3	I_{Xh}	High level input current	$V_X = 4V$	10		150	μA
7.4	I_{Xl}	Low level input current	$V_X = 1V$	2		40	μA
8	Input WAKE						
8.1	V_{WAKEh}	WAKE high level input voltage		3		V_S	V
8.2	V_{WAKEl}	WAKE low level input voltage		0		0.9	V
9	Thermal shutdown						
9.1	T_{jsd}	Shutdown junction temperature			170		$^{\circ}C$
10	CAN Error detection						
10.1	$t_{fail38d}$	Error 3, 8 detection time	Normal/RXonly mode.	1.6		3.6	ms
10.2	$t_{fail46710d}$	Error 4, 6, 7, 10 detection time	Normal/RXonly mode.	0.4		1.6	ms
10.3	$t_{fail38r}$	Error 3, 8 recovery time	Normal/RXonly mode.	0.4		1.6	ms
10.4	$t_{fail47r}$	Error 4, 7 recovery time	Normal/RXonly mode.	10		50	μs
10.5	t_{fail6r}	Error 6 recovery time	Normal/RXonly mode.	0.2		0.75	ms
10.6	$t_{fail10r}$	Error 10 recovery time	Normal/RXonly mode.	0.7		4	μs
10.7	$t_{fail38ds}$	Error 3, 8 detection time	Sleep/standby mode.	1.6		3.6	ms
10.8	$t_{fail4rs}$	Error 4 recovery time	Sleep/standby mode.	0.4		1.6	ms
10.9	$t_{fail348rs}$	Error 3, 4, 8 recovery time	Sleep/standby mode.	0.4		1.6	ms
10.10	N_{edge-d}	Edge count difference between CANH and CANL for detection	Normal/RXonly mode. Error 1, 2, 5 or 9.		3		Edges
10.11	N_{edge-r}	Edge count difference between CANH and CANL for recovery	Normal/RXonly mode. Error 1, 2, 5 or 9.		3		Edges
10.12	t_{Dmax}	Diagnostic timeout		15		80	μs
10.13	t_{Hmin}	minimum hold time go to sleep				80	μs

1. FUNCTIONAL DESCRIPTION

The L9669 is a monolithic integrated circuit which provides all main functions for an automotive body CAN system. The device guarantees a clearly defined behavior in case of failure to avoid permanent CAN bus errors. It is primarily intended for low speed applications in passenger cars.

1.1 Transceiver

- Supports double wire unshielded busses
- Baud rates up to 125 kBaud
- Single wire operation possible (automatic switching to single wire upon bus failures)
- Bus not loaded in case of unpowered transceiver

The CAN transceiver stage is able to transfer serial data on two independent communication wires either differentially (normal operation) or in case of a single wire fault on the remaining line. The physical bitcoding is done using dominant (transmitter active) and overwritable recessive states. Too long dominant phases are detected internally and further transmission is automatically disabled (malfunction of protocol unit does not affect communication on the bus (“fail safe mechanism”)).

1.2 Modes of Operation

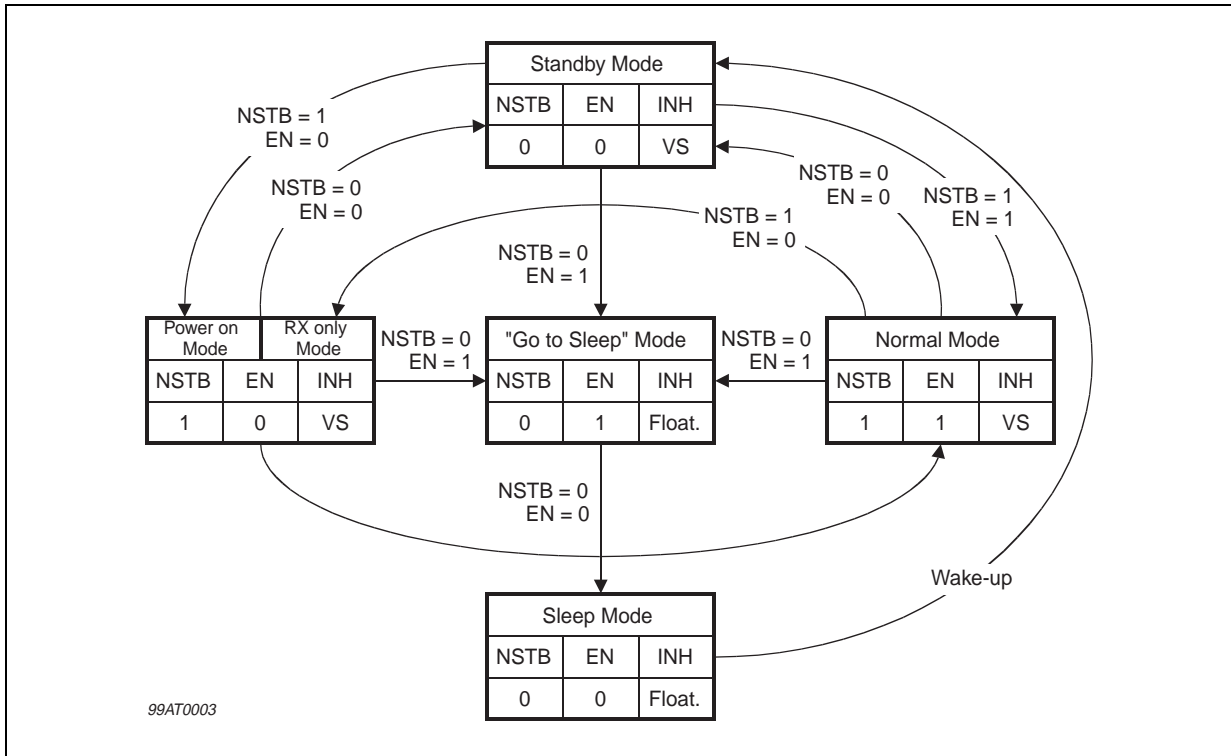
Five different functional modes exist to enable or establish the usage of low power or receive only operation.

NSTB	EN	Mode	INH	NERR	RXD	RTL
0	0	standby	VS	active LOW wake-up interrupt signal (if VCC is present)		switched to VS (typ. 13kΩ)
0	0	sleep	floating			
0	1	“go to sleep”				
1	1	normal	VS	active LOW error flag	HIGH=recessive LOW=dominant received data	switched to VCC
1	0	RXonly		active LOW VS power-on flag if VCC is present	active LOW wake-up interrupt signal if VCC is present	switched to VS
		Power on				

Note: Wake-up interrupts are released when entering RXonly or normal mode.

The following state diagram shows these modes and the possible state interactions depending on the input signals NSTB and EN.

Figure 3.



1.3 Error Management

Ten different errors on the physical buslines can be distinguished:

N	Type of Errors	Severity	
		RX	TX
Errors caused by damage of the datalines or isolation			
1	CANH wire interrupted (floating or tied to termination)	0	0
2	CANL wire interrupted (floating or tied to termination)	0	0
3	CANH short circuit to VS (overvoltage condition)	1	1
4	CANL short circuit to GND (permanently dominant)	2	0
5	CANH short circuit to GND (permanently recessive)	0	2
6	CANL short circuit to VS (overvoltage condition)	1	1
7	CANL shorted to CANH	2	2
Errors caused by misbehaviour of transceiver stage			
8	CANH short circuit to VCC (permanently dominant)	2	0
9	CANL short circuit to VCC (permanently recessive)	0	2
Errors caused by defective protocol unit			
10	CANH, CANL driven dominant for more than 1.3 ms	2	2

Not all of these errors leads to a breakdown of the whole communication. So the errors can be categorized into “negligible” (severity 0), “problematic” (severity 1) and “severe” (severity 2).

Negligible Errors

Transmitter

Error 1, 2, 4 or 8: In all cases data still can be transmitted in differential mode.

Receiver

Error 1, 2, 5 or 9: In all cases data still can be received in differential mode.

Problematic Errors

Transmitter

Error 3 or 6: Data are transmitted using the remaining dataline (single wire).

Receiver

Error 3 or 6: Data are received using the remaining dataline (single wire).

Severe Errors

Transmitter

Error 5 or 9: Data are transmitted using the remaining dataline after short circuit detection.

Error 7: Data are transmitted on CANH or CANL after overcurrent was detected.

Error 10: Transmission is terminated (fail safe).

Receiver

Error 7: Data are received on CANH or CANL after detection of permanent dominant state.

Error 4 or 8: Data are received on CANH or CANL after short circuit was detected.

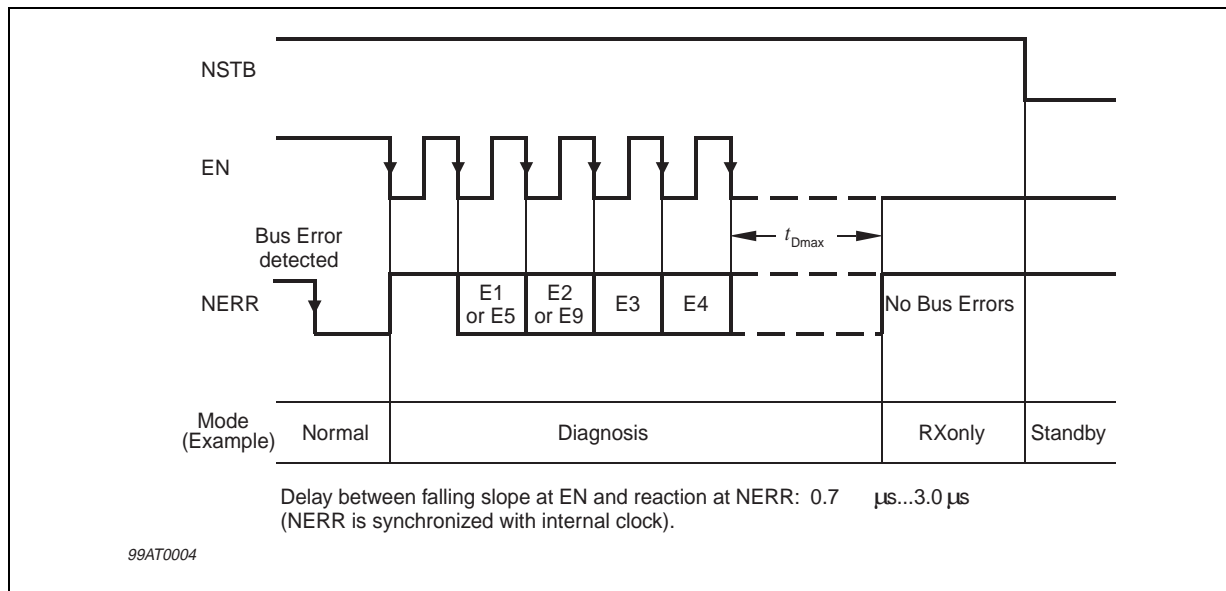
Error 10: Data are received normally, error is detected by protocol unit.

Upon any error in normal or RXonly mode the NERR output will be forced LOW and released after error recovery.

1.4 Diagnosis

A serial interface is available to retrieve diagnostic informations. Diagnostic data can be requested by using EN as serial clock and evaluating NERR.

Figure 4.



Readout is initialized by a negative edge on EN and acknowledged by NERR entering HIGH state. Following the next negative edge the first error status bit is displayed on NERR according to the data table below. If no edge on EN is detected for a time longer than t_{Dmax} diagnosis is disabled and operation continuous in the mode given by NSTB and EN with NERR showing bus errors or wake-up correspondingly. If the clock continues, the readout sequence starts over again with the initial bit set HIGH.

The following errors are displayable (sequence listed in chronological order):

- error status bit 1 (LSB): HIGH if Error 1 or 5
- error status bit 2: HIGH if Error 2 or 9
- error status bit 3: HIGH if Error 3
- error status bit 4: HIGH if Error 4
- error status bit 5: HIGH if Error 6
- error status bit 6: HIGH if Error 8
- error status bit 7: HIGH if Error 10
- error status bit 8: HIGH if Thermal shutdown of Transceiver

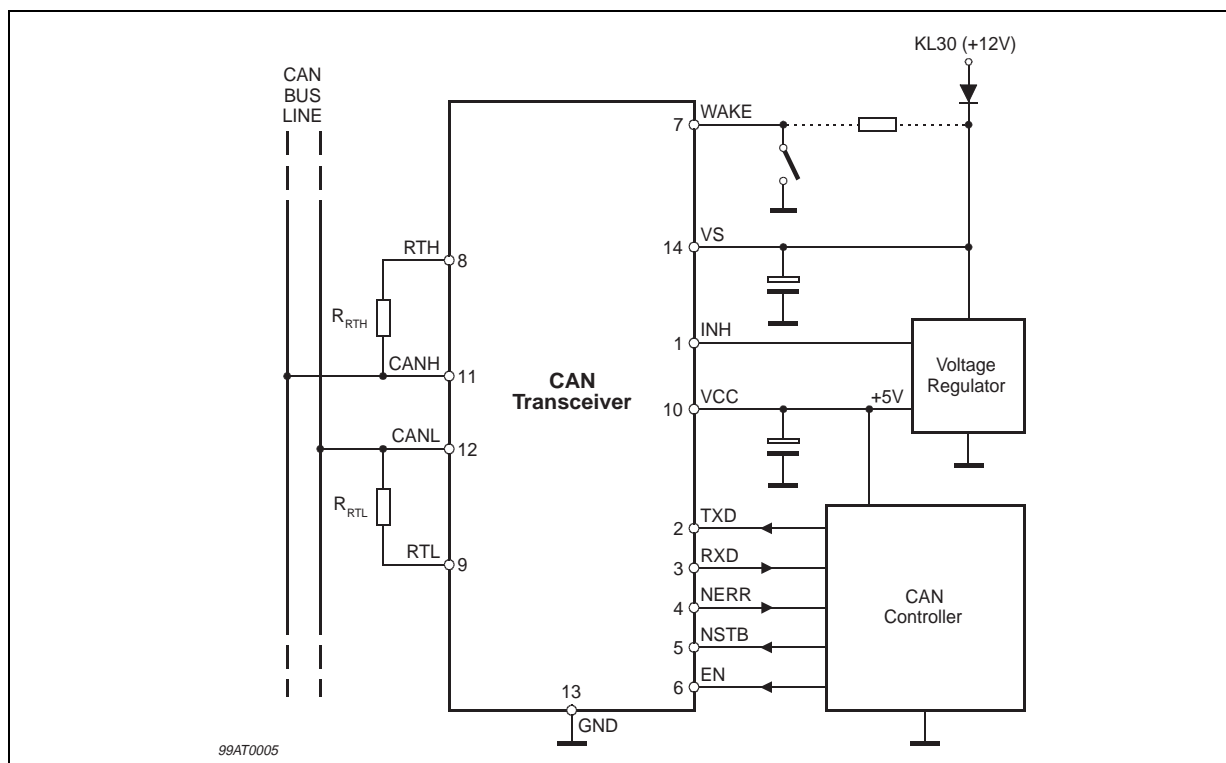
1.5 Protections

A current limiting circuit protects the transmitter outputs against short-circuit to battery, ground and shorted wires.

If the junction temperature exceeds a maximum value, the transmitter output stages are disabled.

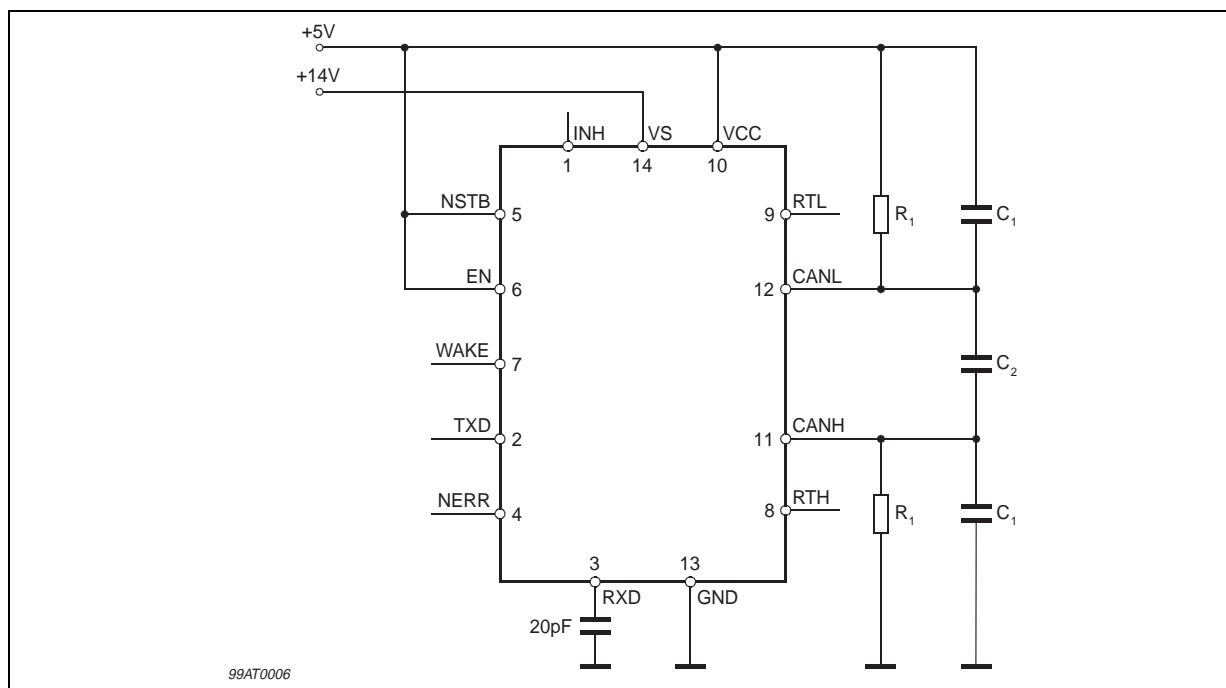
2. APPLICATION CIRCUIT DIAGRAM

Figure 5.



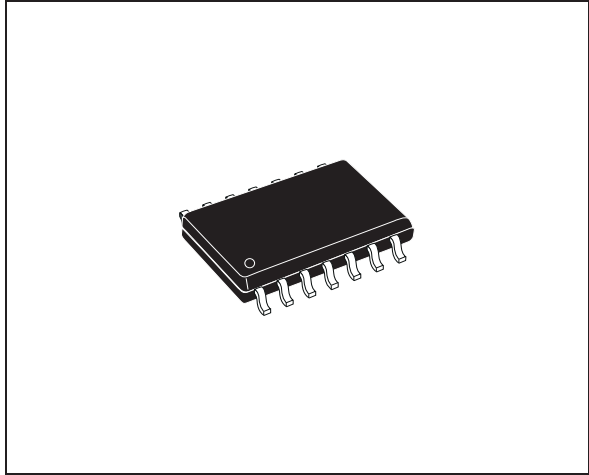
3. TEST CIRCUIT FOR DYNAMIC CHARACTERISTICS

Figure 6.



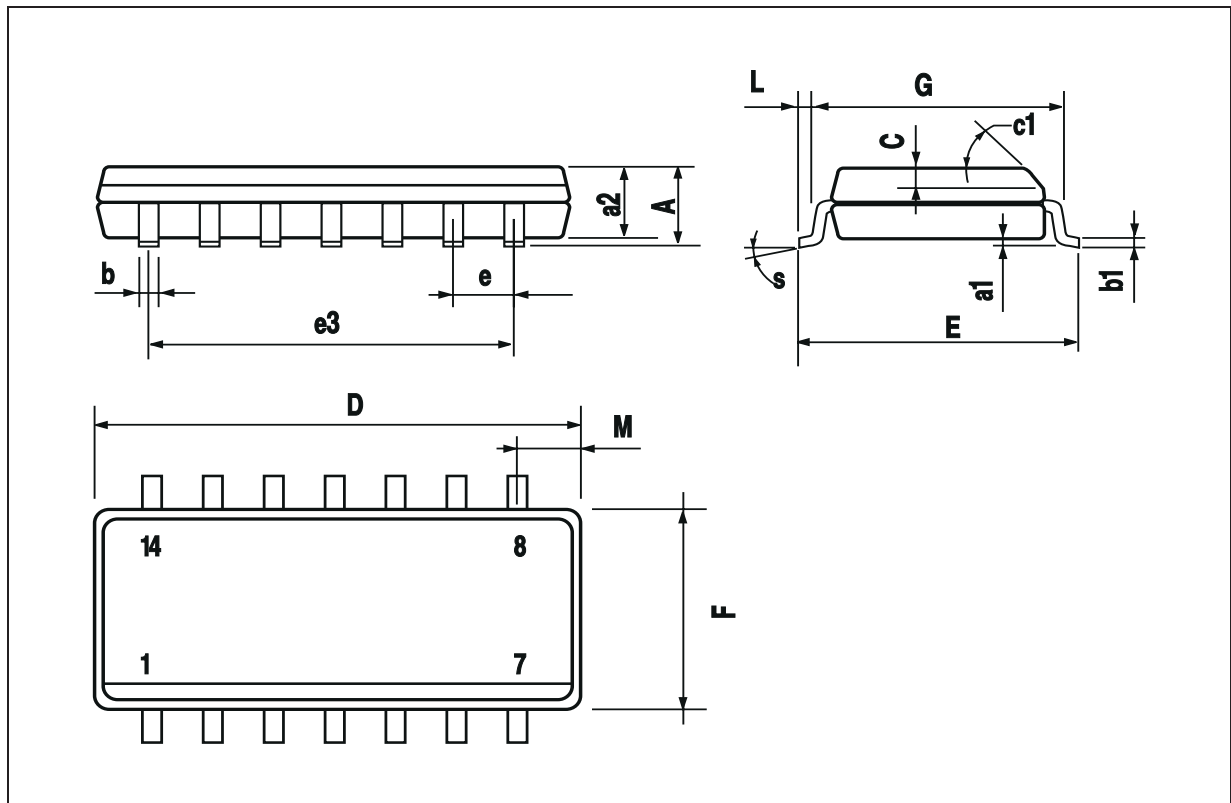
DIM.	mm			inch		
	MIN..	TYP.	MAX..	MIN..	TYP..	MAX..
A			1.75			0.069
a1	0.1		0.25	0.004		0.009
a2			1.6			0.063
b	0.35		0.46	0.014		0.018
b1	0.19		0.25	0.007		0.010
C		0.5			0.020	
c1	45° (typ.)					
D (1)	8.55		8.75	0.336		0.344
E	5.8		6.2	0.228		0.244
e		1.27			0.050	
e3		7.62			0.300	
F (1)	3.8		4	0.150		0.157
G	4.6		5.3	0.181		0.209
L	0.4		1.27	0.016		0.050
M			0.68			0.027
S	8° (max)					

OUTLINE AND MECHANICAL DATA



SO14

(1) D and F do not include mold flash or protrusions. Mold flash or protrusions shall not exceed 0.15mm (.006inch).



Information furnished is believed to be accurate and reliable. However, STMicroelectronics assumes no responsibility for the consequences of use of such information nor for any infringement of patents or other rights of third parties which may result from its use. No license is granted by implication or otherwise under any patent or patent rights of STMicroelectronics. Specifications mentioned in this publication are subject to change without notice. This publication supersedes and replaces all information previously supplied. STMicroelectronics products are not authorized for use as critical components in life support devices or systems without express written approval of STMicroelectronics.

The ST logo is a registered trademark of STMicroelectronics
© 2003 STMicroelectronics - All Rights Reserved

STMicroelectronics GROUP OF COMPANIES

Australia - Brazil - Canada - China - Finland - France - Germany - Hong Kong - India - Israel - Italy - Japan - Malaysia - Malta - Morocco -
Singapore - Spain - Sweden - Switzerland - United Kingdom - United States.

<http://www.st.com>