

Infrared LED

L2204/L2402/L3458 series

4-pin plastic package, infrared LED



Features

- High radiant output power
- High reliability
- Long life

Applications

- Optical switches
- Automatic control systems

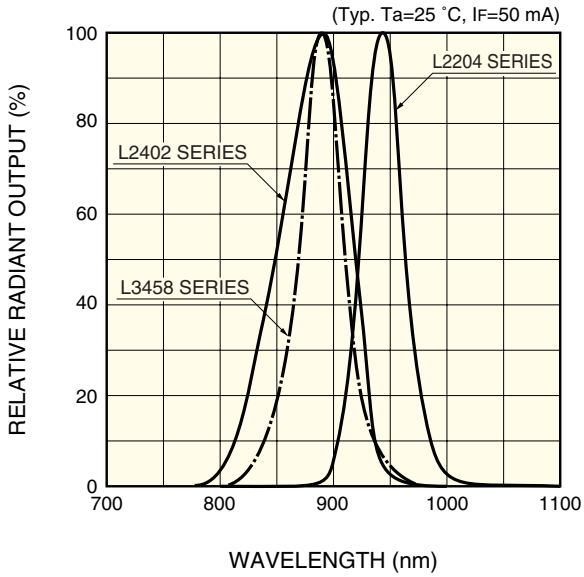
■ Absolute maximum ratings (Ta=25 °C)

Parameter	Symbol	Condition	Value	Unit
Forward current	I _F		65	mA
Reverse voltage	V _R		5	V
Pulse forward current	I _{FP}	Pulse width=10 μs Duty ratio=1 %	1.0	A
Operating temperature	T _{opr}		-25 to +85	°C
Storage temperature	T _{stg}		-30 to +100	°C

■ Electrical and optical characteristics (Ta=25 °C)

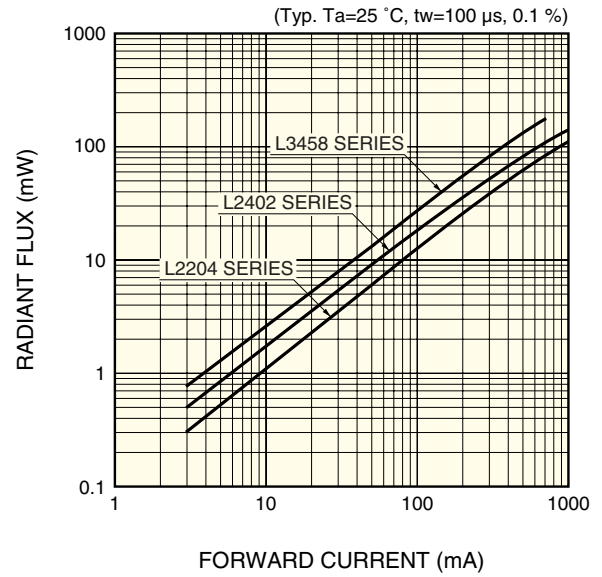
Parameter	Symbol	Condition	L2204/-01/-03			L2402/-01/-02			L3458/-01/-03			Unit
			Min.	Typ.	Max.	Min.	Typ.	Max.	Min.	Typ.	Max.	
Peak emission wavelength	λ _p	I _F =50 mA	920	945	970	870	890	920	870	890	920	nm
Spectral half width	Δλ	I _F =50 mA	-	45	-	-	80	-	-	50	-	nm
Forward voltage	V _F	I _F =50 mA	-	1.30	1.40	-	1.40	1.50	-	1.45	1.60	V
Pulse forward voltage	V _{FP}	I _F =1 A	-	2.3	2.6	-	2.8	3.4	-	3.4	4.0	V
Reverse current	I _R	V _R =5 V	-	-	5	-	-	5	-	-	5	μA
Radiant flux	φ _e	I _F =50 mA	4.0	6.0	-	7.0	9.0	-	9.0	13.0	-	mW
Radiant illuminance	P _E	I _F =50 mA	-	0.5	-	-	0.8	-	-	1.0	-	mW/cm ²
Rise time	t _r	I _F =50 mA, 10 to 90 %	-	1.2	2.0	-	0.45	0.7	-	0.45	0.7	μs
Fall time	t _f	I _F =50 mA, 90 to 10 %	-	1.3	2.0	-	0.45	0.7	-	0.45	0.7	μs

■ Emission spectrum



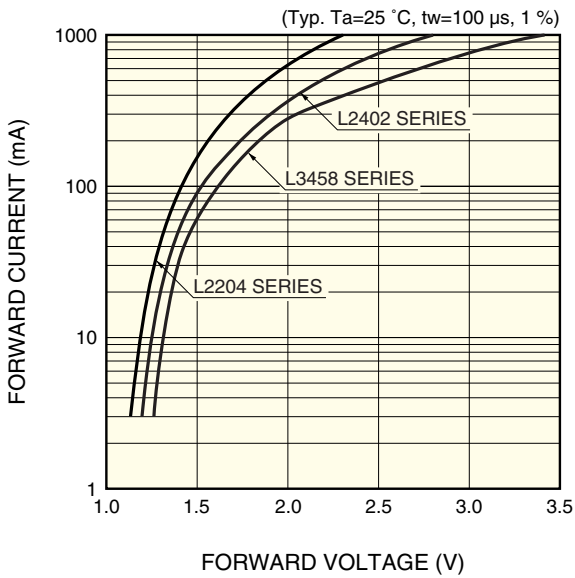
KLEDB0202EA

■ Radiant flux vs. forward current



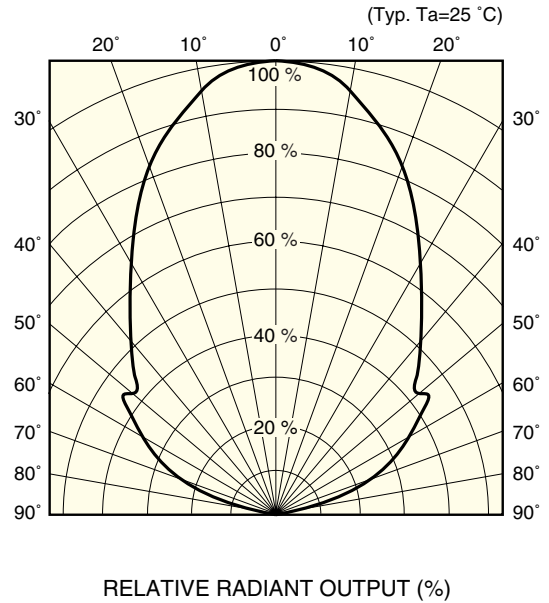
KLEDB0203EA

■ Forward current vs. forward voltage



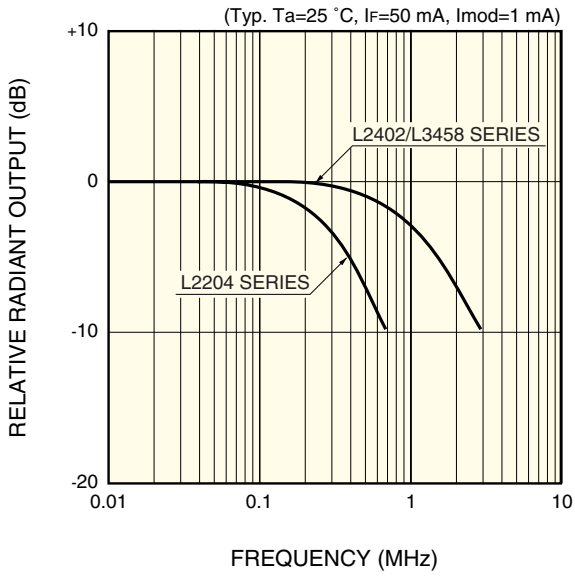
KLEDB0204EA

■ Directivity



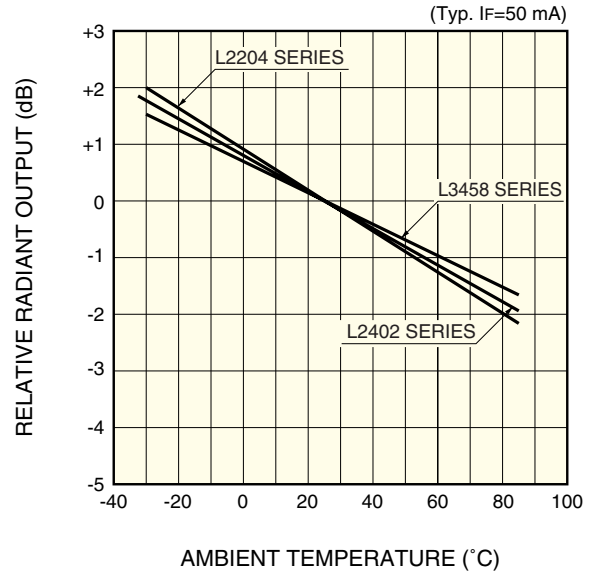
KLEDB0205EA

Frequency response



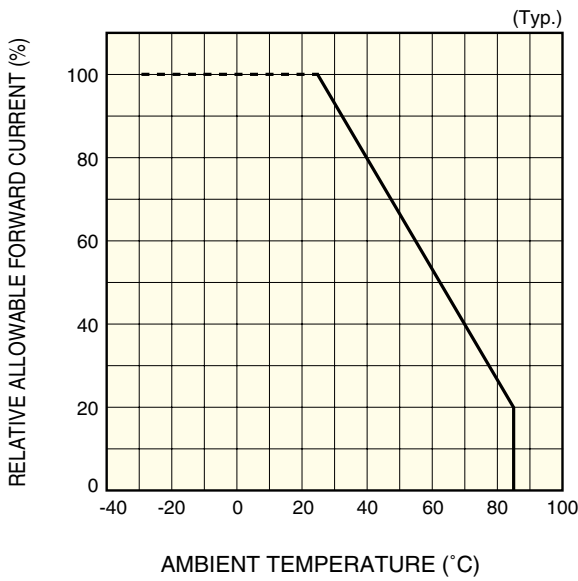
KLEDB0206EA

Radiant output vs. ambient temperature



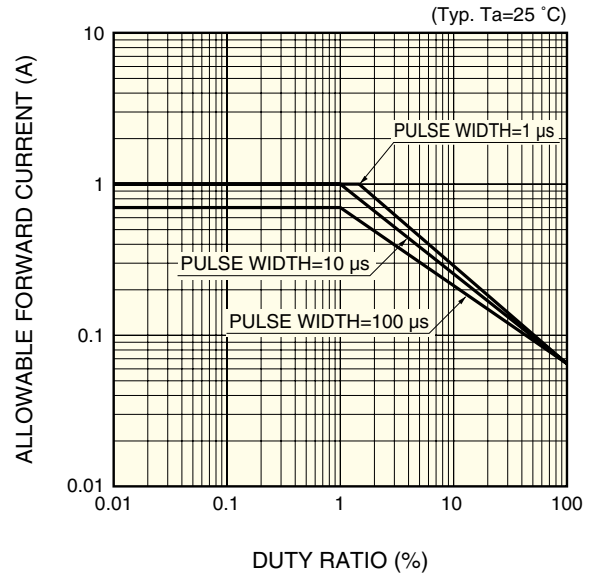
KLEDB0207EA

Allowable forward current vs. ambient temperature



KLEDB0027EB

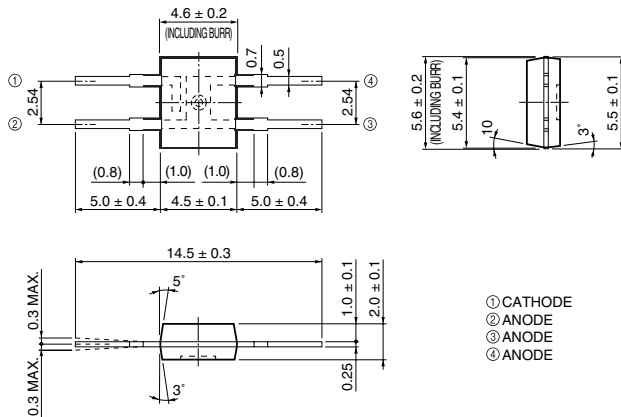
Allowable forward current vs. duty ratio



KLEDB0208EA

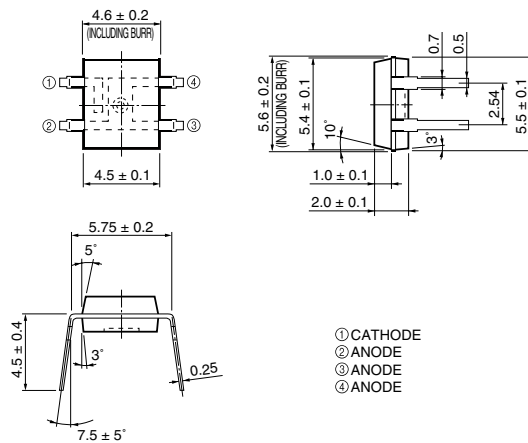
■ Dimensional outlines (unit: mm)

L2204, L2402, L3458



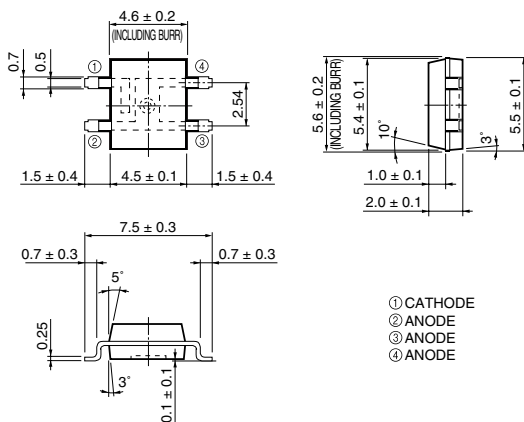
KLEDA0016EB

L2204-01, L2402-01, L3458-01



KLEDA0017EB

L2204-03, L2402-02, L3458-03



KLEDA0054EB

HAMAMATSU

Information furnished by HAMAMATSU is believed to be reliable. However, no responsibility is assumed for possible inaccuracies or omissions. Specifications are subject to change without notice. No patent rights are granted to any of the circuits described herein. ©2001 Hamamatsu Photonics K.K.

HAMAMATSU PHOTONICS K.K., Solid State Division

1126-1 Ichino-cho, Hamamatsu City, 435-8558 Japan, Telephone: (81) 053-434-3311, Fax: (81) 053-434-5184, <http://www.hamamatsu.com>

U.S.A.: Hamamatsu Corporation: 360 Foothill Road, P.O.Box 6910, Bridgewater, N.J. 08807-0910, U.S.A., Telephone: (1) 908-231-0960, Fax: (1) 908-231-1218

Germany: Hamamatsu Photonics Deutschland GmbH: Arzbergerstr. 10, D-82211 Herrsching am Ammersee, Germany, Telephone: (49) 08152-3750, Fax: (49) 08152-2658

France: Hamamatsu Photonics France S.A.R.L.: 8, Rue du Saule Trapu, Parc du Moulin de Massy, 91882 Massy Cedex, France, Telephone: 33-(1) 69 53 71 00, Fax: 33-(1) 69 53 71 10

United Kingdom: Hamamatsu Photonics UK Limited: 2 Howard Court, 10 Tewin Road, Welwyn Garden City, Hertfordshire AL7 1BW, United Kingdom, Telephone: (44) 1707-294888, Fax: (44) 1707-325777

North Europe: Hamamatsu Photonics Norden AB: Smidsvågen 12, SE-171 41 Solna, Sweden, Telephone: (46) 8-509-031-00, Fax: (46) 8-509-031-01

Italy: Hamamatsu Photonics Italia S.R.L.: Strada della Moia, 1/E, 20020 Arese, (Milano), Italy, Telephone: (39) 02-935-81-733, Fax: (39) 02-935-81-741