

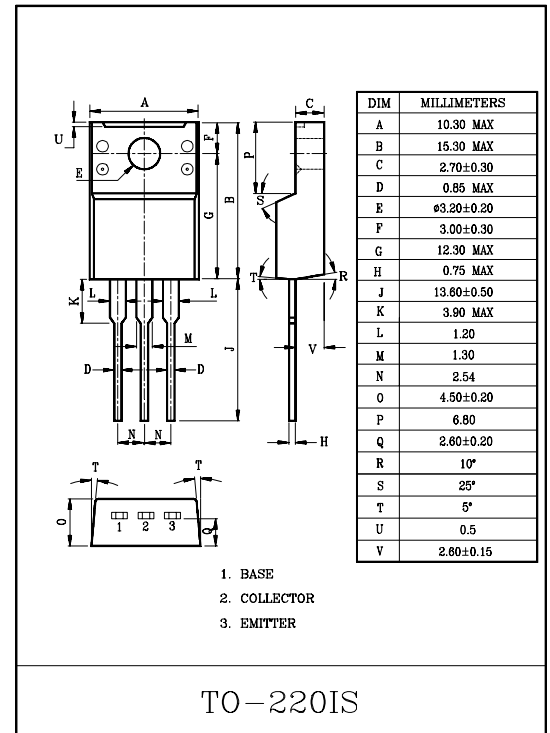
SWITCHING APPLICATIONS.  
HAMMER DRIVER, PULSE MOTOR DRIVER  
APPLICATIONS.

### FEATURES

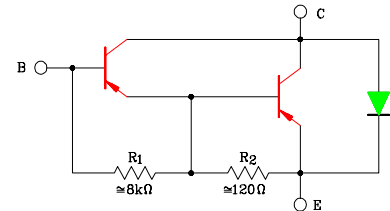
- High DC Current Gain :  $h_{FE}=1000(\text{Min.})$  at  $V_{CE}=-3V, I_C=-3A$ .
- High Collector Breakdown Voltage :  $V_{CEO}=-120V$  (Min.)
- Complementary to KTD1413.

### MAXIMUM RATINGS ( $T_a=25^\circ\text{C}$ )

CHARACTERISTIC		SYMBOL	RATING	UNIT
Collector-Base Voltage		$V_{CBO}$	-120	V
Collector-Emitter Voltage		$V_{CEO}$	-120	V
Emitter-Base Voltage		$V_{EB0}$	-5	V
Collector Current	DC	$I_C$	-5	A
	Pules		-8	
Base Current		$I_B$	-0.12	A
Collector Power Dissipation ( $T_c=25^\circ\text{C}$ )		$P_C$	30	W
Junction Temperature		$T_j$	150	$^\circ\text{C}$
Storage Temperature Range		$T_{stg}$	-55~150	$^\circ\text{C}$



### EQUIVALENT CIRCUIT



### ELECTRICAL CHARACTERISTICS ( $T_a=25^\circ\text{C}$ )

CHARACTERISTIC	SYMBOL	TEST CONDITION	MIN.	TYP.	MAX.	UNIT
Collector Cut-off Current	$I_{CBO}$	$V_{CB}=-100V, I_E=0$	-	-	-1	mA
Emitter Cut-off Current	$I_{EBO}$	$V_{BE}=-5V, I_C=0$	-	-	-2	mA
Collector-Emitter Breakdown Voltage	$V_{CEO}$	$I_C=-10mA, I_B=0$	-120	-	-	V
DC Current Gain	$h_{FE}(1)$	$V_{CE}=-3V, I_C=-0.5A$	1000	-	-	
	$h_{FE}(2)$	$V_{CE}=-3V, I_C=-3A$	1000	-	-	
Collector-Emitter Saturation Voltage	$V_{CE(sat) 1}$	$I_C=-3A, I_B=-12mA$	-	-	-2	V
	$V_{CE(sat) 2}$	$I_C=-5A, I_B=-20mA$	-	-	-4	
Base-Emitter Voltage	$V_{BE}$	$V_{CE}=-3V, I_C=-3A$	-	-	-2.5	V
Output Capacitance	$C_{ob}$	$V_{CB}=-10V, I_E=0, f=1MHz$	-	-	300	pF

