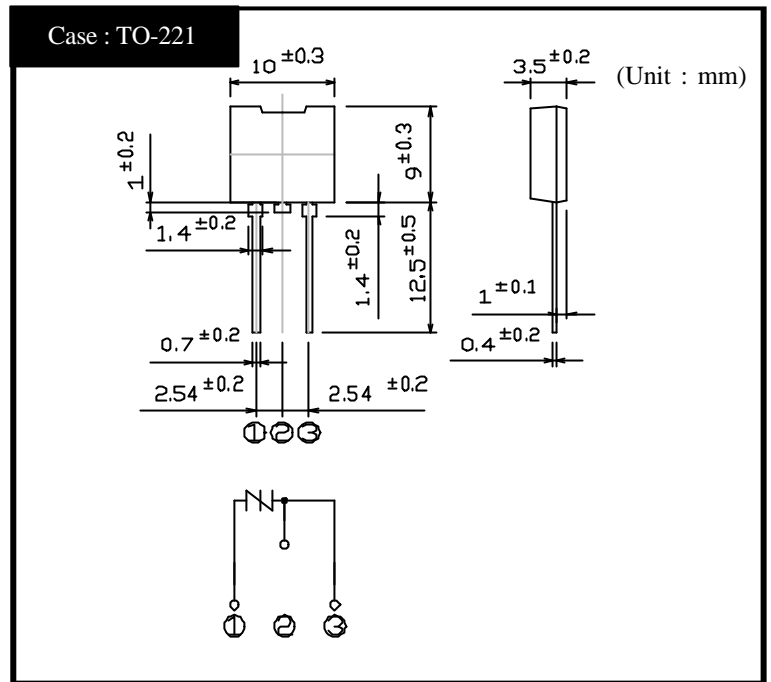


# SHINDENGEN

## TSS KT Series

**KT40N14**

### OUTLINE DIMENSIONS



### RATINGS

#### Absolute Maximum Ratings

Item	Symbol	Conditions	Ratings	Unit
Storage Temperature	T <sub>stg</sub>		-40 ~ 125	
Junction Temperature	T <sub>j</sub>		125	
Maximum Off-State Voltage	V <sub>DRM</sub>		120	V
Surge On-State Current	I <sub>TSM</sub>	10/1000 μ s, Non-repetitive	400	A
		15/100 μ s, Non-repetitive	1000	

#### Electrical Characteristics (T<sub>I</sub>=25 °C)

Item	Symbol	Conditions	Ratings	Unit
Breakover Voltage	V <sub>BO</sub>	Pulse measurement (Peak hold)	Min 130	V
Off-State Current	I <sub>DRM</sub>	V <sub>D</sub> = V <sub>DRM</sub>	Max 10	μ A
Holding Current	I <sub>H</sub>	Pulse measurement	Min 200	mA
On-State Voltage	V <sub>T</sub>	I <sub>T</sub> = 2A	TYP 1.8	V
Junction Capacitance	C <sub>j</sub>	f = 1kHz OSC = 1V, V <sub>D</sub> = 50V	Max 300	pF
Clamping Voltage	V <sub>CL</sub>	dv/dt = 100V/ μ s	Max 195	V