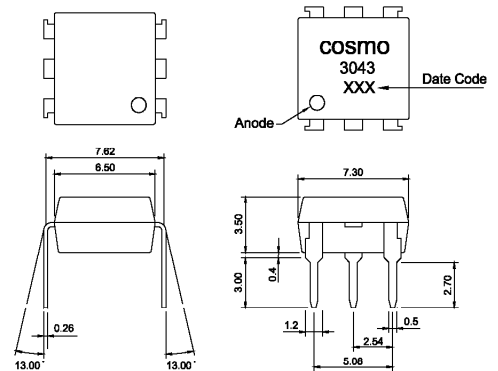


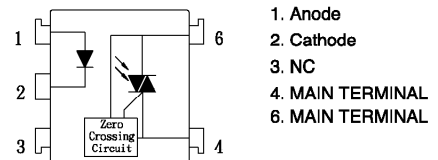
For 115/240 Vac (rms) Application:

1. Solenoid/Valve Controls.
2. Lighting Controls.
3. Static Power Switches.
4. AC Motor Drives.
5. Temperature Controls.
6. E. M. Contactors.
7. AC Motor Staters.
8. Solid State Relays.

Outside Dimension:Unit (mm)



Schematic:Top View



Absolute Maximum Ratings

(Ta=25°C)

Parameter	Symbol	Rating	Unit
Input	Forward current	IF	50 mA
	Peak forward current	IFM	1 A
	Reverse voltage	VR	6 V
	Power dissipation	Pd	70 mW
Output	Off-State Output Terminal voltage	VDRM	400 Vpeak
	Peak Repetitive Surget Current	ITSM	1 A
	Power dissipation	Pd	300 mW
Total power dissipation	Ptot	330 mW	
Isolation voltage 1 minute	Viso	5000 Vrms	
Operating temperature	Topr	-40 to +80 °C	
Storage temperature	Tstg	-40 to +125 °C	
Soldering temperature 10 seconds	Tsol	260 °C	

Electro-optical Characteristics

(Ta=25°C)

Parameter	Symbol	Conditions	MIN.	TYP.	MAX.	Unit
Input	Forward voltage	IF=10mA	—	1.2	1.4	V
	Reverse Leakage Current	VR=4V	—	—	10	µA
Output	Peak Blocking Current	VDRM=Rated	—	60	500	nA
	ON-State Voltage	ITM=100mA	—	1.8	3	V
	Critical rate of rise of OFF-state voltage	VDRM=(1/√2) * Rated	600	—	—	V/µS
Transfer characteristics	Holding Current		—	100	—	µA
	Inhibit Voltage (MT1-MT2 Voltage above which device not trigger.)	IF=5mA	—	5	20	V
	Leakage in Inhibited State	IF=Rated IF, Rated VDRM, Off State	—	—	500	µA
	Isolation resistance	DC500V	5x10 ¹⁰	10 ¹¹	—	ohm
	Minimum trigger current	Main Terminal Voltage=3V	IFT	—	—	5

