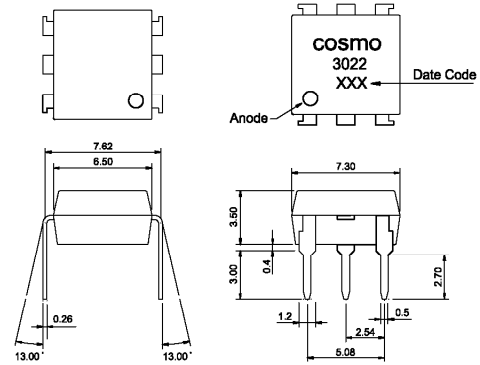


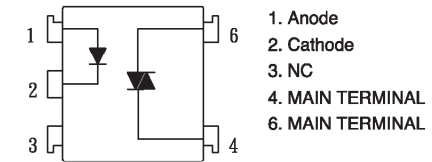
For 115/240 Vac (rms) Application:

1. Solenoid/Valve Controls
2. Lighting Controls
3. Static Power Switches
4. Ac Motor Drives
5. Temperature Controls
6. E.M. Contactors
7. Ac Motor Starters
8. Solid State Relays
9. Available package : DIP/ SMD/ H.

Outside Dimension : Unit (mm)



Schematic : Top View



Absolute Maximum Ratings

(Ta=25°C)

| Parameter | Symbol | Rating | Unit |
|----------------------------------|-----------------------------------|----------------|-----------|
| Input | Forward current | IF | 50 mA |
| | Peak forward current | IFM | 1 V |
| | Reverse voltage | VR | 6 V |
| | Power dissipation | PD | 70 mW |
| Output | Off-State Output Terminal voltage | VDRM | 400 Vpeak |
| | Peak Repetitive Surget Current | ITSM | 1 V |
| | Power dissipation | PD | 300 mW |
| Total power dissipation | Ptot | 330 mW | |
| Isolation voltage 1 minute | Viso | 5000 Vrms | |
| Operating temperature | Topr | -40 to +80 °C | |
| Storage temperature | Tstg | -40 to +125 °C | |
| Soldering temperature 10 seconds | Tsol | 260 °C | |

Electro-optical Characteristics

(Ta=25°C)

| Parameter | Symbol | Conditions | MIN. | TYP. | MAX. | Unit |
|--------------------------|--|---------------------------|--------------------|------------------|------------------|------|
| Input | Forward voltage | IF=10mA | — | 1.2 | 1.4 | V |
| | Peak forward voltage | IFM=0.5A | — | — | 3.5 | V |
| | Reverse Leakage Current | VR=4V | — | — | 10 | uA |
| Output | Peak Blocking Current | VDRM=Rated | — | — | 10 ⁻⁷ | A |
| | ON-State Voltage | ITM=100mA | — | 1.6 | 3 | V |
| Transfer characteristics | Holding Current | | — | 100 | — | uA |
| | Critical rate of rise of OFF-state voltage | VDRM= (1/√2) *Rated | 600 | — | — | V/uS |
| | Isolation resistance | DC500V | 5x10 ¹⁰ | 10 ¹¹ | — | ohm |
| | Minimum trigger current | Main Terminal Voltage=3V | — | — | 10 | mA |
| | Turn-on time | VD=6v, RL=100ohm, IF=20mA | — | — | 100 | uS |

