

4Byte 16Mx36 SIMM

(16Mx4 & 16Mx1 base)

Revision 0.0

June 1999

Revision History

Version 0.0 (June 1999)

- The 4th. generation of 64Mb DRAM components are applied for this module.

KMM53616000CK/CKG Fast Page Mode

16M x 36 DRAM SIMM Using 16Mx4 & 16Mx1, 4K Refresh, 5V

GENERAL DESCRIPTION

The Samsung KMM53616000C is a 16Mx36bits Dynamic RAM high density memory module. The Samsung KMM53616000C consists of eight CMOS 16Mx4bits DRAMs and four CMOS 16Mx1bit DRAMs in SOJ packages mounted on a 72-pin glass-epoxy substrate. A 0.1 or 0.22uF decoupling capacitor is mounted on the printed circuit board for each DRAM. The KMM53616000C is a Single In-line Memory Module with edge connections and is intended for mounting into 72 pin edge connector sockets.

PERFORMANCE RANGE

Speed	tRAC	tCAC	tRC	tPC
-5	50ns	13ns	90ns	35ns
-6	60ns	15ns	110ns	40ns

FEATURES

- Part Identification
 - KMM53616000CK(4K cycles/64ms Ref, SOJ, Solder)
 - KMM53616000CKG(4K cycles/64ms Ref, SOJ, Gold)
- Fast Page Mode Operation
- CAS-before-RAS & Hidden Refresh capability
- RAS-only refresh capability
- TTL compatible inputs and outputs
- Single +5V±10% power supply
- JEDEC standard PDpin & pinout
- PCB : Height(1250mil), double sided component

PIN CONFIGURATIONS

Pin	Symbol	Pin	Symbol
1	Vss	37	DQ17
2	DQ0	38	DQ35
3	DQ18	39	<u>Vss</u>
4	DQ1	40	<u>CAS0</u>
5	DQ19	41	<u>CAS2</u>
6	DQ2	42	<u>CAS3</u>
7	DQ20	43	<u>CAS1</u>
8	DQ3	44	<u>RAS0</u>
9	DQ21	45	NC
10	Vcc	46	<u>NC</u>
11	NC	47	<u>W</u>
12	A0	48	NC
13	A1	49	DQ9
14	A2	50	DQ27
15	A3	51	DQ10
16	A4	52	DQ28
17	A5	53	DQ11
18	A6	54	DQ29
19	A10	55	DQ12
20	DQ4	56	DQ30
21	DQ22	57	DQ13
22	DQ5	58	DQ31
23	DQ23	59	Vcc
24	DQ6	60	DQ32
25	DQ24	61	DQ14
26	DQ7	62	DQ33
27	DQ25	63	DQ15
28	A7	64	DQ34
29	A11	65	DQ16
30	Vcc	66	NC
31	A8	67	PD1
32	A9	68	PD2
33	<u>NC</u>	69	PD3
34	<u>RAS2</u>	70	PD4
35	DQ26	71	NC
36	DQ8	72	Vss

PIN NAMES

Pin Name	Function
A0 - A11	Address Inputs
DQ0 - DQ35	Data In/Out
<u>W</u>	Read/Write Enable
<u>RAS0</u> , <u>RAS2</u>	Row Address Strobe
<u>CAS0</u> - <u>CAS3</u>	Column Address Strobe
PD1 -PD4	Presence Detect
Vcc	Power(+5V)
Vss	Ground
NC	No Connection

PRESENCE DETECT PINS (Optional)

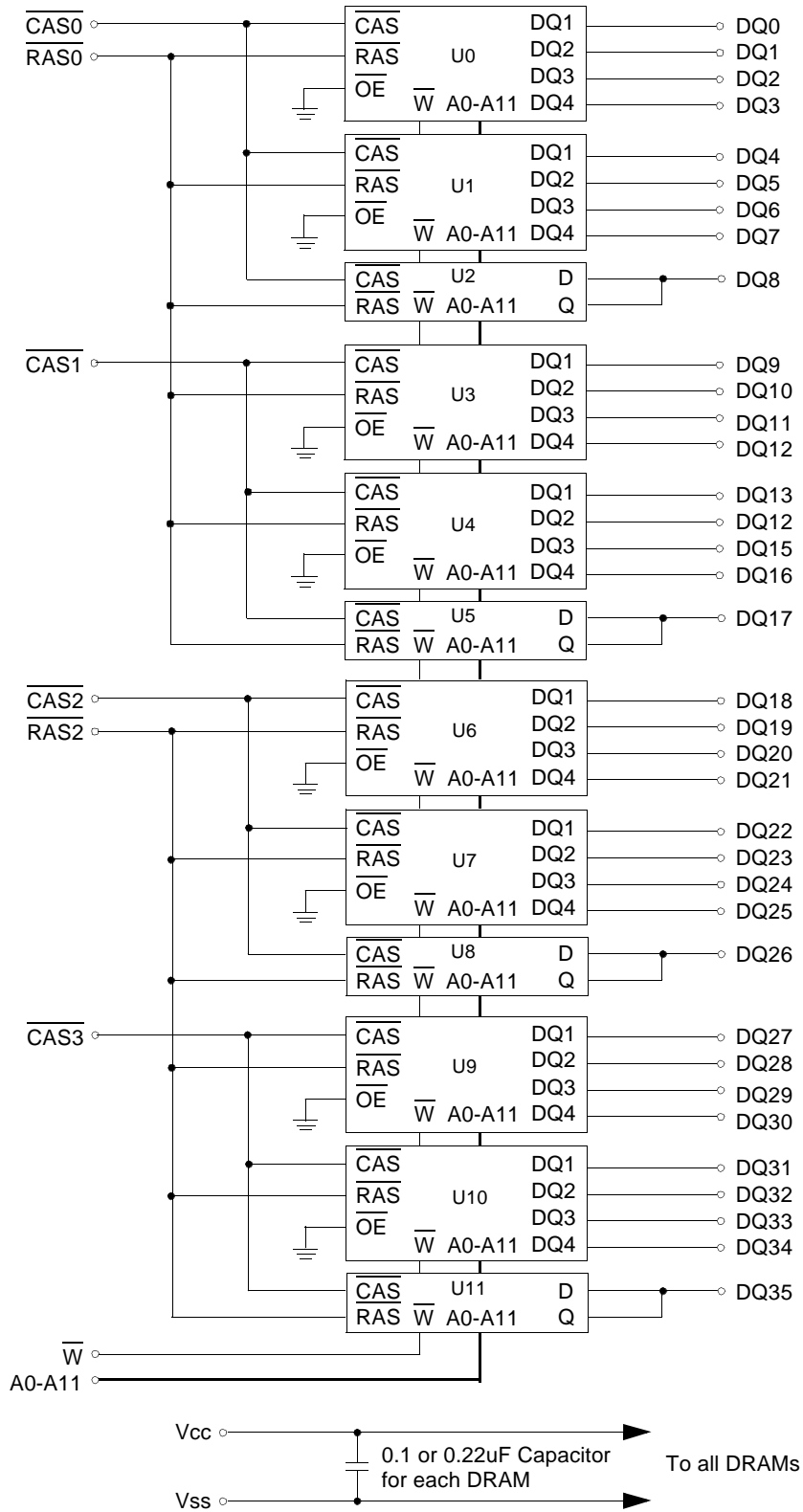
Pin	50NS	60NS
PD1	Vss	Vss
PD2	NC	NC
PD3	Vss	NC
PD4	Vss	NC

SAMSUNG ELECTRONICS CO., LTD. reserves the right to change products and specifications without notice.

DRAM MODULE

KMM53616000CK/CKG

FUNCTIONAL BLOCK DIAGRAM



ABSOLUTE MAXIMUM RATINGS *

Item	Symbol	Rating	Unit
Voltage on any pin relative to Vss	V _{IN} , V _{OUT}	-1 to +7.0	V
Voltage on Vcc supply relative to Vss	V _{CC}	-1 to +7.0	V
Storage Temperature	T _{stg}	-55 to +125	°C
Power Dissipation	P _d	12	W
Short Circuit Output Current	I _{OS}	50	mA

* Permanent device damage may occur if ABSOLUTE MAXIMUM RATINGS are exceeded. Functional operation should be restricted to the conditions as detailed in the operational sections of this data sheet. Exposure to absolute maximum rating conditions for intended periods may affect device reliability.

RECOMMENDED OPERATING CONDITIONS (Voltage referenced to Vss, TA = 0 to 70°C)

Item	Symbol	Min	Typ	Max	Unit
Supply Voltage	V _{CC}	4.5	5.0	5.5	V
Ground	V _{SS}	0	0	0	V
Input High Voltage	V _{IH}	2.4	-	V _{CC} ^{*1}	V
Input Low Voltage	V _{IL}	-1.0 ^{*2}	-	0.8	V

*1 : V_{CC}+2.0V at pulse width ≤ 20ns, which is measured at V_{CC}.

*2 : -2.0V at pulse width ≤ 20ns, which is measured at V_{SS}.

DC AND OPERATING CHARACTERISTICS (Recommended operating conditions unless otherwise noted)

Symbol	Speed	KMM53616000CK/CKG		Unit
		Min	Max	
I _{CC1}	-5	-	1320	mA
	-6	-	1200	mA
I _{CC2}	Don't care	-	24	mA
I _{CC3}	-5	-	1320	mA
	-6	-	1200	mA
I _{CC4}	-5	-	880	mA
	-6	-	760	mA
I _{CC5}	Don't care	-	12	mA
I _{CC6}	-5	-	1320	mA
	-6	-	1200	mA
I _{I(L)}	Don't care	-10	10	uA
I _{O(L)}		-5	5	uA
V _{OH}	Don't care	2.4	-	V
V _{OL}		-	0.4	V

I_{CC1} : Operating Current * (\overline{RAS} , \overline{CAS} , Address cycling @trc=min)

I_{CC2} : Standby Current ($\overline{RAS}=\overline{CAS}=\overline{W}=\overline{V_{IH}}$)

I_{CC3} : \overline{RAS} Only Refresh Current * ($\overline{CAS}=\overline{V_{IH}}$, \overline{RAS} cycling @trc=min)

I_{CC4} : Fast Page Mode Current * ($\overline{RAS}=\overline{V_{IL}}$, \overline{CAS} cycling : tPC=min)

I_{CC5} : Standby Current ($\overline{RAS}=\overline{CAS}=\overline{W}=\overline{V_{CC}-0.2V}$)

I_{CC6} : \overline{CAS} -Before- \overline{RAS} Refresh Current * (\overline{RAS} and \overline{CAS} cycling @trc=min)

I_{I(L)} : Input Leakage Current (Any input 0 ≤ V_{IN} ≤ V_{CC}+0.5V, all other pins not under test=0 V)

I_{O(L)} : Output Leakage Current(Data Out is disabled, 0V ≤ V_{OUT} ≤ V_{CC})

V_{OH} : Output High Voltage Level (I_{OH} = -5mA)

V_{OL} : Output Low Voltage Level (I_{OL} = 4.2mA)

* **NOTE** : I_{CC1}, I_{CC3}, I_{CC4} and I_{CC6} are dependent on output loading and cycle rates. Specified values are obtained with the output open. I_{CC} is specified as an average current. In I_{CC1} and I_{CC3}, address can be changed maximum once while $\overline{RAS}=\overline{V_{IL}}$. In I_{CC4}, address can be changed maximum once within one Fast page mode cycle time, tPC.



DRAM MODULE

KMM53616000CK/CKG

CAPACITANCE (TA = 25°C, VCC=5V, f = 1MHz)

Item	Symbol	Min	Max	Unit
Input capacitance[A0-A11]	CIN1	-	70	pF
Input capacitance[W]	CIN2	-	94	pF
Input capacitance[RAS0, RAS2]	CIN3	-	52	pF
Input capacitance[CAS0 - CAS3]	CIN4	-	31	pF
Input/Output capacitance[DQ0-35]	CDQ	-	17	pF

AC CHARACTERISTICS (0°C ≤ TA ≤ 70°C, VCC=5.0V ± 10%. See notes 1,2.)

Test condition : VIH/VIIL=2.4/0.8V, VOH/VOIL=2.4/0.4V, output loading CL=100pF

Parameter	Symbol	-5		-6		Unit	Note
		Min	Max	Min	Max		
Random read or write cycle time	tRC	90		110		ns	
Access time from RAS	tRAC		50		60	ns	3,4,10
Access time from CAS	tCAC		13		15	ns	3,4,5
Access time from column address	tAA		25		30	ns	3,10
CAS to output in Low-Z	tCLZ	0		0		ns	3
Output buffer turn-off delay	tOFF	0	13	0	15	ns	6
Transition time(rise and fall)	tT	1	50	1	50	ns	2
RAS precharge time	tRP	30		40		ns	
RAS pulse width	tRAS	50	10K	60	10K	ns	
RAS hold time	tRSH	13		15		ns	
CAS hold time	tCSH	50		60		ns	
CAS pulse width	tCAS	13	10K	15	10K	ns	
RAS to CAS delay time	tRCD	20	37	20	45	ns	4
RAS to column address delay time	tRAD	15	25	15	30	ns	10
CAS to RAS precharge time	tCRP	5		5		ns	
Row address set-up time	tASR	0		0		ns	
Row address hold time	tRAH	10		10		ns	
Column address set-up time	tASC	0		0		ns	
Column address hold time	tCAH	10		10		ns	
Column address to RAS lead time	tRAL	25		30		ns	
Read command set-up time	tRCS	0		0		ns	
Read command hold referenced to CAS	tRCH	0		0		ns	8
Read command hold referenced to RAS	tRRH	0		0		ns	8
Write command hold time	tWCH	10		10		ns	
Write command pulse width	tWP	10		10		ns	
Write command to RAS lead time	tRWL	15		15		ns	
Write command to CAS lead time	tCWL	13		15		ns	
Data set-up time	tDS	0		0		ns	9
Data hold time	tDH	10		10		ns	9
Refresh period	tREF		64		64	ms	
Write command set-up time	tWCS	0		0		ns	7
CAS setup time(CAS-before-RAS refresh)	tCSR	5		5		ns	
CAS hold time(CAS-before-RAS refresh)	tCHR	10		10		ns	
RAS to CAS precharge time	tRPC	5		5		ns	
Access time from CAS precharge	tCPA		30		35	ns	3



ELECTRONICS

AC CHARACTERISTICS (0°C ≤ T_A ≤ 70°C, V_{CC} = 5.0V ± 10%. See notes 1,2.)

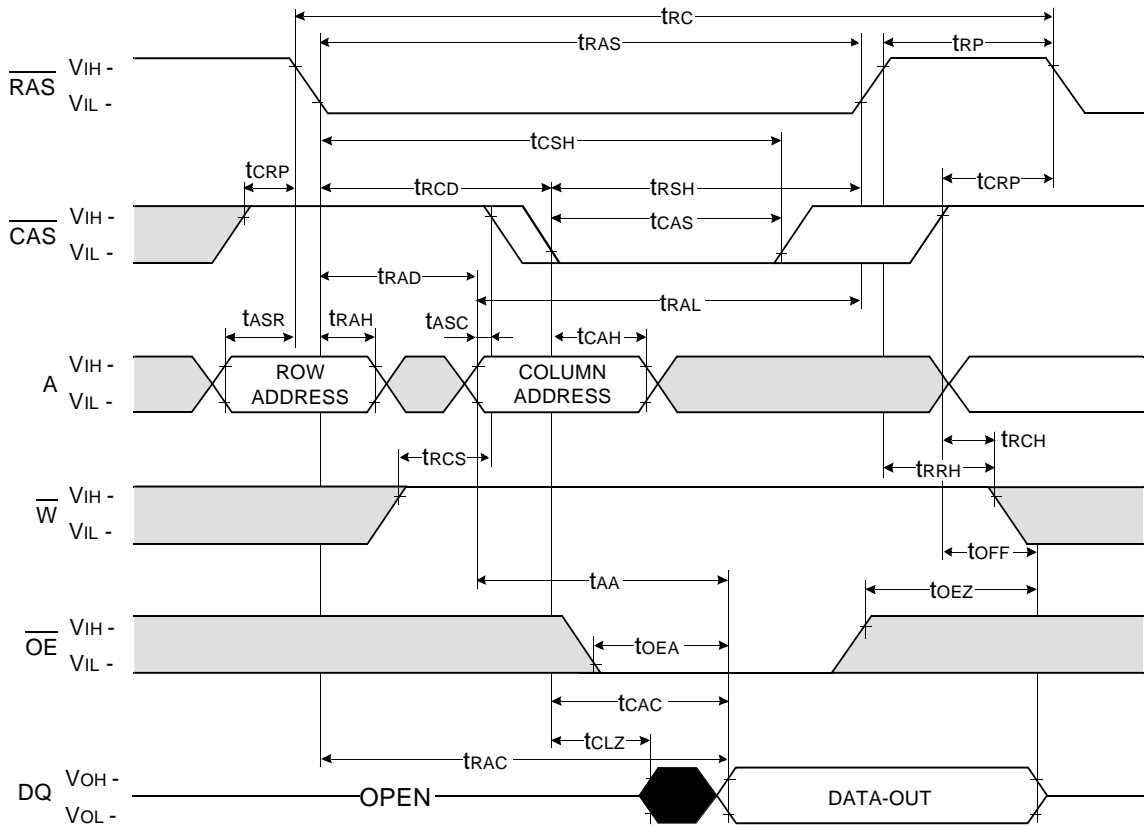
Test condition : V_{ih}/V_{il} = 2.4/0.8V, V_{oh}/V_{ol} = 2.4/0.4V, output loading CL = 100pF

Parameter	Symbol	-5		-6		Unit	Note
		Min	Max	Min	Max		
Fast page mode cycle time	t _{PC}	35		40		ns	
CAS precharge time(Fast page cycle)	t _{CP}	10		10		ns	
RAS pulse width(Fast page cycle)	t _{RASP}	50	200K	60	200K	ns	
W to RAS precharge time(C-B-R refresh)	t _{WRP}	10		10		ns	
W to RAS hold time(C-B-R refresh)	t _{WRH}	10		10		ns	

NOTES

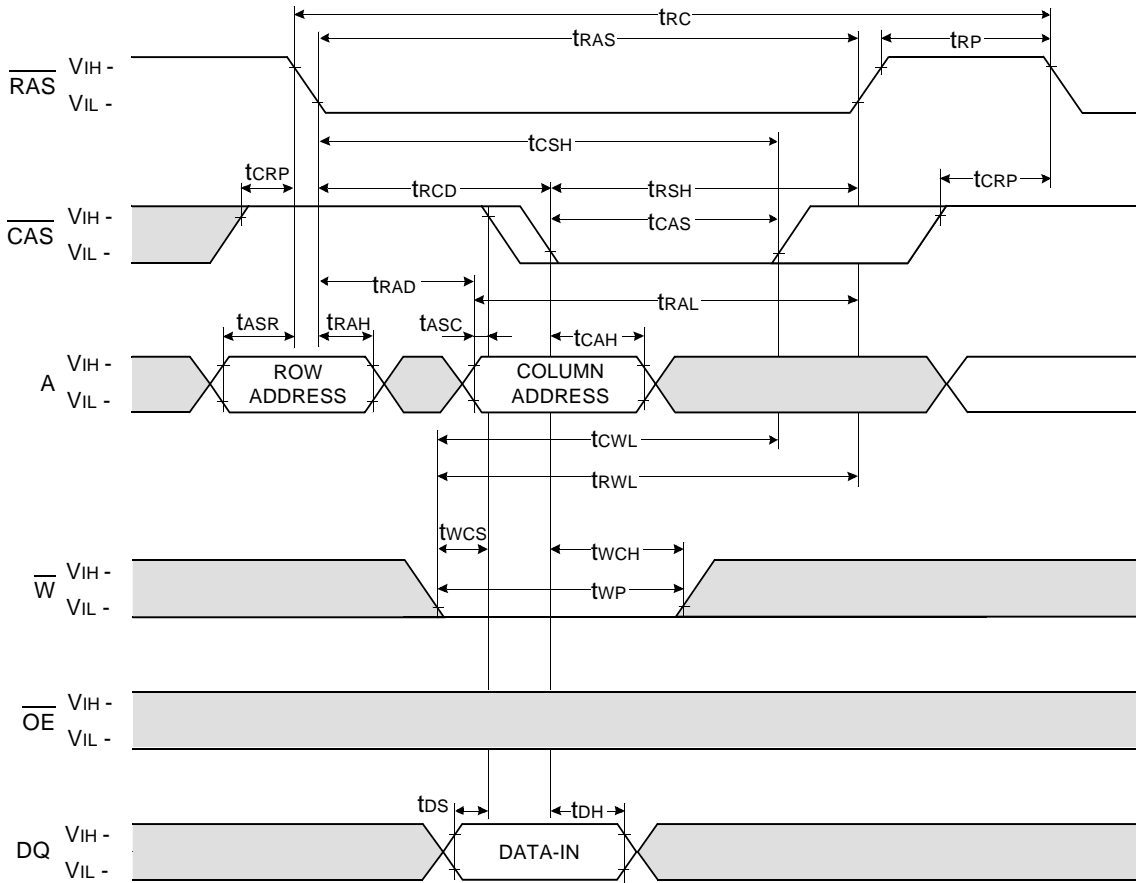
1. An initial pause of 200us is required after power-up followed by any 8 RAS-only or CAS-before-RAS refresh cycles before proper device operation is achieved.
2. Input voltage levels are V_{ih}/V_{il}. V_{IH}(min) and V_{IL}(max) are reference levels for measuring timing of input signals. Transition times are measured between V_{IH}(min) and V_{IL}(max) and are assumed to be 5ns for all inputs.
3. Measured with a load equivalent to 2 TTL loads and 100pF.
4. Operation within the t_{RCd}(max) limit insures that t_{RC}(max) can be met. t_{RCd}(max) is specified as a reference point only. If t_{RCd} is greater than the specified t_{RCd}(max) limit, then access time is controlled exclusively by t_{CAC}.
5. Assumes that t_{RCd} ≥ t_{RCd}(max).
6. This parameter defines the time at which the output achieves the open circuit condition and is not referenced to V_{OH} or V_{OL}.
7. t_{wcs} is non-restrictive operating parameter. It is included in the data sheet as electrical characteristics only. If t_{wcs} ≥ t_{wcs}(min), the cycle is an early write cycle and the data out pin will remain high impedance for the duration of the cycle.
8. Either t_{RC}H or t_{RR}H must be satisfied for a read cycle.
9. These parameters are referenced to the CAS leading edge in early write cycles.
10. Operation within the t_{RAD}(max) limit insures that t_{RC}(max) can be met. t_{RAD}(max) is specified as reference point only. If t_{RAD} is greater than the specified t_{RAD}(max) limit, then access time is controlled by t_{AA}.

READ CYCLE



WRITE CYCLE (EARLY WRITE)

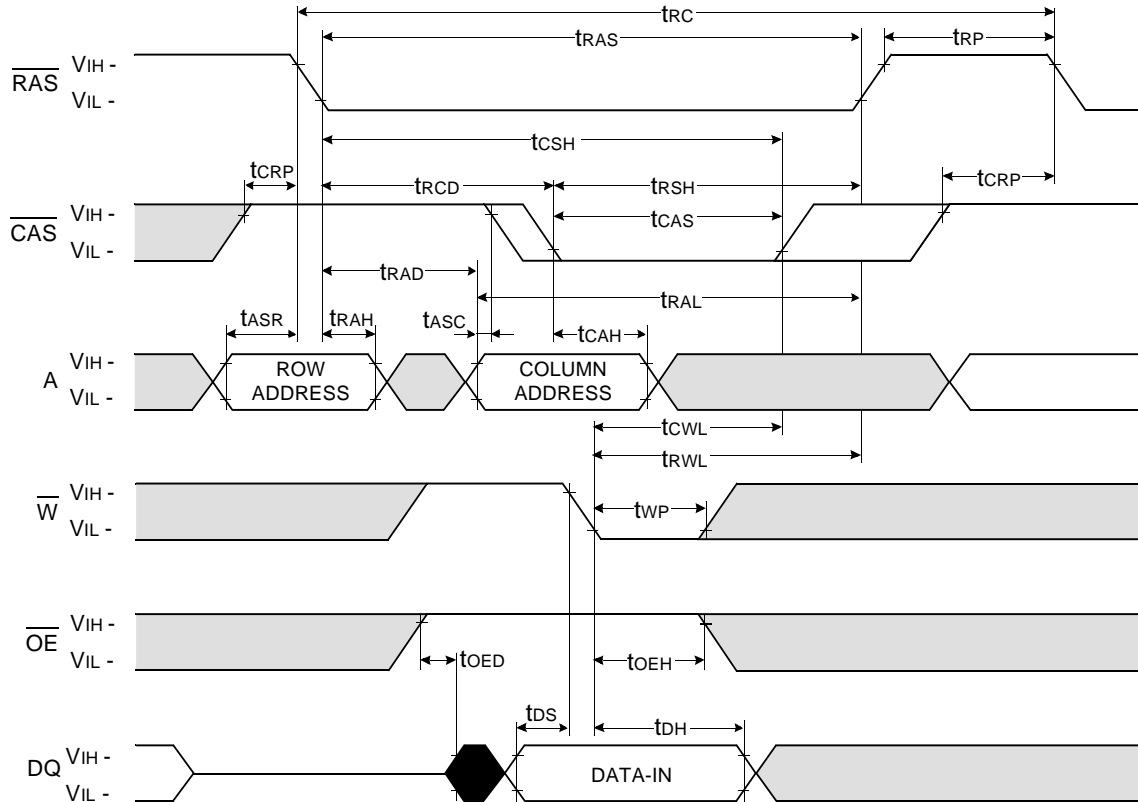
NOTE : DOUT = OPEN



Don't care
 Undefined

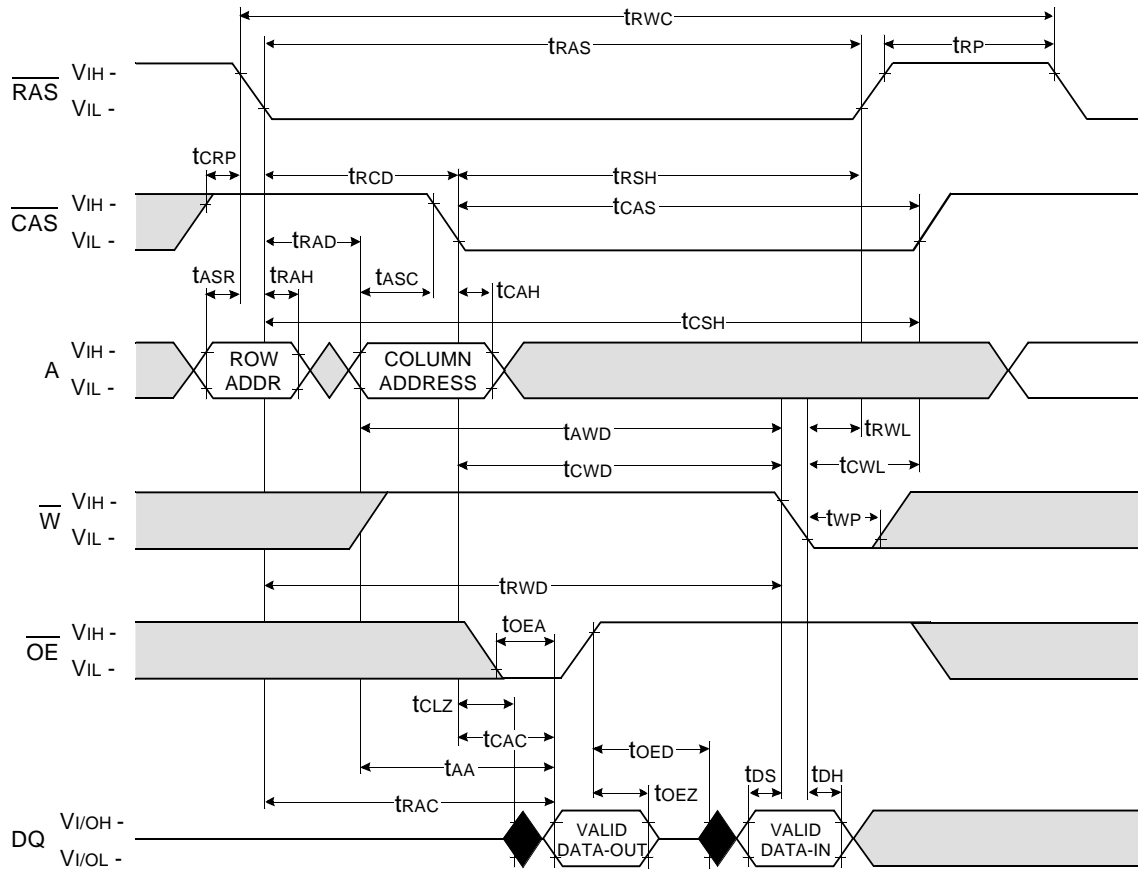
WRITE CYCLE (\overline{OE} CONTROLLED WRITE)

NOTE : DOUT = OPEN



Don't care
 Undefined

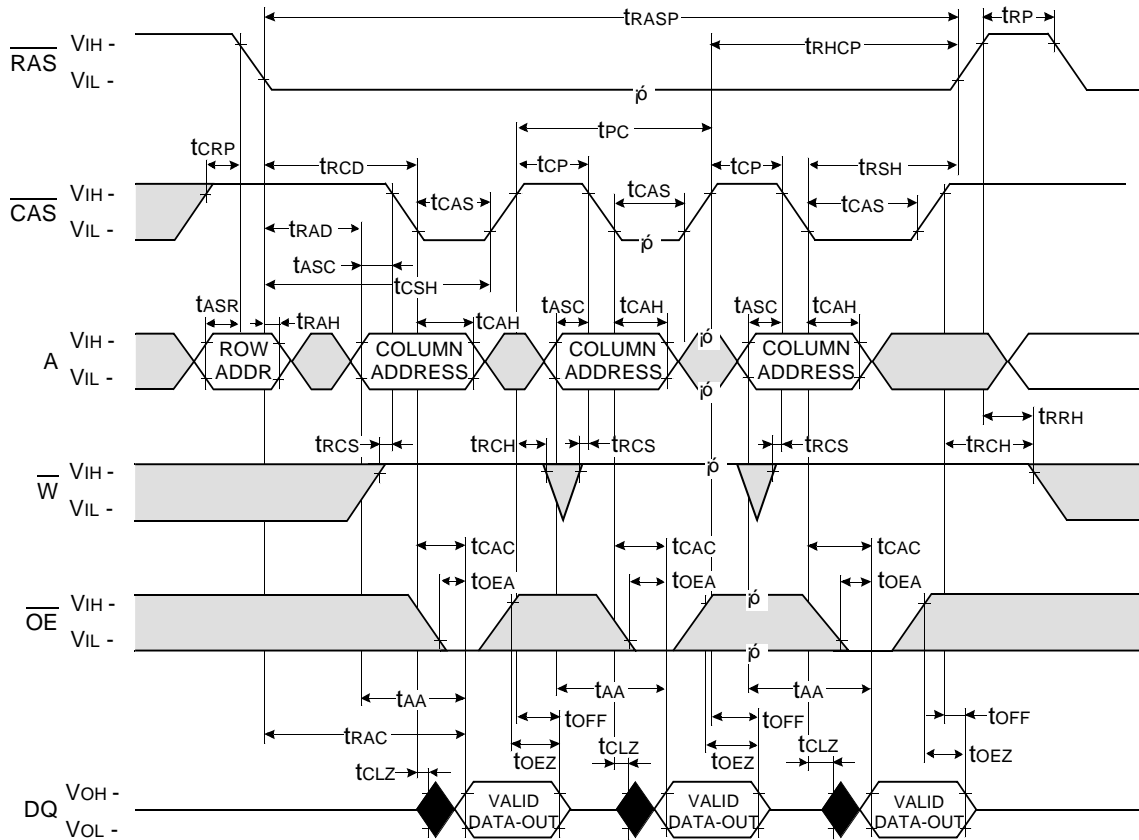
READ - MODIFY - WRITE CYCLE



Don't care
 Undefined

FAST PAGE READ CYCLE

NOTE : DOUT = OPEN

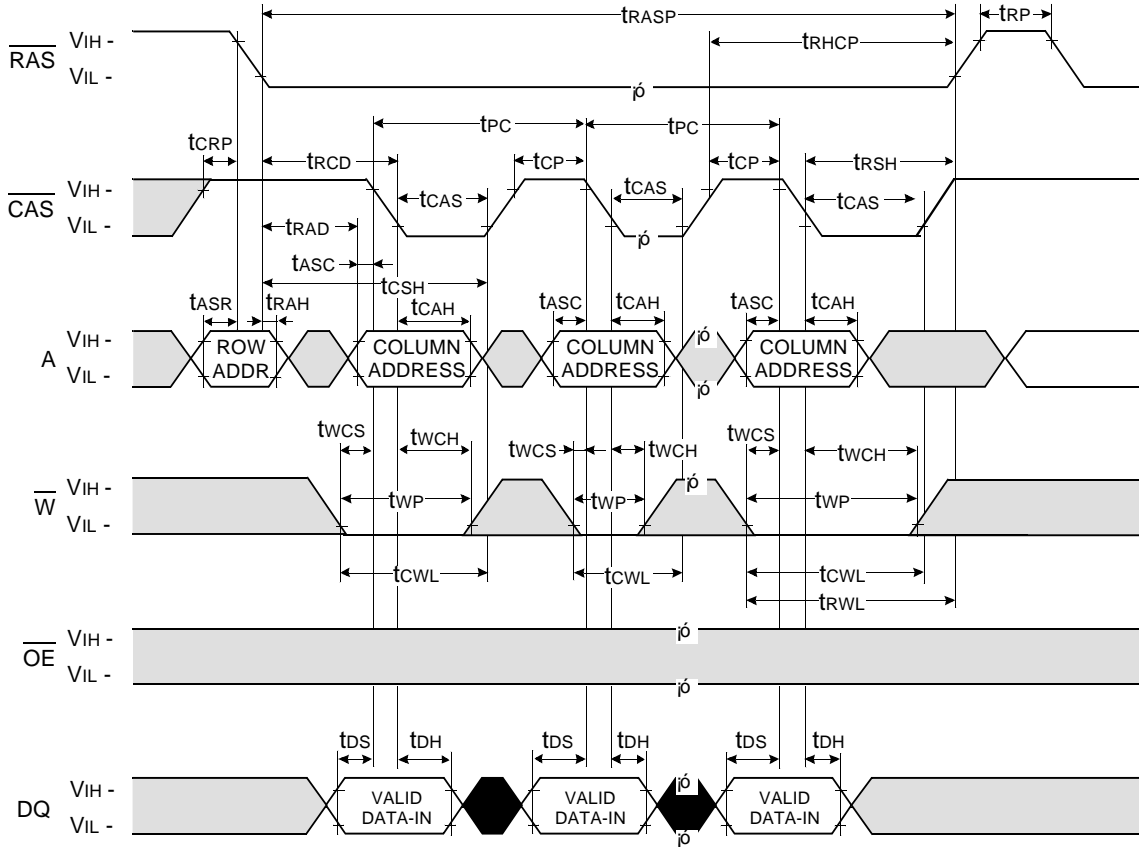




Don't care

Undefined

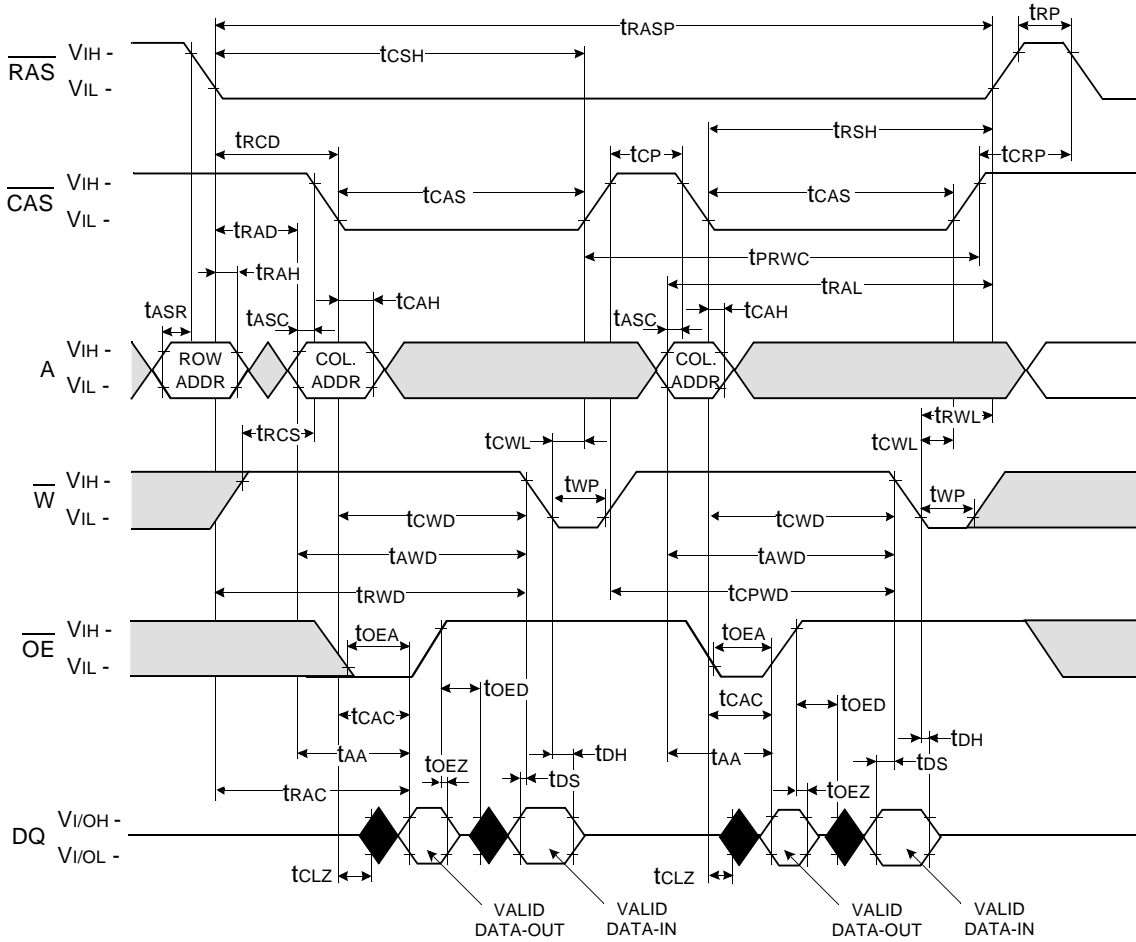
FAST PAGE WRITE CYCLE (EARLY WRITE)

NOTE : DOUT = OPEN



 Don't care
 Undefined

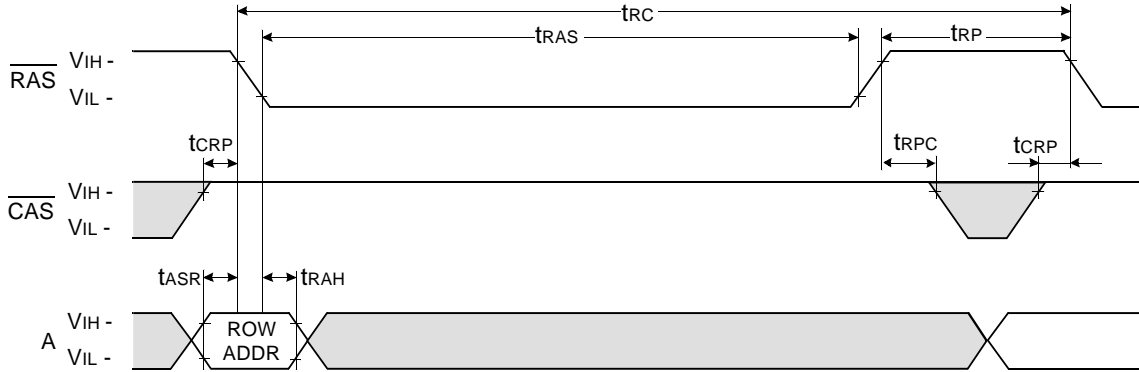
FAST PAGE READ - MODIFY - WRITE CYCLE



$\overline{\text{RAS}}$ - ONLY REFRESH CYCLE

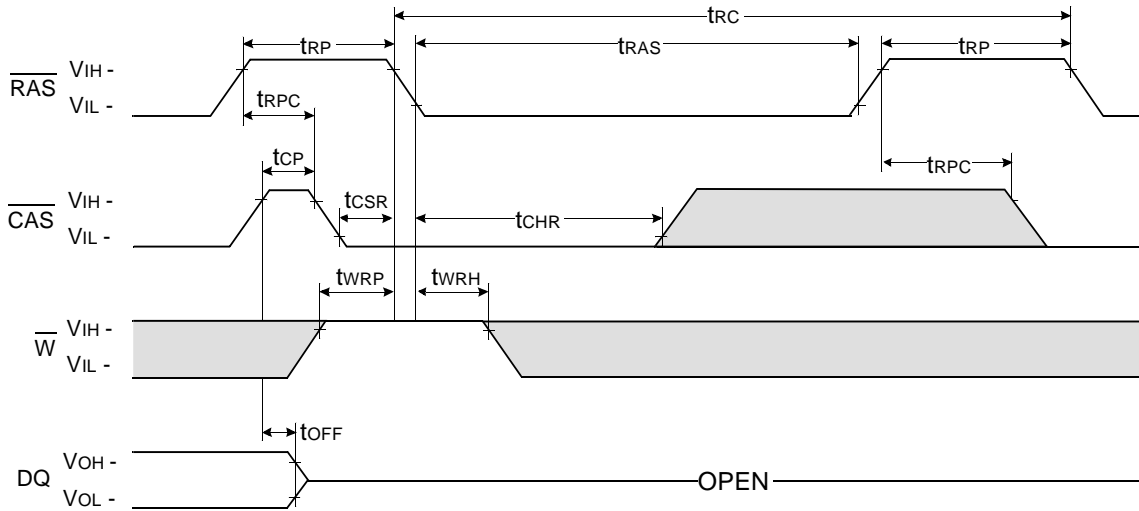
NOTE : $\overline{\text{W}}$, $\overline{\text{OE}}$, DIN = Don't care

DOUT = OPEN



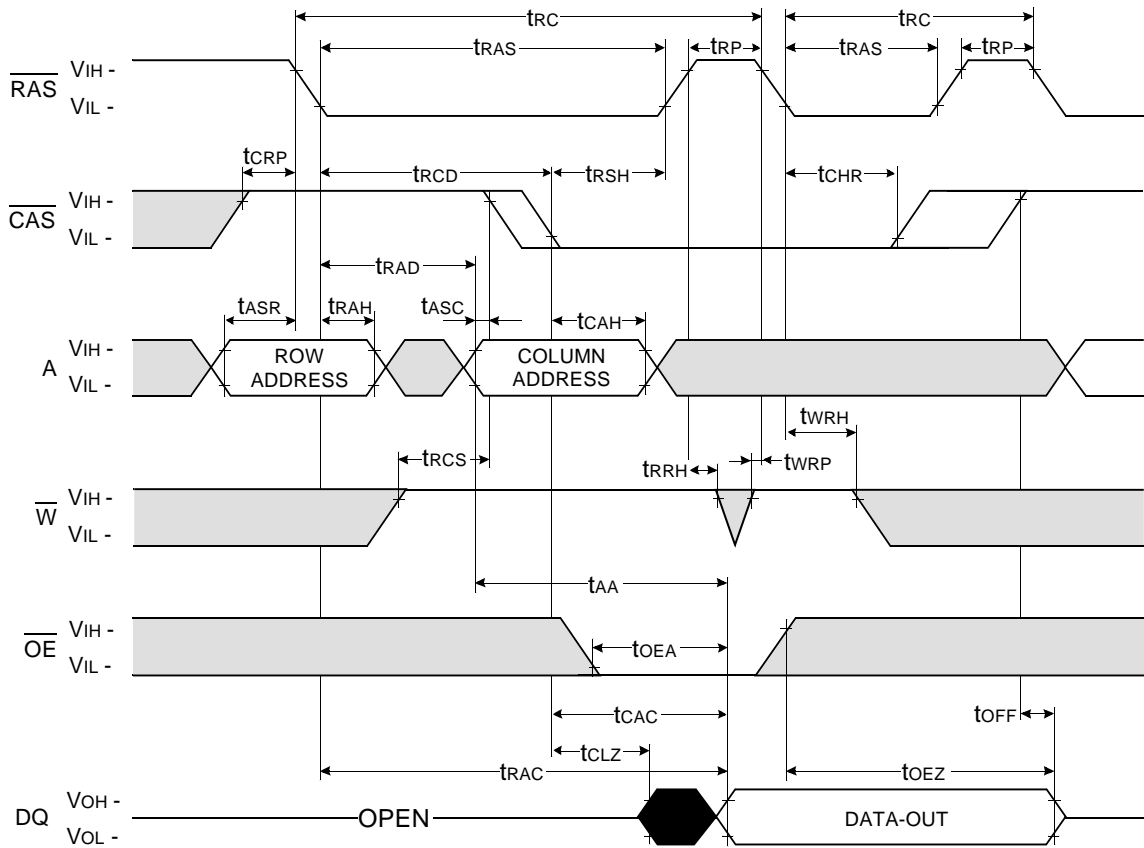
$\overline{\text{CAS}}$ - BEFORE - $\overline{\text{RAS}}$ REFRESH CYCLE

NOTE : $\overline{\text{OE}}$, A = Don't care



Don't care
 Undefined

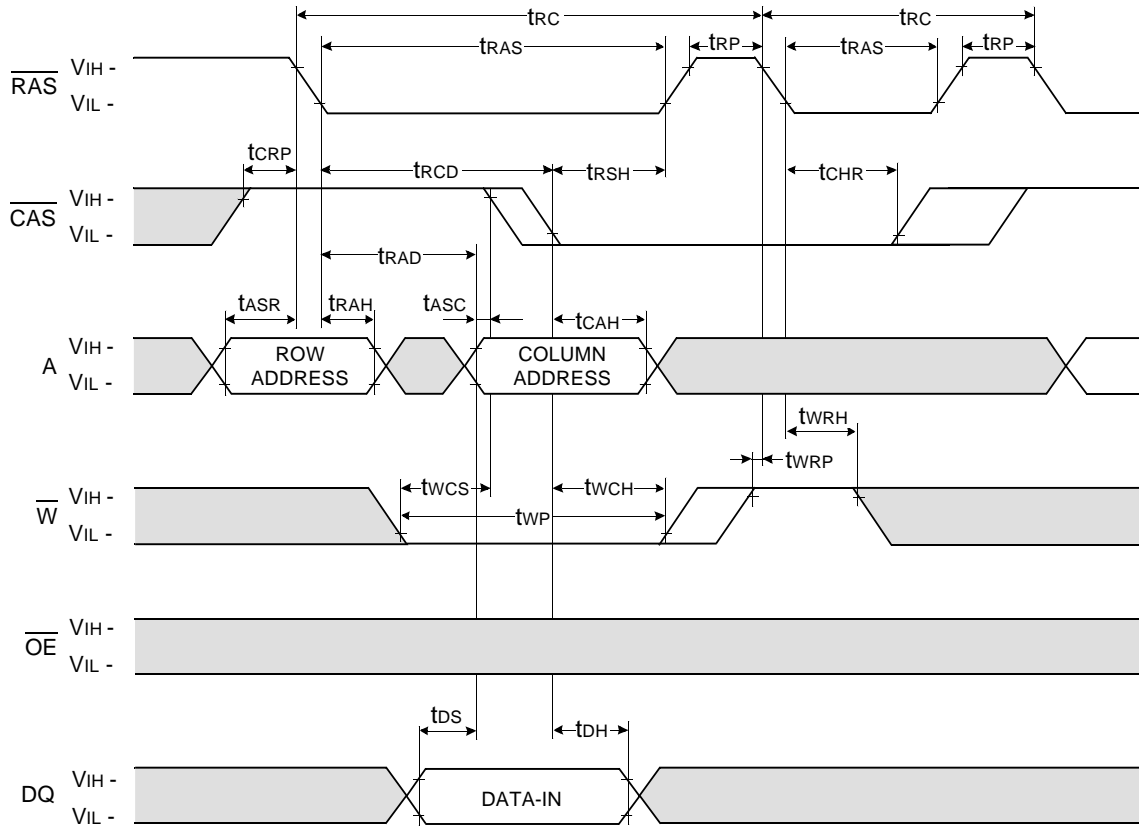
HIDDEN REFRESH CYCLE (READ)



Don't care
 Undefined

HIDDEN REFRESH CYCLE (WRITE)

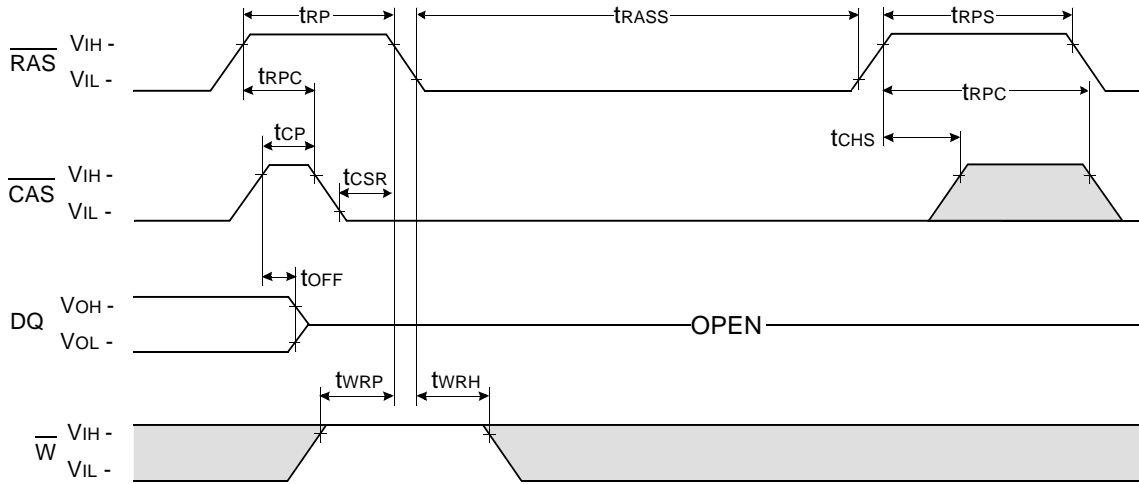
NOTE : DOUT = OPEN



□ Don't care
 ■ Undefined

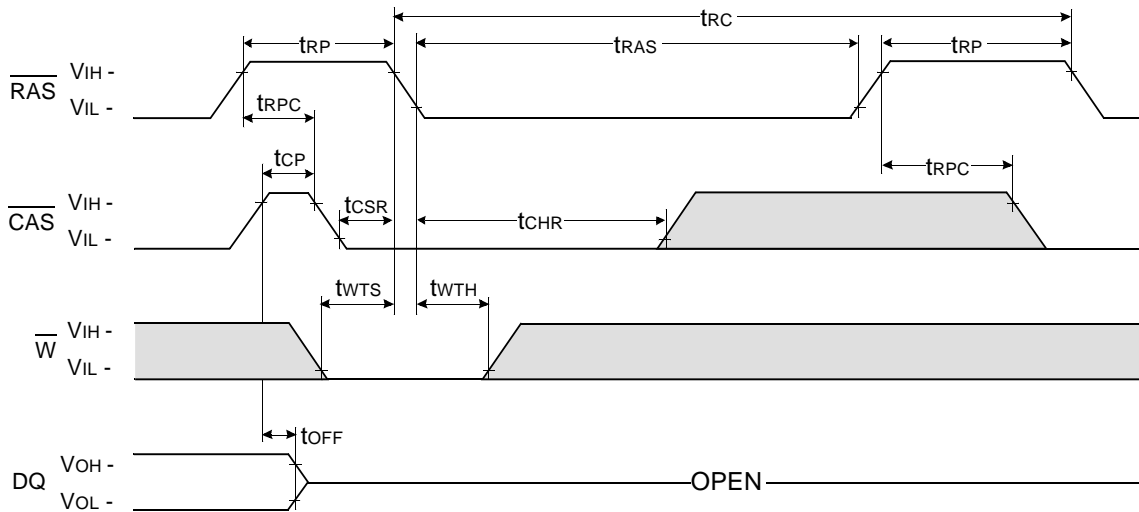
CAS - BEFORE - RAS SELF REFRESH CYCLE

NOTE : \overline{OE} , A = Don't care



TEST MODE IN CYCLE

NOTE : \overline{OE} , A = Don't care



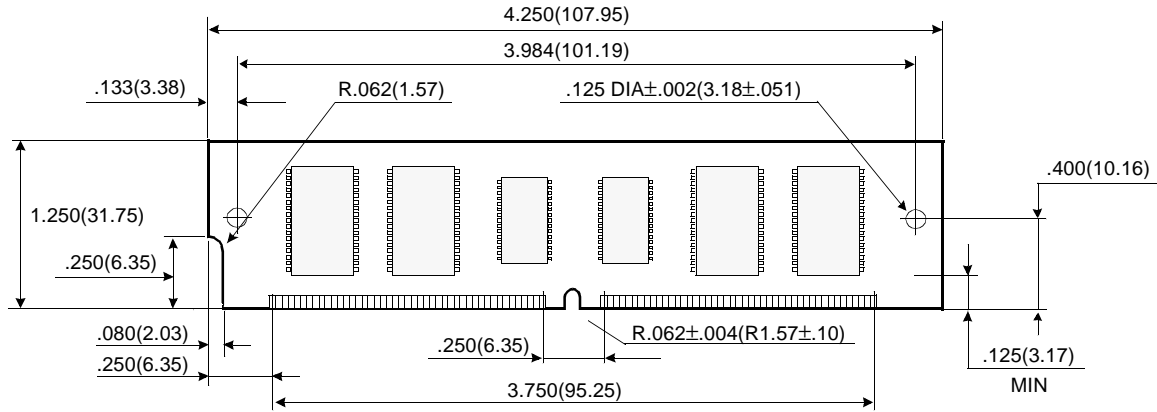
Don't care
 Undefined

DRAM MODULE

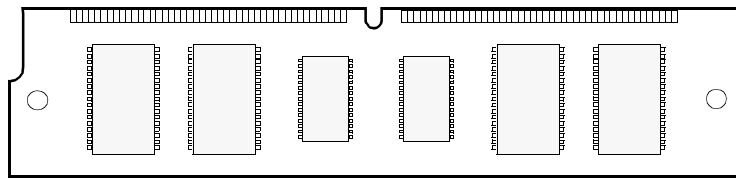
KMM53616000CK/CKG

PACKAGE DIMENSIONS

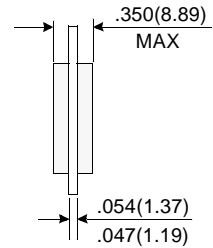
Units : Inches (millimeters)



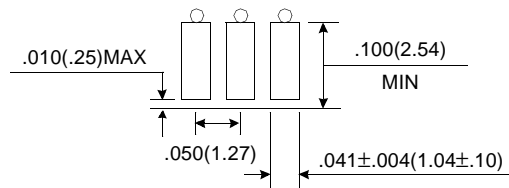
(Front view)



(Back view)



Gold/Solder Plating Lead



Tolerances : ±.005(.13) unless otherwise specified

NOTE : The used device is 16Mx4 DRAM & 16Mx1 DRAM, SOJ
DRAM Part No. : KMM53616000CK/CKG -- KM44C16100CK
KM41C16000CK