

Band pass filters for RF circuits of Cordless phone (CT-1+)

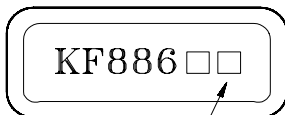
- High stability and reliability with good performance and no adjustment.
- Wide and sharp pass band characteristics.
- Low insertion loss and deep stop band attenuation for interference.
- KF886 : F-11 Package
- KF886V : SC-44 Package.

MAXIMUM RATINGS (T<sub>a</sub>=25°C)

ITEM	SYMBOL	RATING	UNIT
Input Signal Level	IS <sub>max</sub>	10	dBm
DC Permissive Voltage	V <sub>DC</sub>	0	V
Operating Temperature Range	T <sub>opr</sub>	-10~+60	°C
Storage Temperature Range	T <sub>stg</sub>	-40~+85	°C

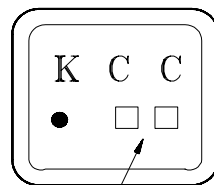
MARKING

(F-11)

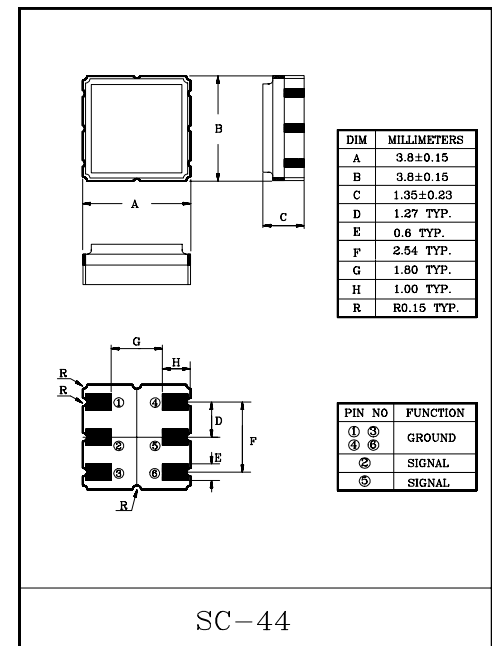
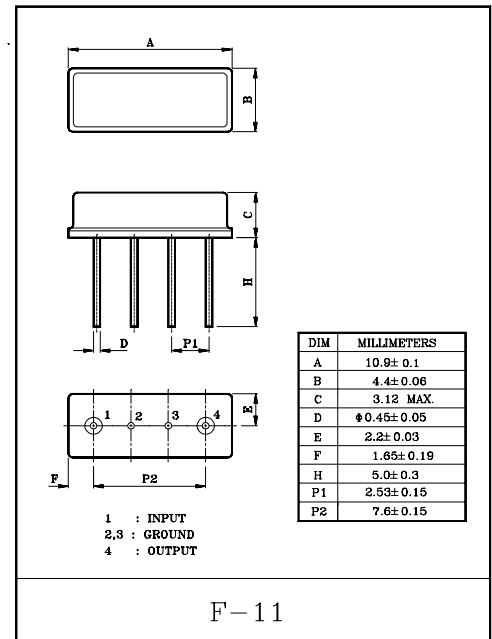


Lot No.

(SC-44)



Lot No.

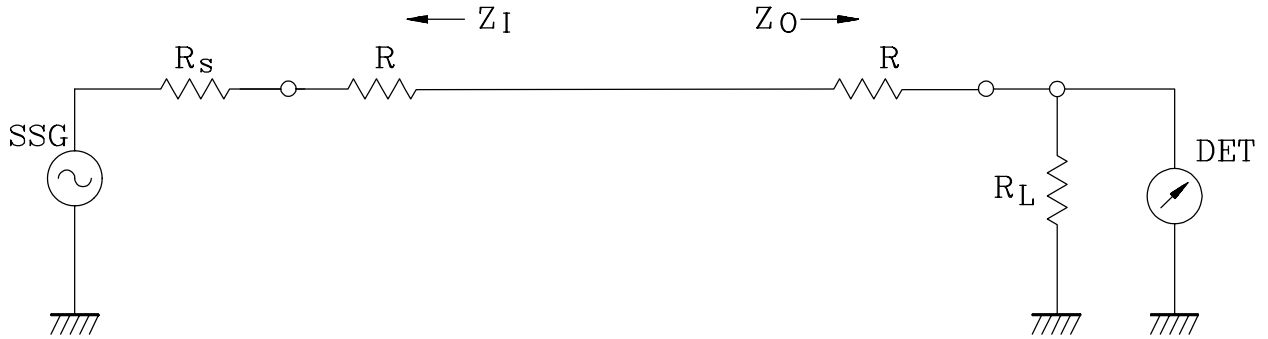


ELECTRICAL CHARACTERISTICS (Temperature 25±2°C, Humidity 65±5%)

ITEMS	SYMBOL	TEST CONDITION	MIN.	TYP.	MAX.	UNIT
Nominal Center Frequency	f <sub>0</sub>	-	-	886	-	MHz
Bandwidth	BW <sub>3dB</sub>	-	f <sub>0</sub> ±2.0	-	-	MHz
Insertion Loss	IL <sub>PASS</sub>	f <sub>0</sub> ±2.0MHz	-	3.0	4.0	dB
Ripple Level	A <sub>RIP</sub>	f <sub>0</sub> ±2.0MHz	-	-	1.5	dB
Rejection Level	IL <sub>STOP</sub>	f <sub>0</sub> -45~f <sub>0</sub> -40MHz	45	49	-	dB
		f <sub>0</sub> -24~f <sub>0</sub> -19MHz	30	52	-	
		f <sub>0</sub> +19~f <sub>0</sub> +24MHz	20	26	-	
		f <sub>0</sub> +40~f <sub>0</sub> +45MHz	35	42	-	
Input/Output Impedance	Z <sub>i</sub> (Z <sub>o</sub> )	-	-	50Ω +10nH	-	-

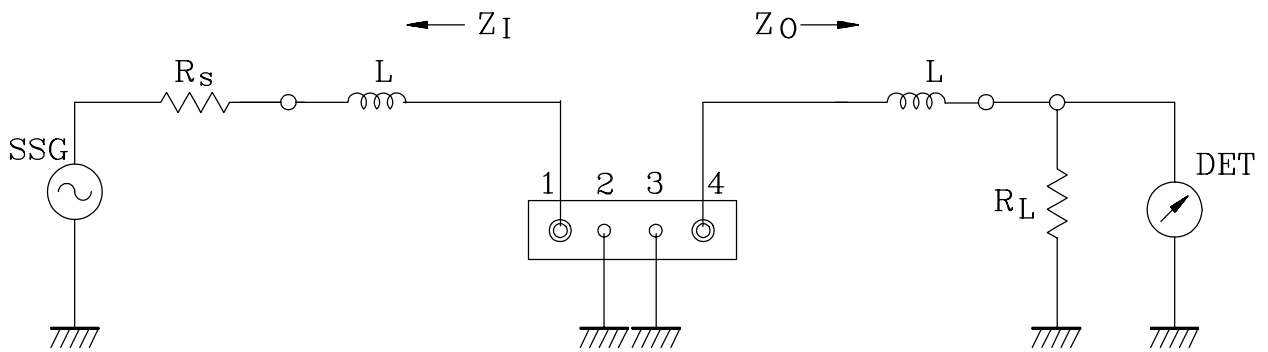
## TEST CIRCUIT

### REFERENCE LEVEL TEST CIRCUIT



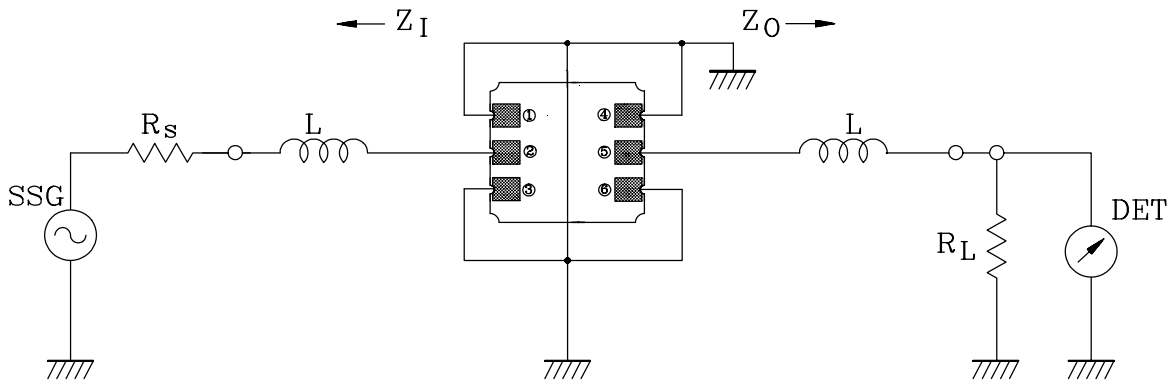
$R_s, R_L : 50\Omega$  (Internal Impedance of Source and Load)  
 $R : 0\Omega$   
 $Z_I(Z_O) = R_s(R_L) + R$

### MEASUREMENT CIRCUIT



1: Input      2,3: Ground      4: Output

$R_s, R_L : 50\Omega$  (Internal Impedance of Source and Load)  
 $L : 10\text{nH}$   
 $Z_I(Z_O) = R_s(R_L) + L$



② INPUT      ①, ③, ④, ⑥, GROUND      ⑤ OUTPUT