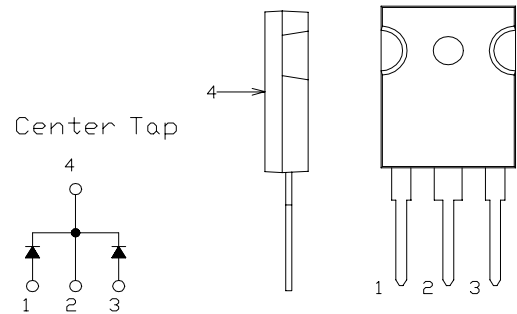


# FRD Type : KCF16A60

## OUTLINE DRAWING

### FEATURES

- \* Similar to TO-247AC (TO-3P) Case
- \* Dual Diodes – Cathode Common
- \* Ultra – Fast Recovery
- \* Low Forward Voltage Drop
- \* High Surge Capability
- \* 200 Volts thru 600 Volts Types Available



### Maximum Ratings

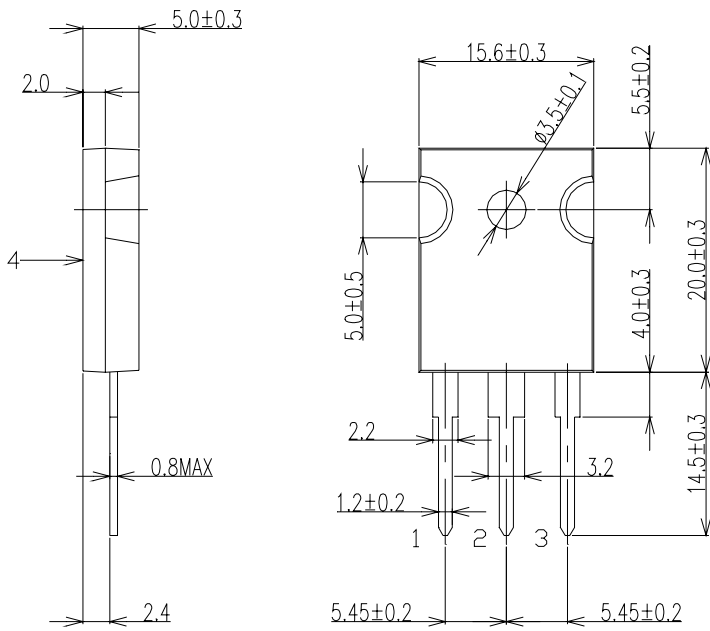
Approx Net Weight:5.55g

Rating	Symbol	KCF16A60		Unit
Repetitive Peak Reverse Voltage	$V_{RRM}$	600		V
Average Rectified Output Current	$I_O$	16	$T_c=94^{\circ}C$ 50 Hz, Full Sine Wave Resistive Load	A
RMS Forward Current	$I_{F(RMS)}$	18		A
Surge Forward Current	$I_{FSM}$	120	50 Hz Full Sine Wave, 1 cycle Non-repetitive	A
Operating Junction Temperature Range	$T_{jw}$	- 40 to + 150		$^{\circ}C$
Storage Temperature Range	$T_{stg}$	- 40 to + 150		$^{\circ}C$
Mounting torque		0.5	Recommended value	N·m

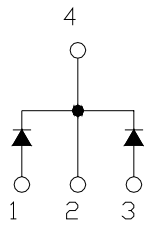
### Electrical • Thermal Characteristics

Characteristics	Symbol	Conditions	Min.	Typ.	Max.	Unit
Peak Reverse Current	$I_{RM}$	$T_j=25^{\circ}C, V_{RM}=V_{RRM}$ per Arm	-	-	30	$\mu A$
Peak Forward Voltage	$V_{FM}$	$T_j=25^{\circ}C, I_{FM}=8A$ per Arm	-	-	1.7	V
Reverse Recovery Time	$t_{rr}$	$I_{FM}= 8 A,$ $-di/dt= 50 A/\mu s, T_a= 25^{\circ}C$	-	-	50	ns
Thermal Resistance	$R_{th(j-c)}$	Junction to Case	-	-	2	$^{\circ}C/W$

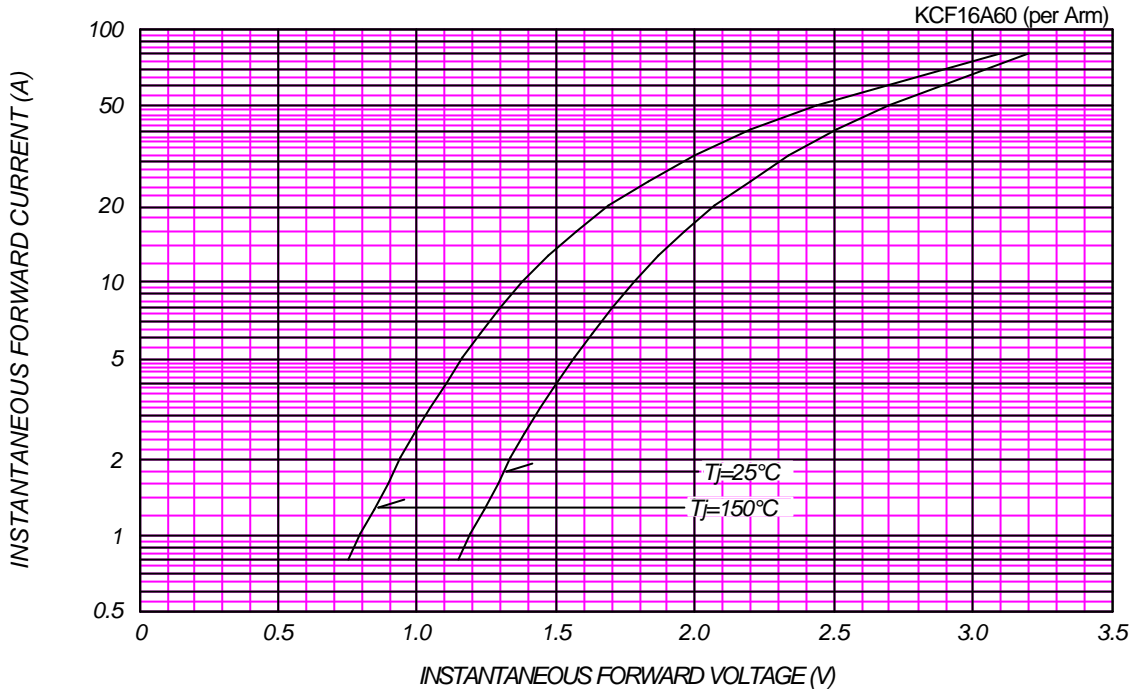
KCF16A60 OUTLINE DRAWING (Dimensions in mm)



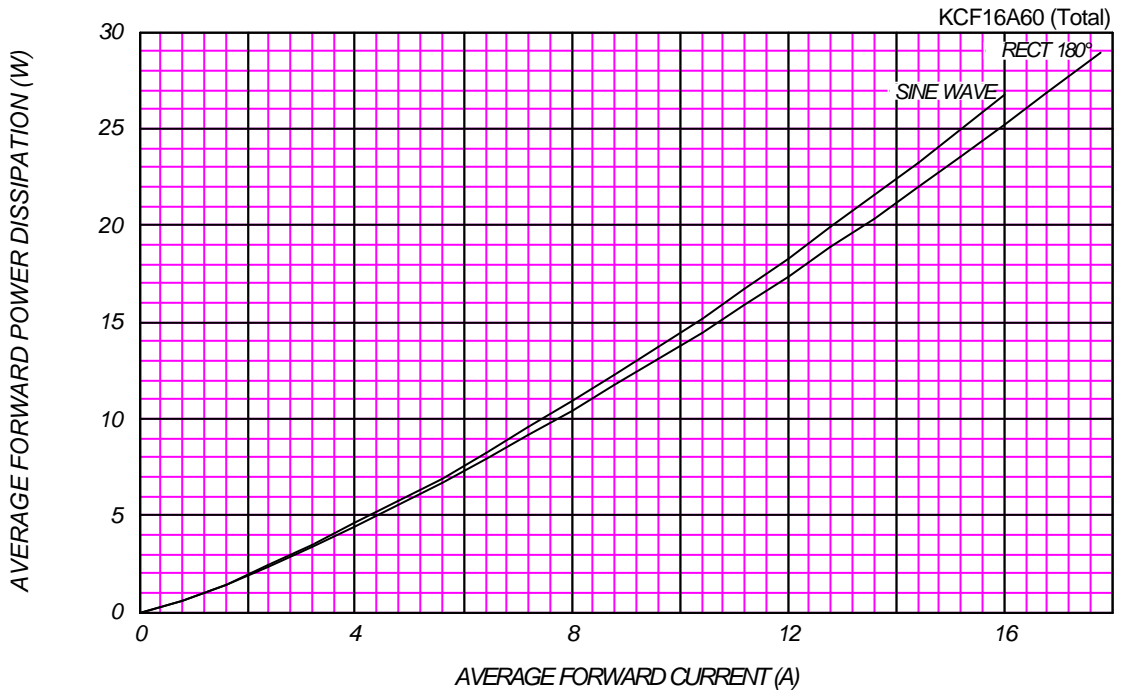
Center Tap



FORWARD CURRENT VS. VOLTAGE

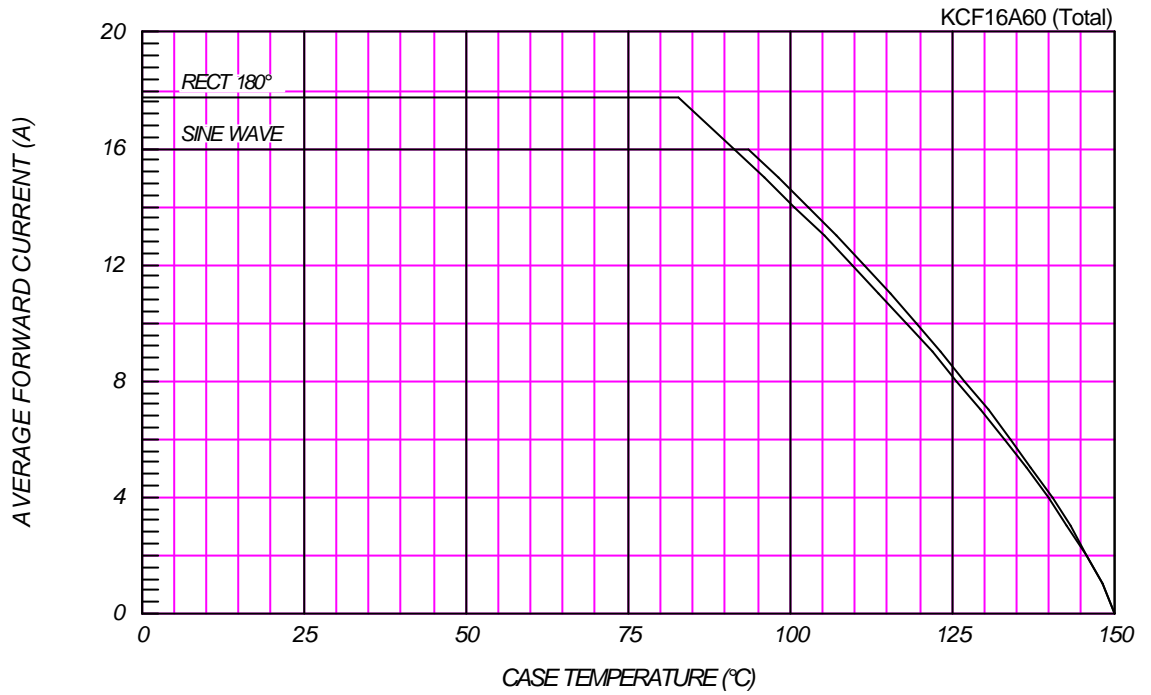


AVERAGE FORWARD POWER DISSIPATION





AVERAGE FORWARD CURRENT VS. CASE TEMPERATURE



SURGE CURRENT RATINGS

f=50Hz, Sine Wave, Non-Repetitive, No Load

