

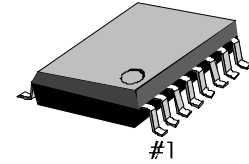
INTRODUCTION

The KB8825 is a high performance dual frequency synthesizer with two integrated high frequency pre-scalers for RF operation up to 1.1 GHz.

The KB8825 is composed of modulus pre-scalers providing 64 and 66, no dead-zone PFD, selectable charge pump current, selectable power down mode circuits, lock detector output, and loop filter's time constant switch.

It is fabricated using the ASP5HB Bi-CMOS process and is available 16-TSSOP with surface mount plastic packaging. Serial data is transferred into the KB8825 via three-wire interface (CK, DATA, EN).

16-TSSOP-0044



FEATURES

- Two systems for receiver and transmitter
- Very low operating current consumption: $I_{cc} = \text{Typ. } 5.5\text{mA @ } 3.0\text{V}$
- Low operating power supply voltage : 2.2 ~ 5.5V (200MHz ~ 550MHz Operating)
2.7 ~ 3.6V (550MHz ~ 1.1GHz Operating)
- Modulus pre-scaler: 64 / 66
- No dead-zone PFD
- Colpitt type local oscillation
- Selectable charge pump current
- Selectable power down mode
- TSSOP 16-pin package (0.65 mm pitch)

ORDERING INFORMATION

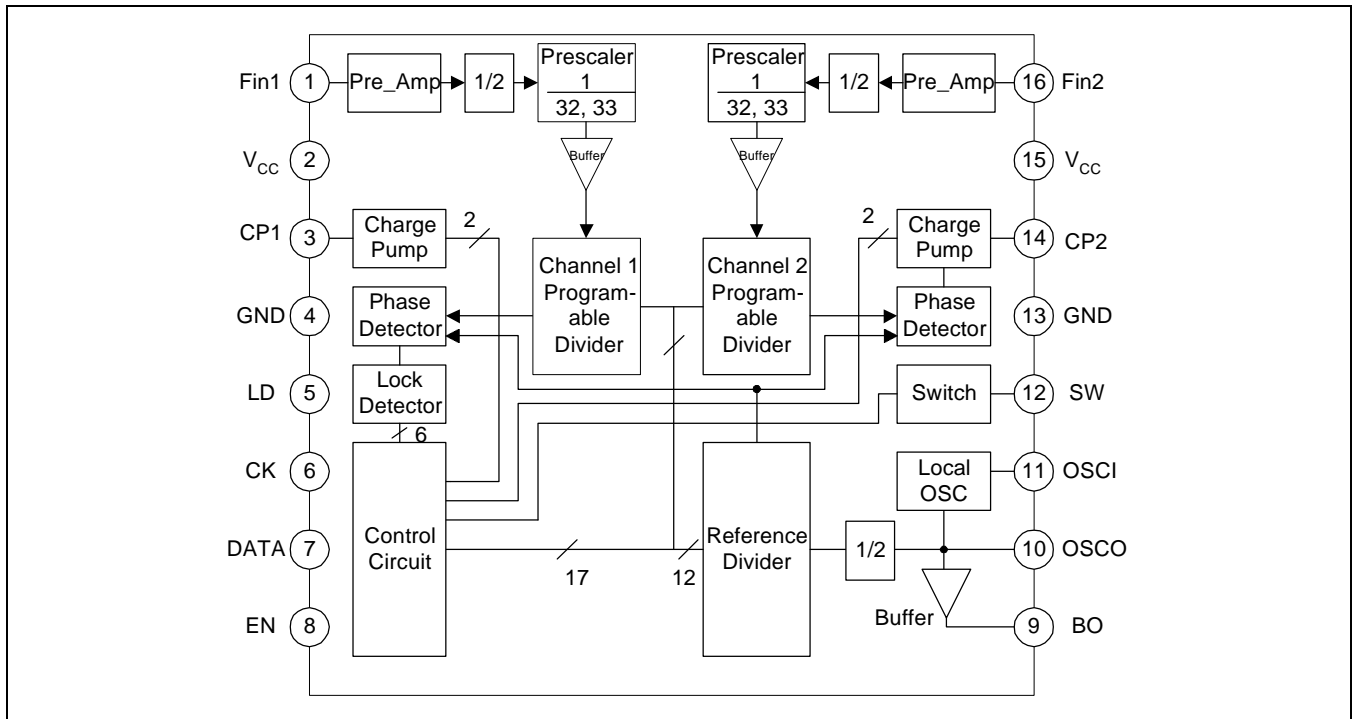
Device	Package	Operating Temperature
+KB8825	16-TSSOP-0044	-30 °C to + 85 °C

+: New product

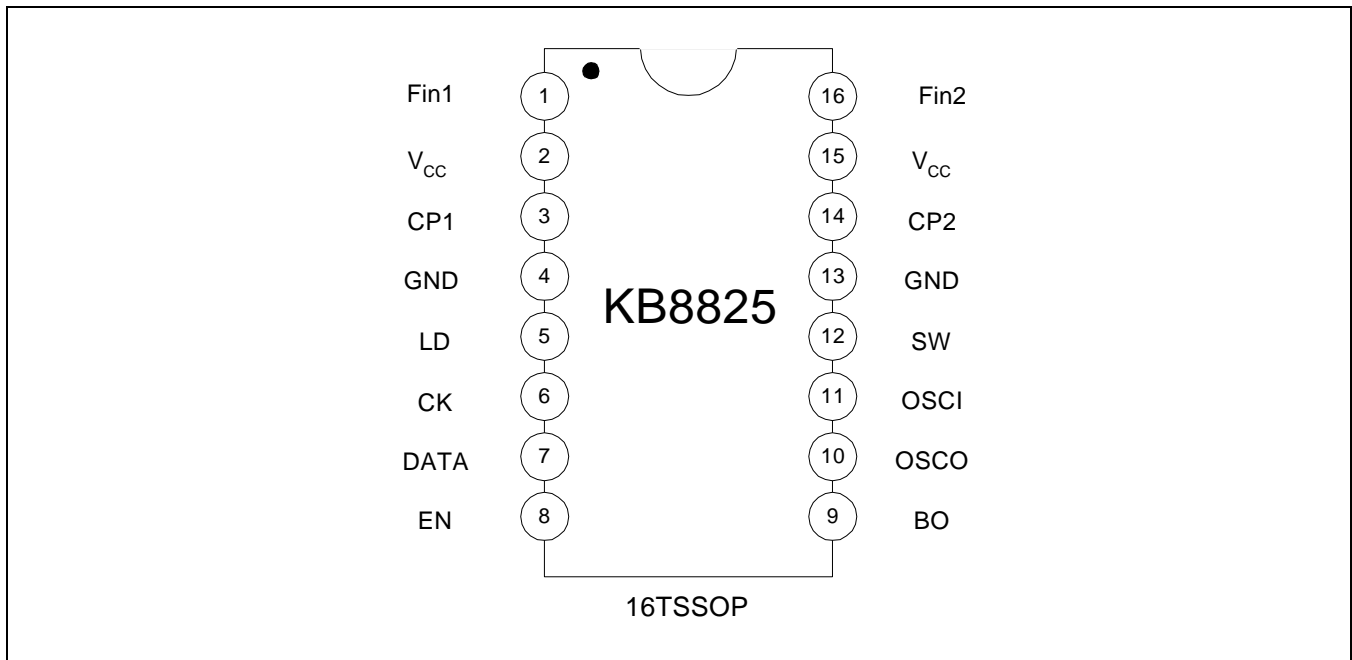
APPLICATIONS

- Cordless telephone systems
- Portable wireless communications (PCS)
- Wireless Local Area Networks (WLANS)
- Other wireless communication systems

BLOCK DIAGRAM



PIN CONFIGURATION



PIN DESCRIPTION

Pin No.	Symbol	I/O	Description
1	Fin1	I	Input terminal of channel 1 RF signal.
2, 15	Vcc	-	Power supply voltage input. PIN2 and PIN15 are connected together.
3	CP1	O	Output terminal of channel 1 charge pump. Charge pump is constant current output circuit, and output current is selected by input serial data.
4, 13	GND	-	Terminal of GND. PIN4 and PIN13 are connected in common.
5	LD	O	Output terminal of lock detection. It is the open drain output.
6	CK	I	Input terminal of clock.
7	DATA	I	Input terminal of data.
8	EN	I	Input terminal of enable signal.
9	BO	O	Output terminal of buffer amplifier. The signal of local oscillation is output through the buffer amplifier.
10	OSCO	O	Output terminal of local oscillation signal.
11	OSCI	I	Input terminal of local oscillation signal. In case of external input, connecting it to this terminal.
12	SW	O	Switchover terminal for the time constant of loop filter. It is an open drain output. If you don't switch the time constant of loop filter, general output is available.
14	CP2	O	Output terminal of channel 2 charge pump. Charge pump is a constant current output circuit, and the output current is selected by input serial data.
16	Fin2	I	Input terminal of channel 2 RF signal.

ABSOLUTE MAXIMUM RATINGS

Characteristic	Symbol	Value	Unit
Power Supply Voltage	Vcc	6	V
Power Dissipation	P _D	600	mW
Operating temperature	T _{OPR}	-30 ~ + 85	°C
Storage temperature	T _{STG}	-55~ +150	°C

 **Take care ! ESD sensitive device**

ELECTRICAL CHARACTERISTICS

(Ta = 25°C, V_{CC} = 3V, unless otherwise specified)

Characteristic	Symbol	Test Conditions	Min.	Typ.	Max.	Unit	
Operating Power supply voltage	V _{CC}	Fin1=Fin2= 200MHz ~ 550MHz	2.2	3.0	5.5	V	
		Fin1=Fin2= 550MHz ~ 1.1GHz	2.7	3.0	3.6	V	
Operating current consumption	I _{CC}	Fin1=Fin2=1.1GHz/ -5dBm input	3.5	5.5	7.5	mA	
Standby current	I _{SB}	Standby mode	-	0	10	μA	
Fin operating frequency	Fin	Fin1 = Fin2 = - 5dBm	200	-	1100	MHz	
Fin input sensitivity	Fin	Fin1 = Fin2 = 200MHz	V _{CC} =2.2V	- 15	-	0	dBm
			V _{CC} =3.0V	- 15	-	0	
			V _{CC} =5.5V	- 10	-	0	
		Fin1 = Fin2 = 550MHz	V _{CC} =2.2V	-15	-	0	
			V _{CC} =3.0V	-15	-	0	
			V _{CC} =5.5V	- 10	-	0	
		Fin1 = Fin2 = 1.1GHz	V _{CC} =2.7V	- 10	-	0	
			V _{CC} =3.0V	- 10	-	0	
			V _{CC} =3.6V	- 10	-	0	
OSCI operating frequency	F _{osc}	V _{Fin} = 0dBm, sinewave	5	-	25	MHz	
OSCI input voltage	V _{osc}	f _{osc} = 10MHz	V _{CC} =2.2V	- 10	0	5	dBm
			V _{CC} =3.0V	- 10	0	5	
			V _{CC} =5.5V	0	-	5	
		f _{osc} = 20MHz	V _{CC} =2.2V	- 10	0	5	
			V _{CC} =3.0V	- 10	0	5	
			V _{CC} =5.5V	- 5	0	5	
Serial data input high voltage (CK, DATA, EN)	V _{IH}	V _{CC} = 2.2 to 5.5V	V _{CC} - 0.4	-	-	V	
Serial data input low voltage (CK, DATA, EN)	V _{IL}	V _{CC} = 2.2 to 5.5V	-	-	0.4	V	
Charge pump output current	I _{CP1}	CP1 = 0, CP2 = 0 V _C P = 1.5 V	-	± 100	-	μA	
	I _{CP2}	CP1 = 0, CP2 = 1 V _C P = 1.5V	-	± 200	-	μA	
	I _{CP3}	CP1 = 1, CP2 = 0 V _C P = 1.5V	-	± 400	-	μA	
	I _{CP4}	CP1 = 1, CP2 = 1 V _C P = 1.5V	-	± 800	-	μA	
Charge pump leakage	I _{CPL}	Standby mode, V _{CP} = 1.5V	-1	-	+1	μA	

FUNCTIONAL DESCRIPTIONS

SERIAL DATA INPUT AND TIMING

CK (Pin6), DATA (Pin7), EN (Pin8) terminals in KB8825 are used for MICOM (MPU) serial data interface (MSB: 1st input data; LSB: Last input data). Serial data controls the programmable reference divider, programmable divider (CH1), programmable divider (CH2), and control latch separately by means of group code. Binary serial data is entered via the DATA pin.

One bit of data is shifted into the internal shift register on the rising edge of the clock. When EN pin is high, stored data is latched. The three terminals, CK, DATA, and EN, contain Schmitt trigger circuits to keep the data from errors caused by noise, etc.

< Notice >

1. When power supply of KB8825 is disconnected, CLK, DATA, EN port from MCU should be pulled low.
2. When power goes up first, R counter data should be entered earlier than N1 and N2 counter data.
3. When power goes up first, control data should be entered earlier than N1 and N2 counter data.

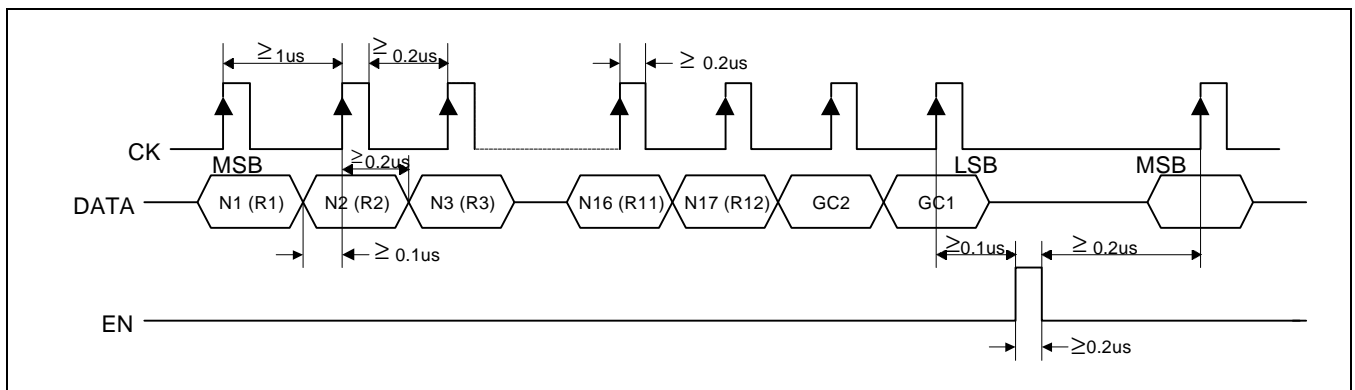


Figure 1.

NOTE: Start data input with MSB first

SERIAL DATA GROUP AND GROUP CODE

The IC can be controlled through 4 kinds of group selection. Each group is identified by selective a 2-bit group code given below.

Serial Bits		Group Location
GC1 (LSB)	GC2 (LSB-1)	
0	0	Control Latch
0	1	Ch 1 N Latch
1	0	Ch 2 N Latch
1	1	OSC R Latch

CONTROL LATCH

The control register executes the following functions:

- Mode selection (H: test mode, L: normal mode)
- Charge pump's polarity and output current selection for each channel.
- Output state selection for Lock Detector.
- Standby control of each channel and reference divider.
- ON / OFF control in filter switch.

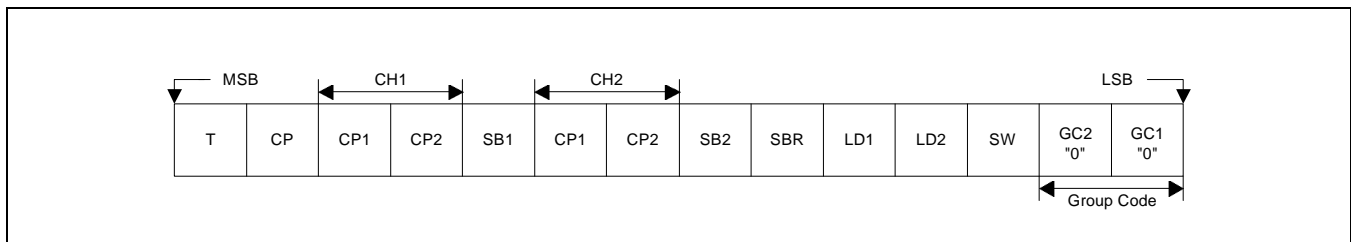


Figure 2.

Bit	Bit 1	Bit 2	Bit 3	Bit 4	Bit 5	Bit 6	Bit 7
Name	T	CP	CP1	CP2	SB1	CP1	CP2
Description	test mode	charge pump out polarity	channel 1 charge pump output current	channel 1 charge pump output current	channel 1 standby	channel 2 charge pump output current	channel 2 charge pump output current

Bit	Bit 8	Bit 9	Bit 10	Bit 11	Bit 12	Bit 13	Bit 14
Name	SB2	SBR	LD1	LD2	SW	GC2	GC1
Description	channel 2 standby	reference divider standby	lock detector control 1	lock detector control 2	filter switch	group code "0"	group code "0"

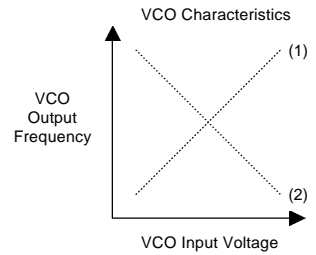
CHARGE PUMP OUTPUT POLARITY (CP)

In normal operation, the CP should be “0”. In reverse operation, the CP should be “1”.

Depending upon VCO characteristics, CP should be set accordingly;

When VCO characteristics are like (1), CP should be set low

When VCO characteristics are like (2), CP should be set high.



CHARGE PUMP OUTPUT CURRENT (CP1, CP2)

The KB8825 includes a constant current output type charge pump circuit.

Output current is varied according to control bit “CP1” and “CP2”.

In order to get high speed lock-up, select the best charge pump output current.

Control Bit		Charge Pump Output Current
CP1	CP2	
0	0	±100 μA
0	1	±200 μA
1	0	±400 μA
1	1	±800 μA

TEST MODE AND LOCK DETECTOR OUTPUT (T, LD1, LD2)

When T is normal "0", LD (Pin5) state is varied by controlling "SB1", "SB2", "LD1" and "LD2".
When T is high "1", LD (Pin5) state is changed to be useful for test

T	SB1	SB2	LD1	LD2	LD Output State
0	0	0	0	0	low
			0	1	channel2
			1	0	channel1
			1	1	channel1. AND. channel2
		1	0	0	low
			0	1	high
			1	0	channel1
			1	1	channel1
	1	0	0	0	low
			0	1	channel2
			1	0	high
			1	1	channel2
		1	0	0	low
			0	1	high
			1	0	high
			1	1	high
1	1	0	0	0	low
			0	1	pres2
			1	0	fpll2
			1	1	fref
	0	1	0	0	div4
			0	1	pres1
			1	0	fpll1
			1	1	fosc/2
	1	1	×	×	low
	0	0	×	×	low

LOCK DETECTOR OUTPUT

When the phase comparator detects a phase difference, LD (Pin5) outputs “L”.
 When the phase comparator locks, LD outputs “H”. On standby, it outputs “H”.
 When T is less than 2/fosc (T < 2 /fosc) for more than three cycles of reference divider output as in the figure below, the lock detector outputs “H”.

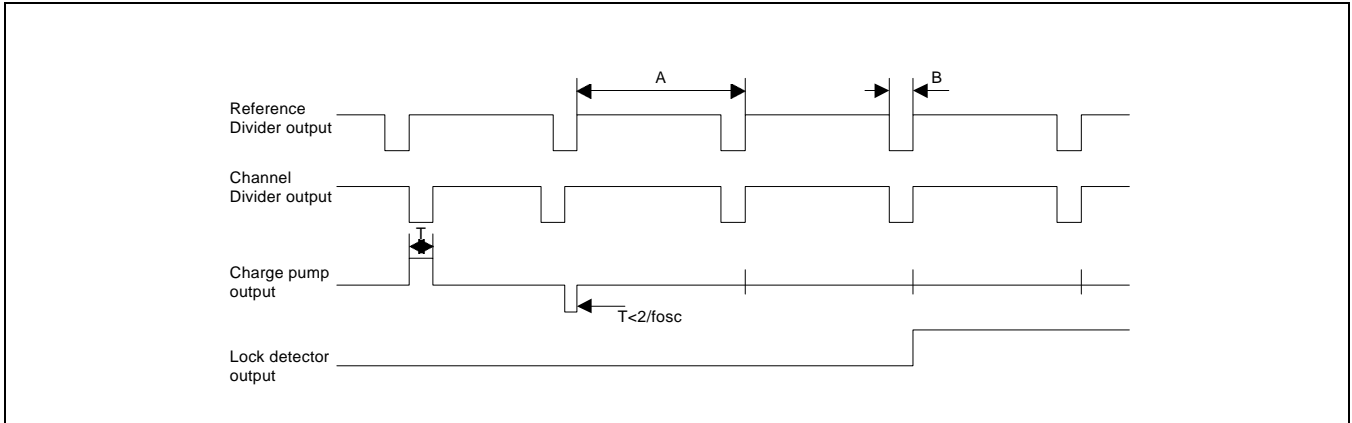


Figure 3. Lock Detector Output

fosc: OSCI operating frequency (LOCAL OSC).

T: time difference of the pulse between reference divider output and channel divider output.

$$A = \frac{\text{Number of divisions by reference divider}}{f_{osc}} \quad (\text{s})$$

$$B = \frac{2}{f_{osc}} \quad (\text{s})$$

PROGRAMMABLE STANDBY MODE (SB1, SB2, SBR)

Standby mode can be controlled by 3-control bits such as SB1, SB2 and SBR. SB1 and SB2 can control standby mode of channel 1 and channel2. The “SBR” bit can do ON / OFF control of reference divider.

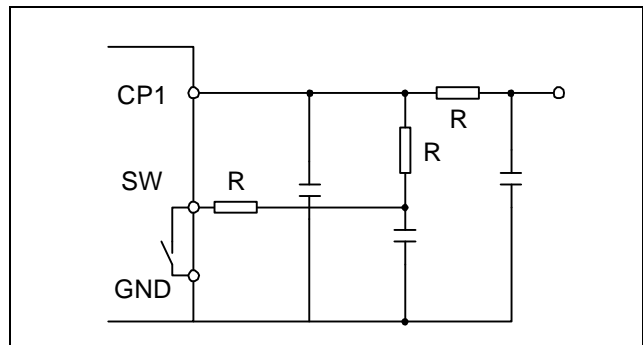
Control Bit			Standby Mode State			
SB1	SB2	SBR	CH1	CH2	REF	Mode Status
0	0	×	ON	ON	ON	Inter locking Mode
0	1	×	ON	OFF	ON	CH1 Locking Mode
1	0	×	OFF	ON	ON	CH2 Locking Mode
1	1	0	OFF	OFF	ON	REF On Mode
1	1	1	OFF	OFF	OFF	Standby Mode

FILTER SWITCH CONTROL (SW)

The operation mode of the SW terminal is set by bit “SW”.
 SW control is useful for switching the time constant of the loop filter.
 Output type of this terminal is an open drain output. High lock mode or normal lock mode can be used, taking advantage of filter switch control (SW) with the charge pump output current.
 When fast lock function can't be used, normal lock mode is available.

Control Bits			Operation Mode
SW	CP1	CP2	
0	0	0	Normal Lock Mode
0	0	1	
0	1	0	
0	1	1	
1	0	0	High Lock Mode
1	0	1	
1	1	0	
1	1	1	

(SW and LPF example) The third order LPF



CRYSTAL OSCILLATOR CIRCUIT (OSCI, OSCO) AND BUFFER OUT (BO)

External capacitors C1, C2, C3, and C4 are required to set the proper crystal's load capacitance and oscillation frequency as shown in figure 4. The value of the capacitors is dependent on the crystal chosen.
 The BO (Pin9) outputs local oscillation signal with buffer amplifier.
 This terminal (Pin9) can be applied to the 2nd mixer input

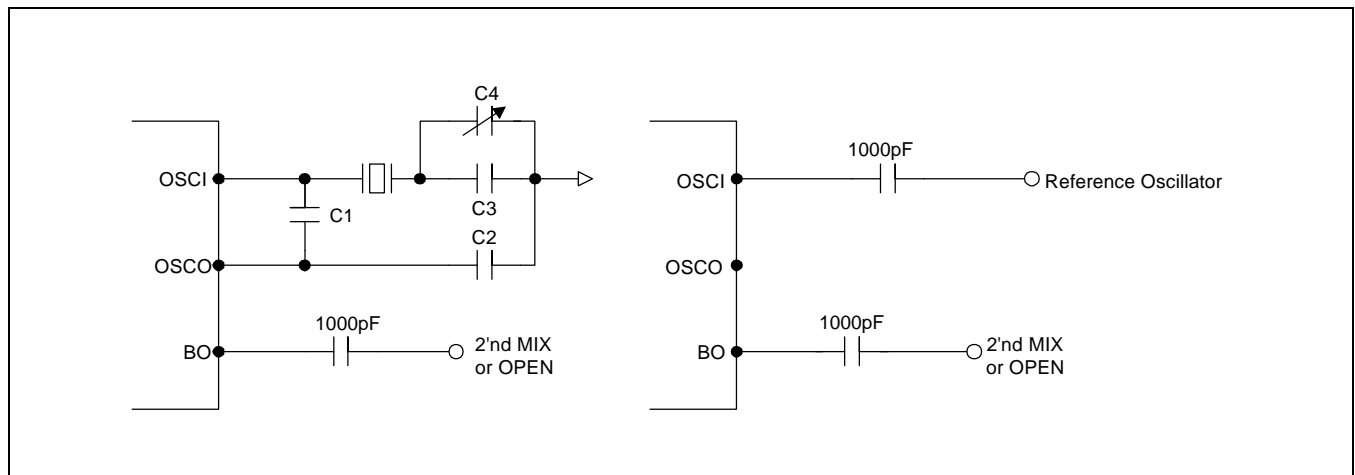


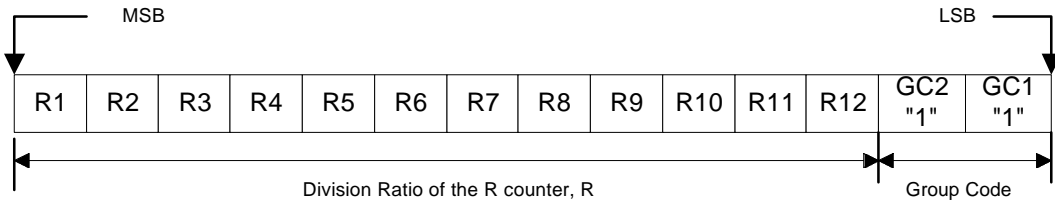
Figure 4.

PROGRAMMABLE REFERENCE COUNTER

This block generates the reference frequency for the PLL.

The reference divider is composed of 12-bit reference divider and a half fixed divider

Sending certain data to the reference divider allows the setting of any of 6 to 8190 divisions (multiple of two).



$$R = R1 \times 2^0 + R2 \times 2^1 + \dots + R12 \times 2^{11}$$

$$\text{Division ratio: } 2 \times R = 2 \times (3 \sim 4095) = 6 \sim 8190$$

Data is shifted in MSB first.

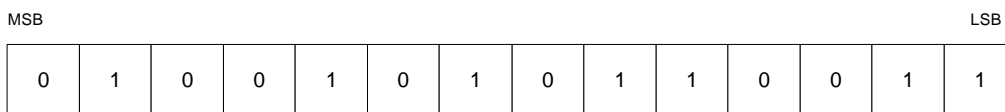
Division Ratio	R12	R11	R10	R9	R8	R7	R6	R5	R4	R3	R2	R1
3	0	0	0	0	0	0	0	0	0	0	1	1
4	0	0	0	0	0	0	0	0	0	1	0	0
•	•	•	•	•	•	•	•	•	•	•	•	•
4095	1	1	1	1	1	1	1	1	1	1	1	1

Example) A 21.25MHz X-tal oscillator is connected, and divided into 25kHz steps.
(Reference frequency is 12.5kHz)

$$21.25 \text{ MHz} \div 12.5 \text{ kHz} = 1700$$

$$1700 = 2 \times R$$

$$R = (850)_{10} = (1101010010)_2$$



CHANNEL 1, CHANNEL 2 PROGRAMMABLE N COUNTER

These programmable dividers are composed of a 5-bit swallow counter (5-bit programmable divider), 12-bit programmable main counter, and two-modulus prescalers providing 64 and 66 divisions. Sending certain data to the swallow counter and the 12-bit programmable main counter allows the setting of any of 2048 to 262142 divisions (multiple of two). The 12-bit programmable divider and swallow counter are set by each channel; each channel is identified by a group code.

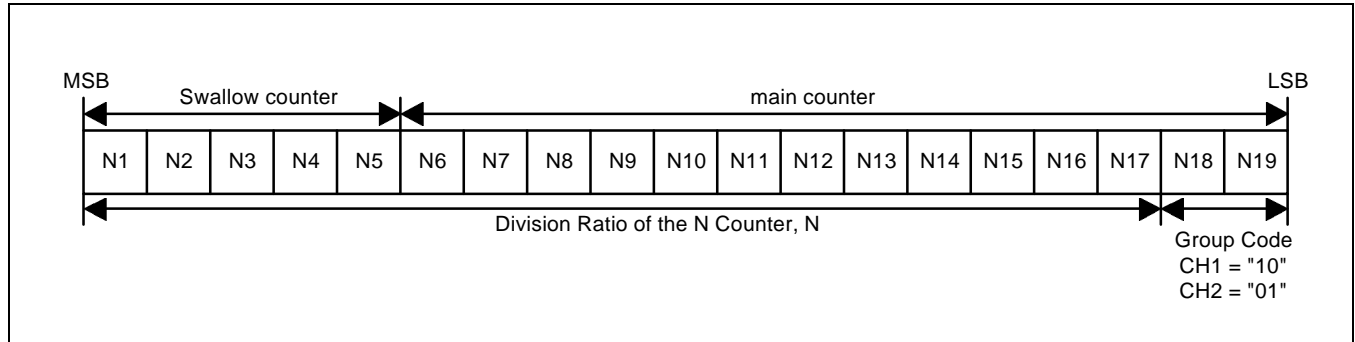


Figure 5.

5-BIT SWALLOW COUNTER DIVISION RATIO (A COUNTER)

$$A = N1 \times 2^0 + N2 \times 2^1 \dots N5 \times 2^4$$

Division ratio: 0 to 31, $B \geq A$

Division Ratio (A)	N5	N4	N3	N2	N1
0	0	0	0	0	0
1	0	0	0	0	1
•	•	•	•	•	•
31	1	1	1	1	1

12-BIT MAIN COUNTER DIVISION RATIO (B COUNTER)

$$B = N6 \times 2^0 + N7 \times 2^1 + N7 \times 2^2 \dots N17 \times 2^{11}$$

Division ratio: 3 to 4095
Data is shifted in MSB first

Division Ratio (B)	N17	N16	N15	N14	N13	N12	N11	N10	N9	N8	N7	N6
3	0	0	0	0	0	0	0	0	0	0	1	1
4	0	0	0	0	0	0	0	0	0	0	0	0
•	•	•	•	•	•	•	•	•	•	•	•	•
4095	1	1	1	1	1	1	1	1	1	1	1	1

Channel1 and 2 Programmable Counter Division Ratio, N

$$N = 2 \times (32 \times B + A), B \geq A$$

Division ratio: 192 ~ 262142

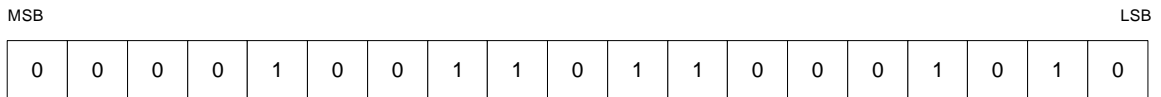
Example) A Signal of 453 MHz is entered into Fin1, and divided into 25 kHz steps.

(Reference frequency is 12.5 kHz)

$$453 \text{ MHz} \div 12.5 \text{ kHz} = 36240$$

$$36240 = 2 \times (32 \times B + A)$$

$$\therefore B = (1132)_{10} = (10001101100)_2, A = (16)_{10} = (10000)_2$$



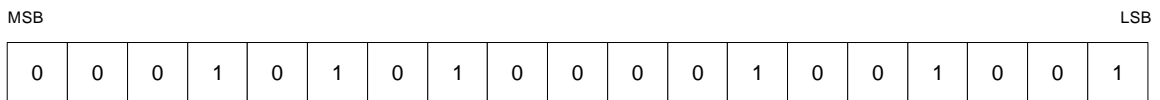
Example) A Signal of 462.9 MHz is entered into Fin2, and divided into 25 kHz step.

(Reference frequency is 12.5 kHz)

$$462.9 \text{ MHz} \div 12.5 \text{ kHz} = 37032$$

$$37032 = 2 \times (32 \times B + A)$$

$$\therefore B = (1157)_{10} = (10010000101)_2, A = (8)_{10} = (01000)_2$$



PHASE DETECTOR AND CHARGE PUMP CHARACTERISTICS

Phase difference detection Range: $-2\pi \sim +2\pi$

When SW = Low

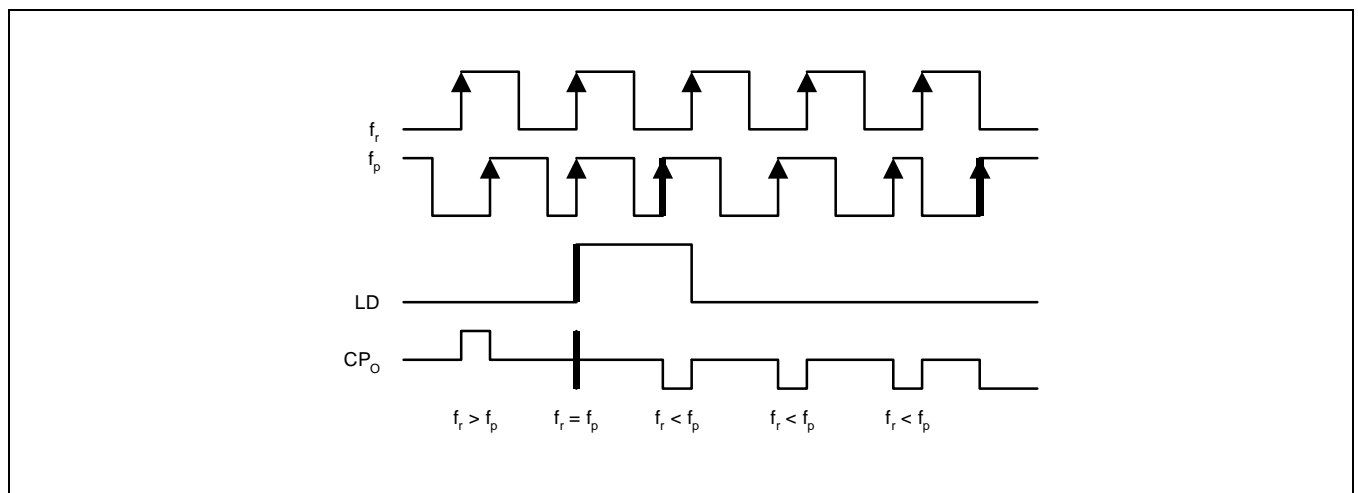
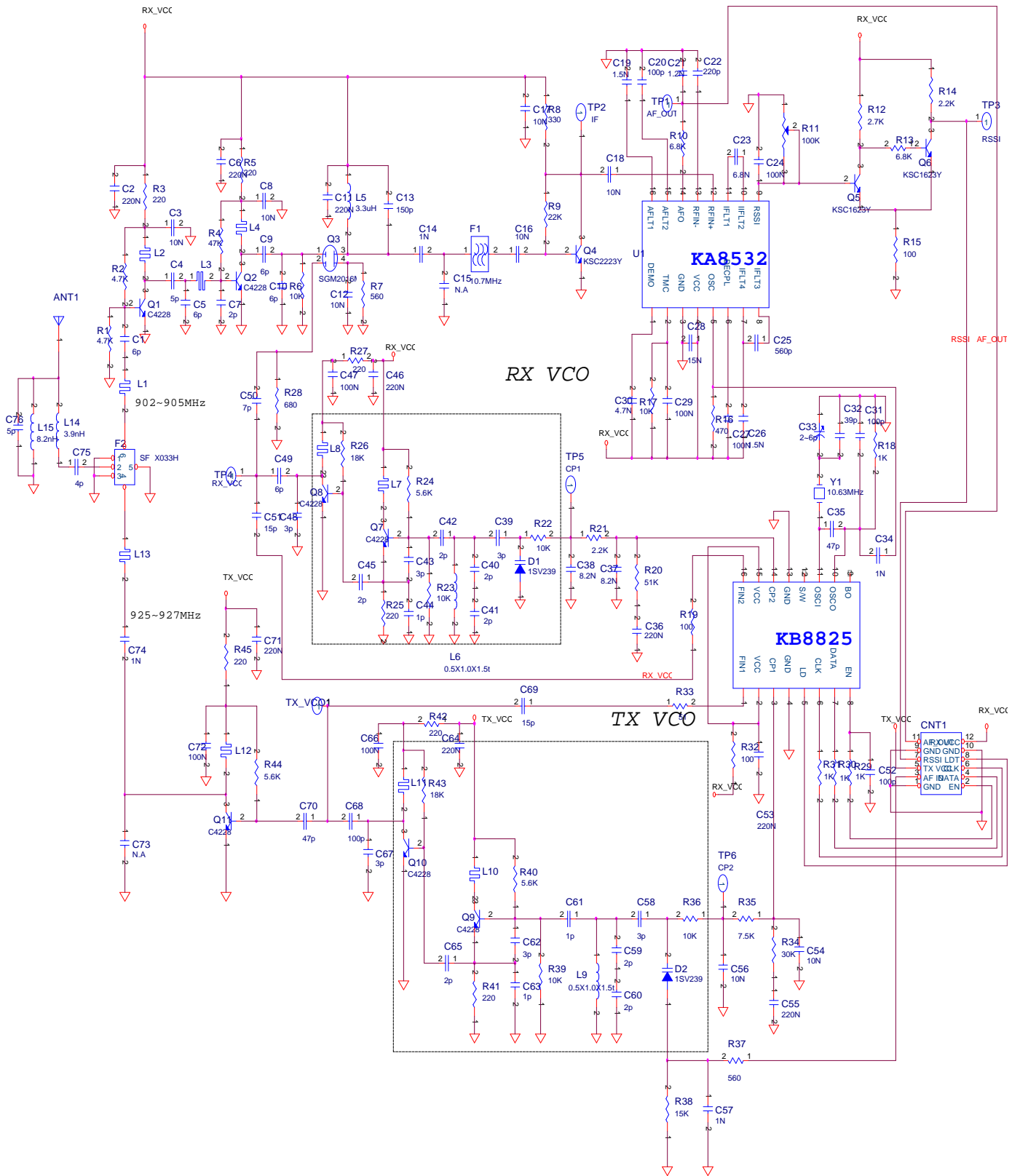
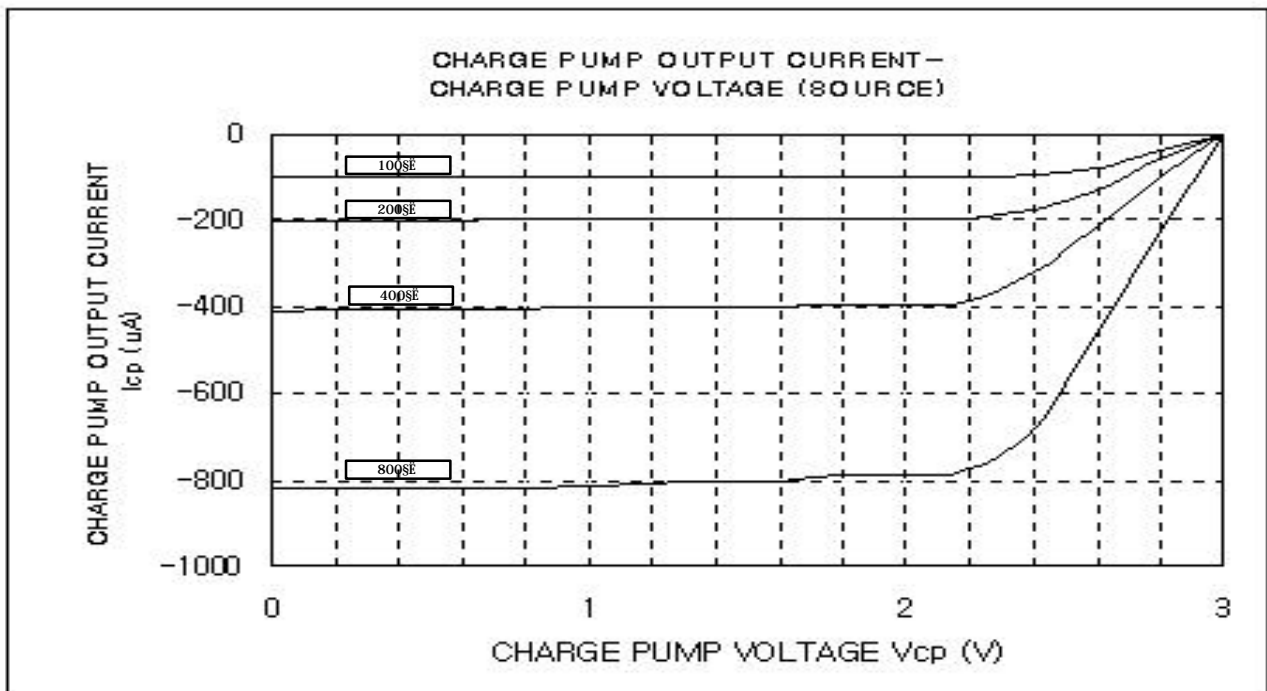
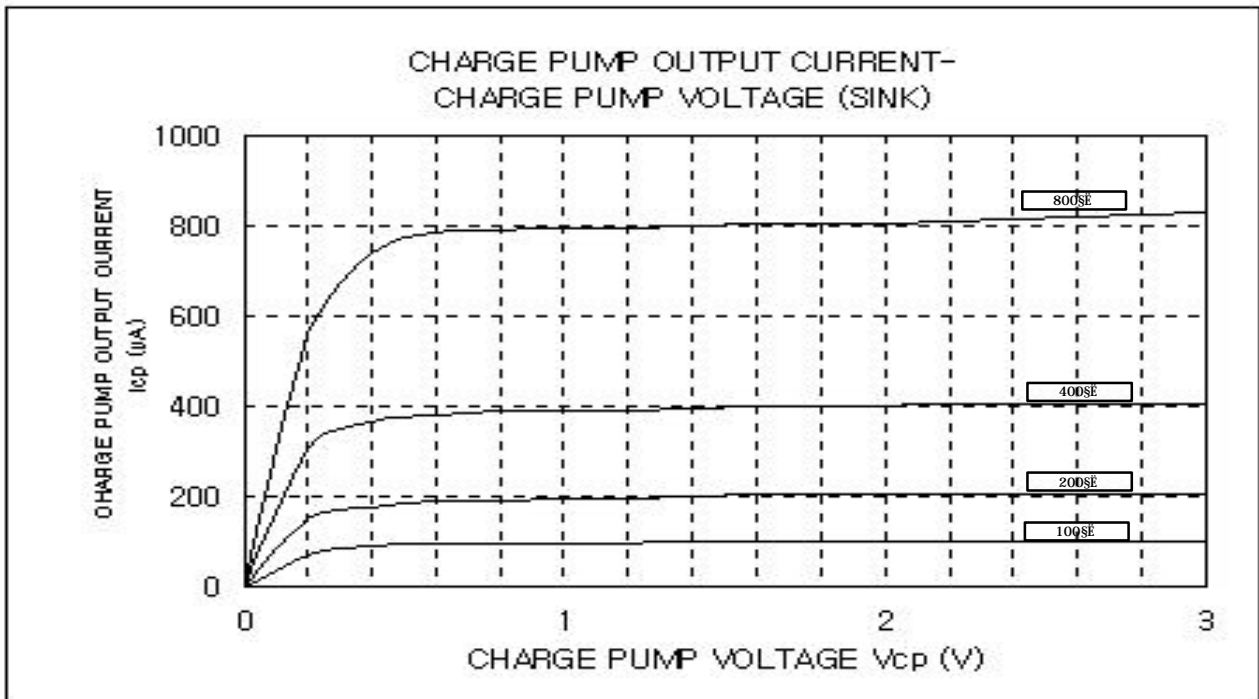


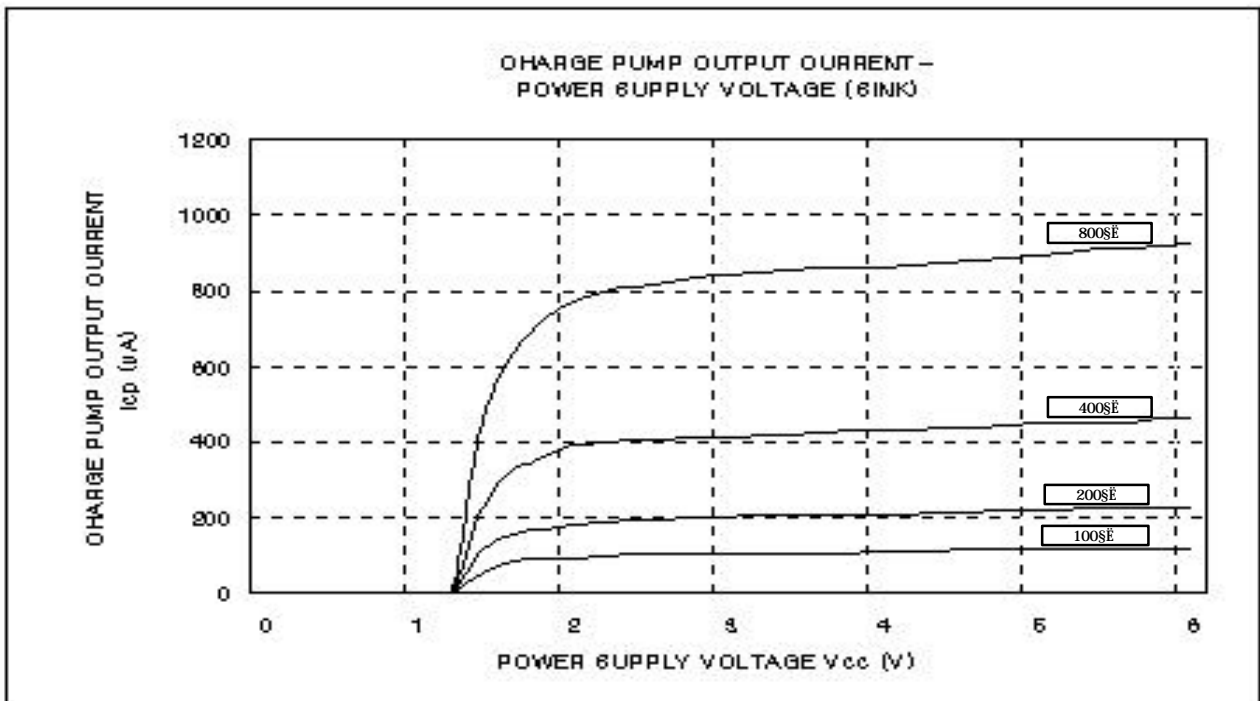
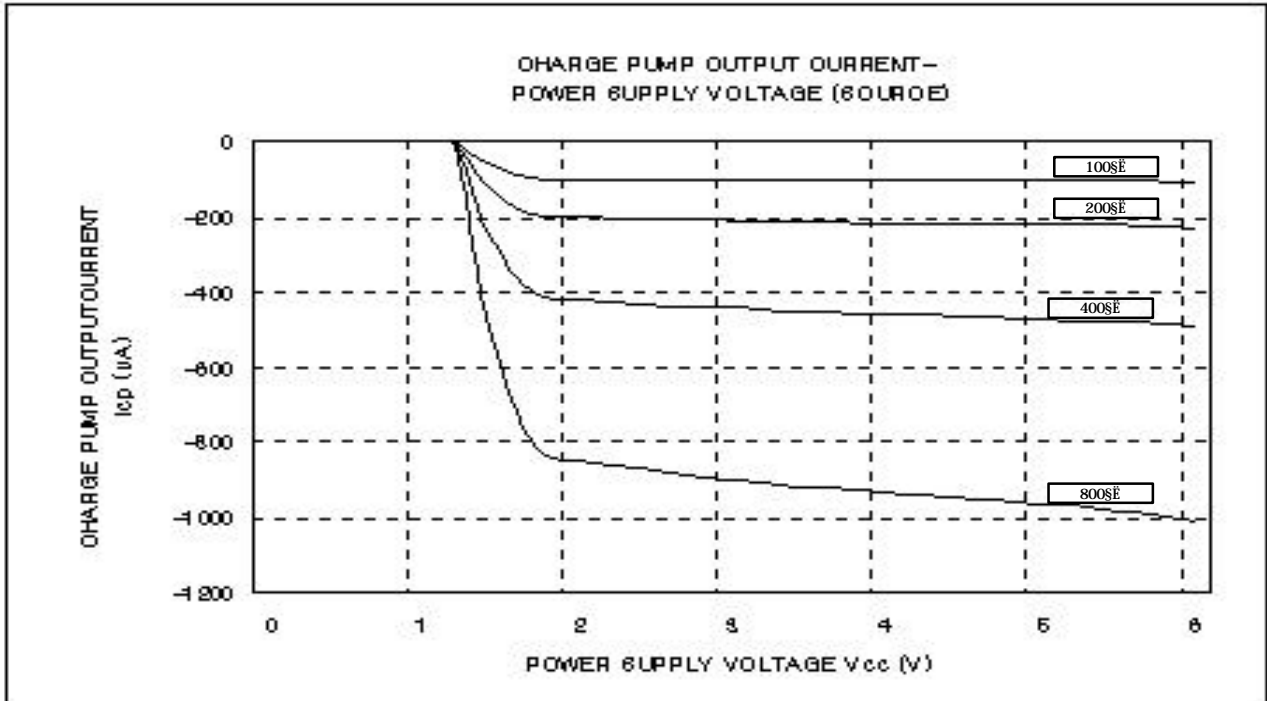
Figure 6.

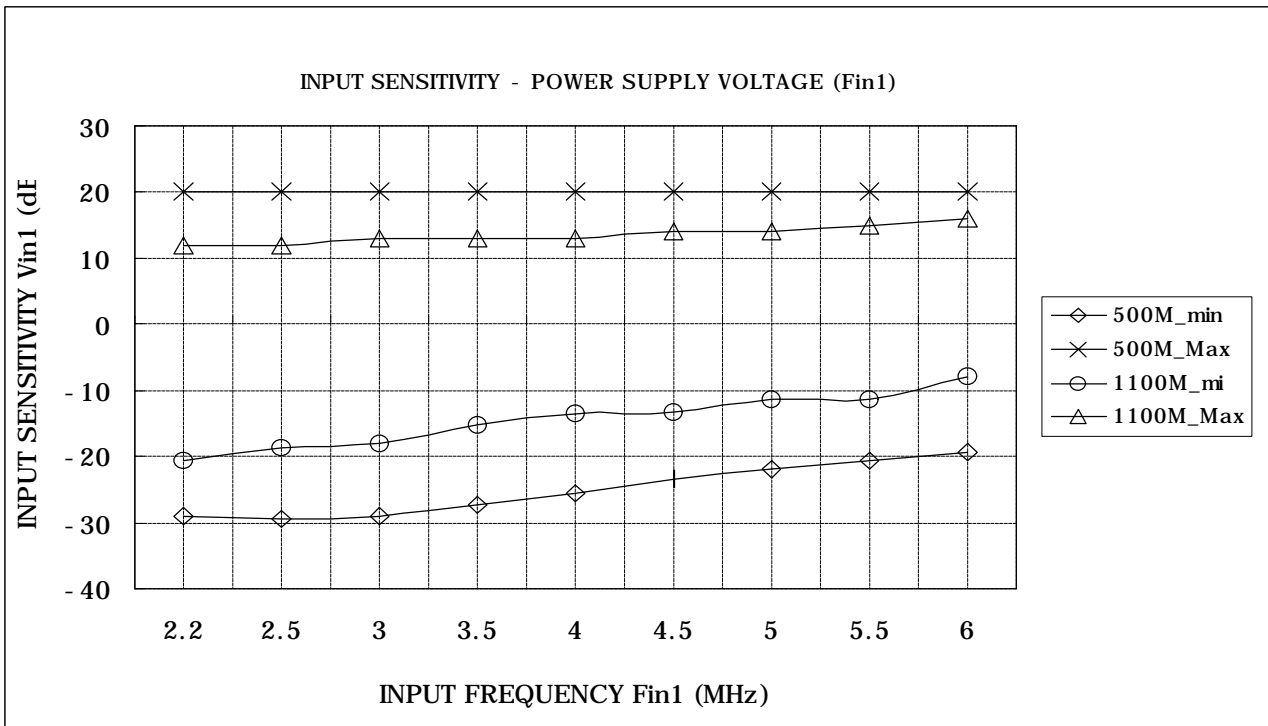
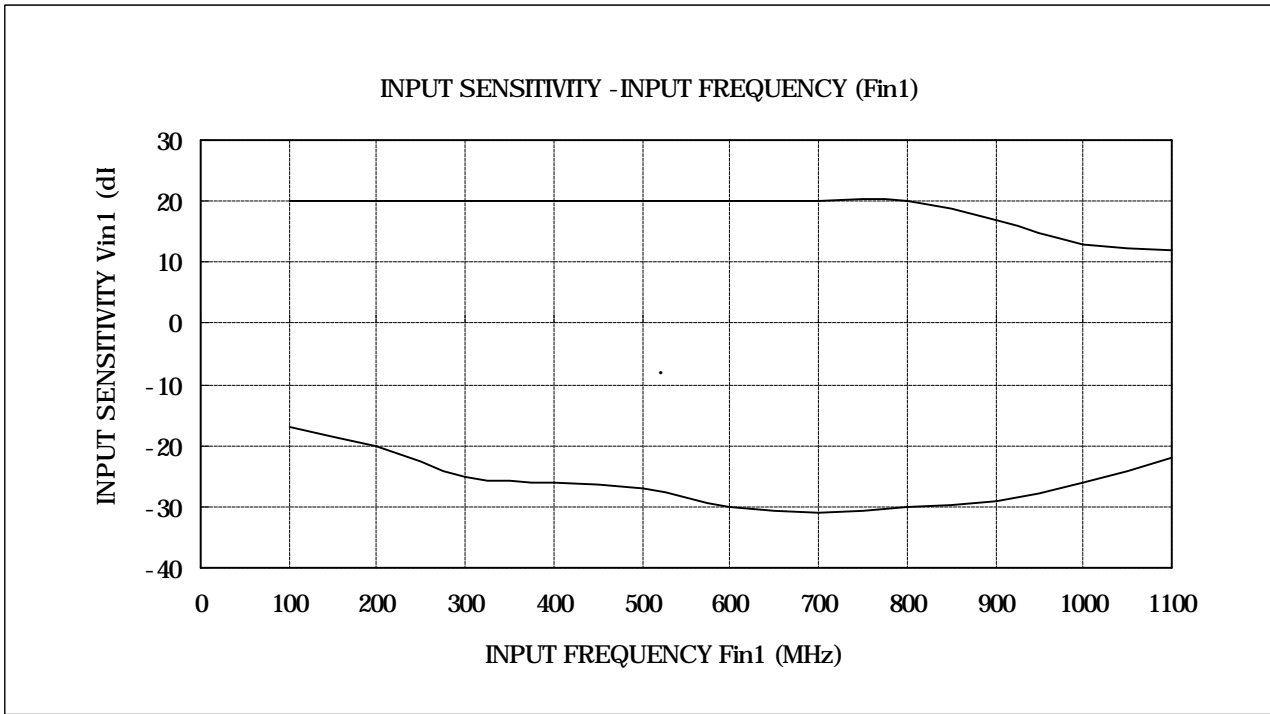
APPLICATION CIRCUIT (HANDSET)

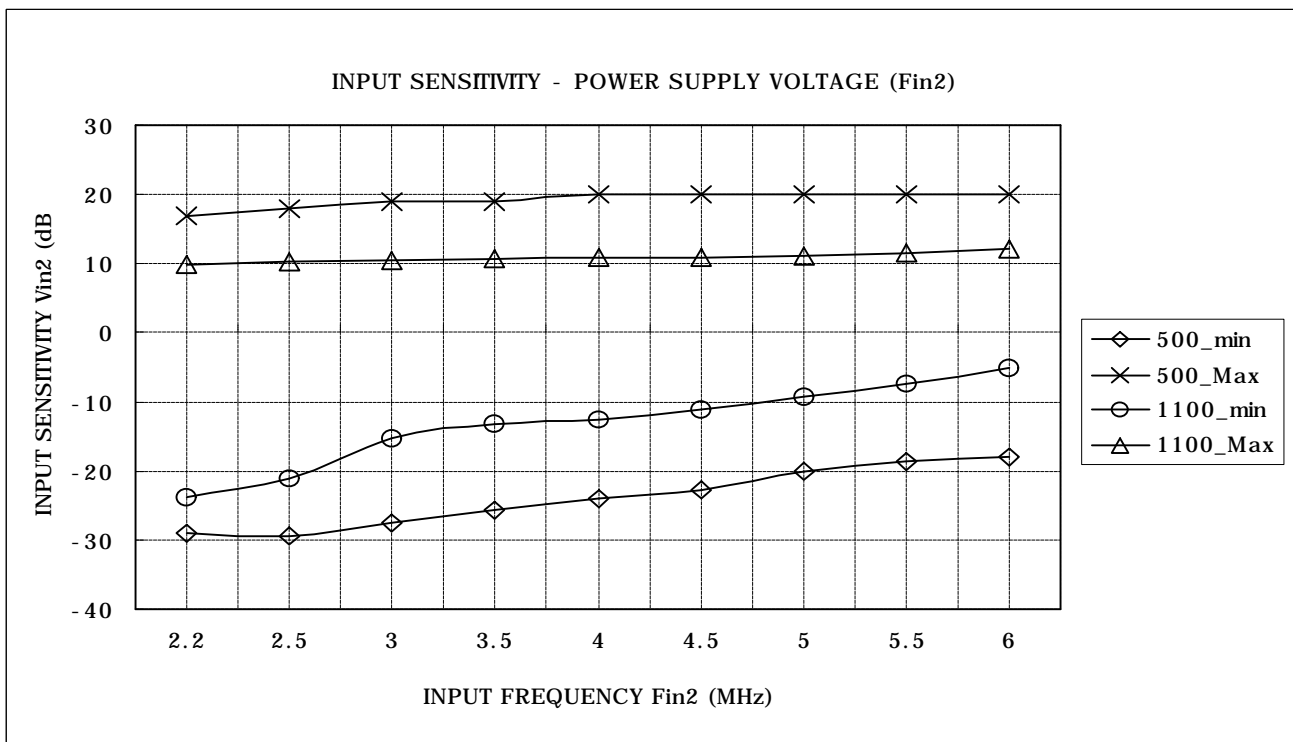
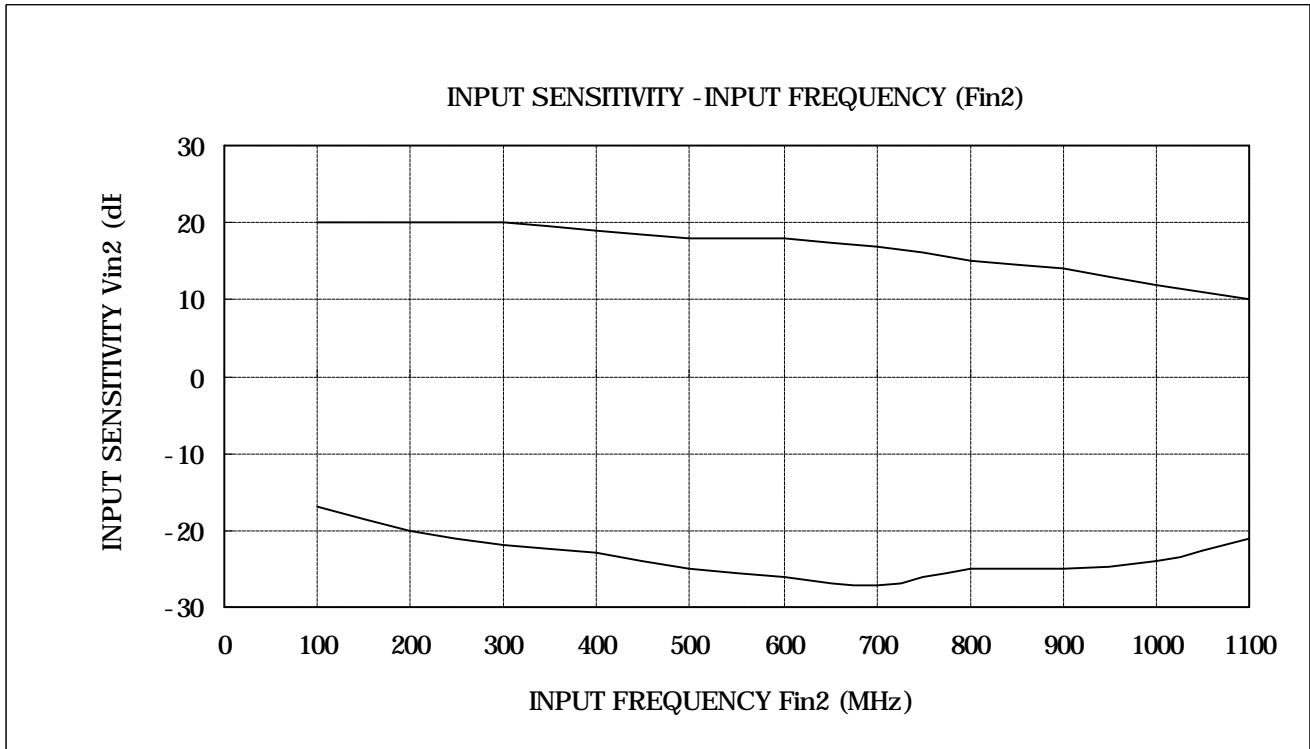


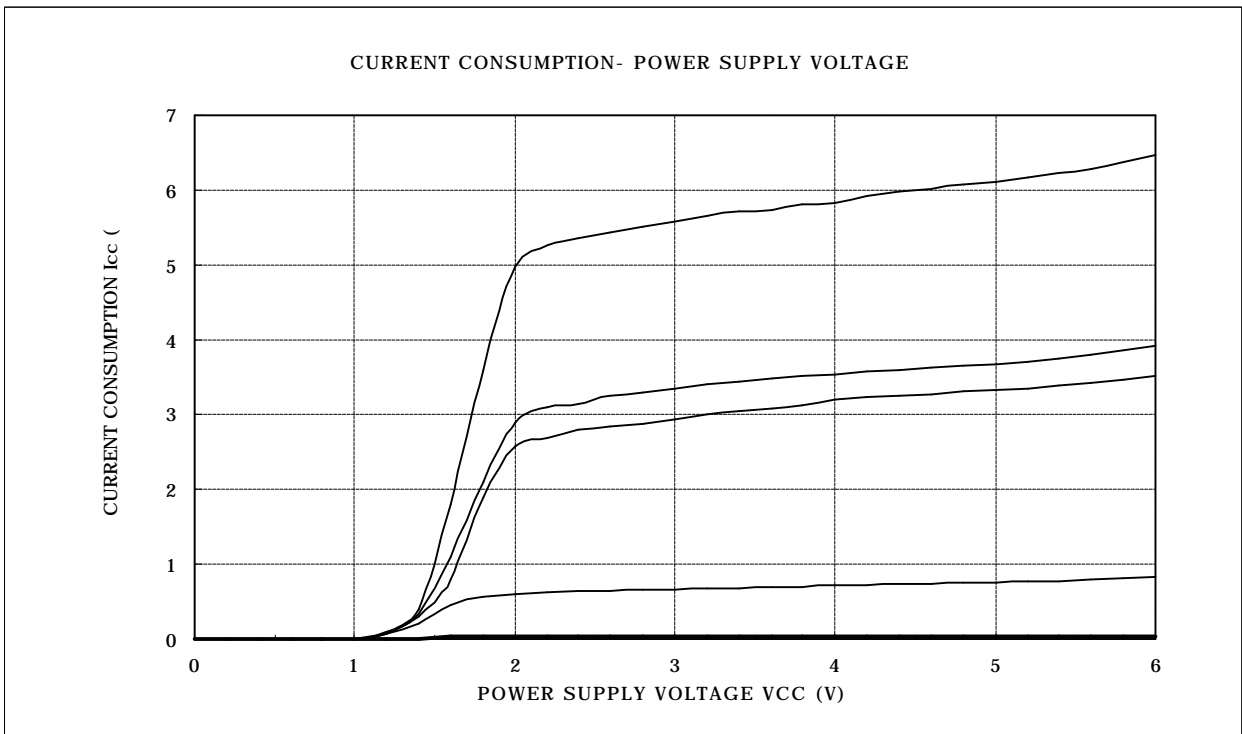
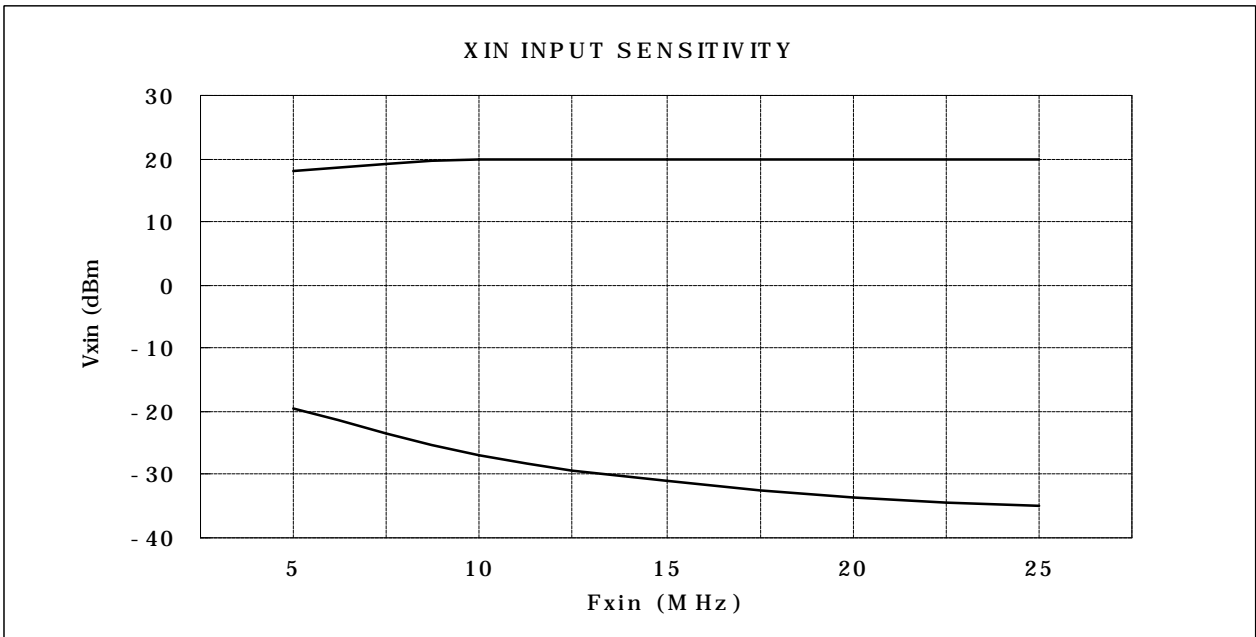
CHARACTERISTIC GRAPH











NOTES