

JA3507 (HF3507)

WIPER CONTROLLER



Typical Applications

Wiper control

Features

- Maturing circuit, stable and reliable
- Solid base design, stable structure
- Wiper automatic positioning implementation

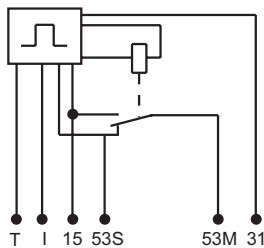
CHARACTERISTICS

Norminal voltage	12VDC	Ambient temperature	-40°C to 85°C
Operating voltage range	9VDC to 16VDC	Vibration resistance	10Hz to 200Hz 49m/s ² (5g)
Contact rating	Wiper: 5A 13.5VDC	Shock resistance	196m/s ² (20g)
Wiping time	3.5s + 2.5s	Weight	Approx. 35g
Intermission time	5.5s ± 1.5s	Mechanical data	cover retention (pull & push): 250N min. terminal retention (pull & push): 110N min.
Electrical endurance	1×10 ⁵ OPS (Wiper 5A 13.5VDC)		

OUTLINE DIMENSIONS AND WIRING DIAGRAM

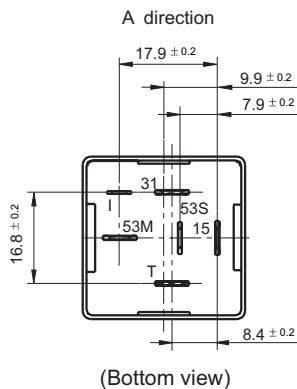
Unit: mm

Wiring Diagram

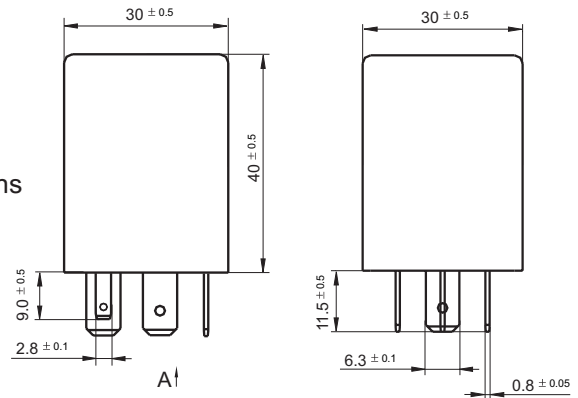


1. As shown in left wiring diagram, for JA3507, terminal 15 is connected with anode of 12VDC, terminal 31 with cathode, terminal I and 53M with combination switch, terminal 53S with wiper's turbine switch, and terminal T with cleaning pump switch.
2. Interval wiping: When terminal 53M is connected with wiper through combination switch, terminal I is powered with 12VDC through combination switch, inner relay moves, terminal 53M and 15 open, wiper runs. After terminal 53S gets the feedback signal of 0V, inner relay releases, terminal 53M and terminal 15 close. 5.5s ± 1.5s later, repeat the course above.
3. Washing: when terminal T is powered with 12VDC, inner relay runs, terminal 53M and terminal 15 close, wiper starts to run until the 12VDC voltage on terminal T is removed and time delay 3.5s + 2.5s. After terminal 53S gets the feedback information of 0VDC, inner relay releases, and wiper stops running.
4. JA3507 includes the function of automatic positoning.

Terminal Layout



Outline Dimensions



HONGFA RELAY

ISO9001、ISO/TS16949、ISO14001、OHSAS18001 CERTIFIED

2007 Rev. 1.00