



IT 600-S

HIGH ACCURACY CURRENT TRANSDUCER

Basic specifications	
Primary current I (max.)	0 .. 600 A
Polarity	Bipolar
Output current (max.)	0 .. 400 mA
Overload capacity :	
Normal operation	100 %
Basic function maintained	110 %
Fault	500 % (0.1 s)
External Burden resistor - see fig. 1 :	
Max.	100 Ω
Min.	2.5 Ω
Current transfer ratio	1500 : 1
Linearity	< 1 ppm
Measuring/ratio stability :	
Initial	< 2 ppm
v.s. temperature	< 0.3 ppm/°C
v.s. time	< 1 ppm/month
Offset :	
Initial	4 μ A
v.s. temperature	0.1 μ A/°C
Output noise (RMS) :	
DC .. 10 Hz	< 0.02 μ A
DC .. 10 kHz	< 1.2 μ A
DC .. 50 kHz	< 4 μ A
Feedback noise (RMS), DC .. 50 kHz (measured on the primary current cable - one turn)	< 10 μ V (typ 5 μ V)
Busbar free zone (from center)	r > 70 mm
di/dt accurately followed	> 100 A/ μ s
Bandwidth (3 dB, small signal 0.5 %)	DC .. 100 kHz
Test voltage (pin 4 - ground to a \varnothing 25 busbar)	5 kV AC (RMS)
Operating temperature	10 .. 50°C
Input power requirement	max. power consumption 5 VA \pm 15 V < \pm 5 % + 15 V : 200 mA, - 15 V : 50 mA + compensation current
Mechanical dimensions	122 x 98 x 57 mm hole for busbar or cable : \varnothing 26 mm
Weight	\approx 1 kg

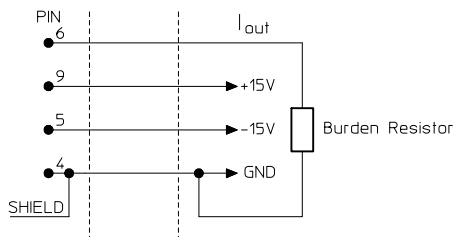
All ppm figures refer to max. output current. Specifications are subject to change without notice.
We recommend that a shielded output cable and plug are used to ensure the maximum immunity against electrostatic fields.

981014/3

IT 600-S INSTALLATION

IT 600

USER SIDE



Connection of Burden Resistor.
Burden Resistor value : see fig. 1

MAX BURDEN RESISTOR

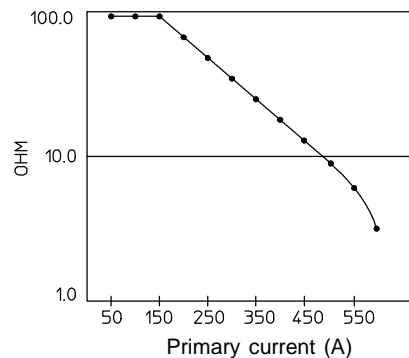


Fig. 1.
Relationship between the externally connected Burden Resistor and the primary current.

BURDEN RESISTOR VOLTAGE

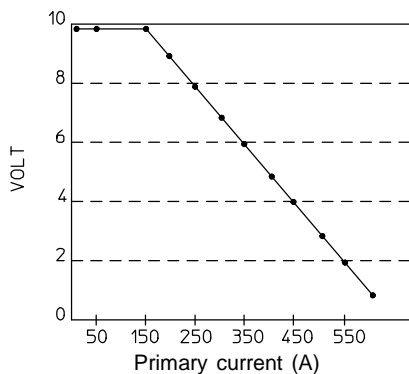
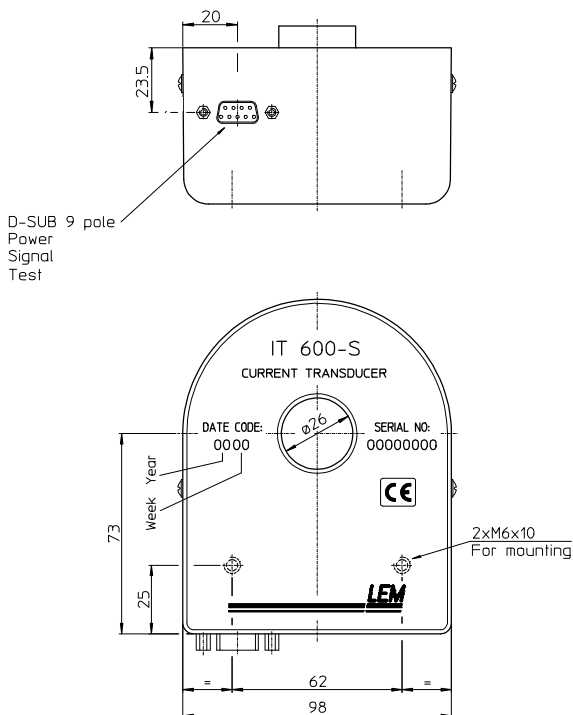


Fig. 2.
The Voltage that can be achieved across the externally connected Burden Resistor as a function of the primary current.

Dimensions IT 600-S



9-POLE D-SUB

- Pin 1 : (For factory use only)
- Pin 2 : (Test pin for zero detector)
- Pin 4 : 0 V and electrostatic shield
- Pin 5 : - 15 V/50 mA
+ compensation current
- Pin 6 : Current output
- Pin 7 : (For factory use only)
- Pin 9 : + 15 V/200 mA
+ compensation current.