

Product Information Bulletin  
**LINEARlight OPTICS**

**Gilway** Distributed by  
 Technical Lamp www.gilway.com  
 781.935-4442  
 Fax: 781.938.5867



- Optics for LINEARlight OS-LM01A
- Optimized for OSRAM Power TOPLED
- Suitable for LINEARlight modules only
- Lens-grid 14mm
- Increases light intensity by reducing the viewing angle from 120° to 20° (colored LEDs) and 25° (white LEDs)
- Effectively creates a uniformly illuminated strip
- Reduction of “bright spots” by creation of a uniformly-lit area
- High optical efficiency
- Low profile spotlighting capability
- Optimal for directly illuminating extremely flat units
- Each molded lens optic covers 4 LEDs – the smallest divisible unit of LINEARlight
- 8 optics required for one LINEARlight module
- Contains UV-stabilized polycarbonate that reduces the risk of breakage

**The NEW OSRAM SYLVANIA LINEARlight Optic**

LINEARlight Optic is a supplementary optical lens for the LINEARlight modules. The optical effect of the optics is a reduction of the viewing angle from 120° to 20° for colors and 25° for white, with a proportional intensification of the light. The optic provides light intensification and mechanical protection of the LED module.

Each molded lens optic is 56 mm long and covers 4 LEDs, which is the smallest divisible unit of LINEARlight. Eight optics are needed to cover the full length of a LINEARlight strip. The new optics lock into the cut-out notches on the LINEARlight module where they are held in place.

**Product Availability**

**Product**

LINEARlight Optics OS-OP4x1-20 for:

- LINEARlight OS-LM01A-A
- LINEARlight OS-LM01A-Y2
- LINEARlight OS-LM01A-T2
- LINEARlight OS-LM01A-B
- LINEARlight OS-LM01A-W2
- LINEARlight OS-LM01A-S

**Ordering and Specification Information**

Item Number	Ordering Abbreviation	Viewing Angle	Length in. (mm)	Width in. (mm)	Height in. (mm)
70072	LINEARlight Optics OS-OP4x1-20 + OS-LM01A	20/25*	2.20 (56)	0.47 (12)	0.31 (8)

\* 25° when used with LINEARlight W2 modules

**Application Information**

**Applications**

- Illumination of furniture
- Illumination of display cases and shelves
- Illumination of UV sensitive exhibits in museums
- Spotlighting
- Decorative effects
- Small signals

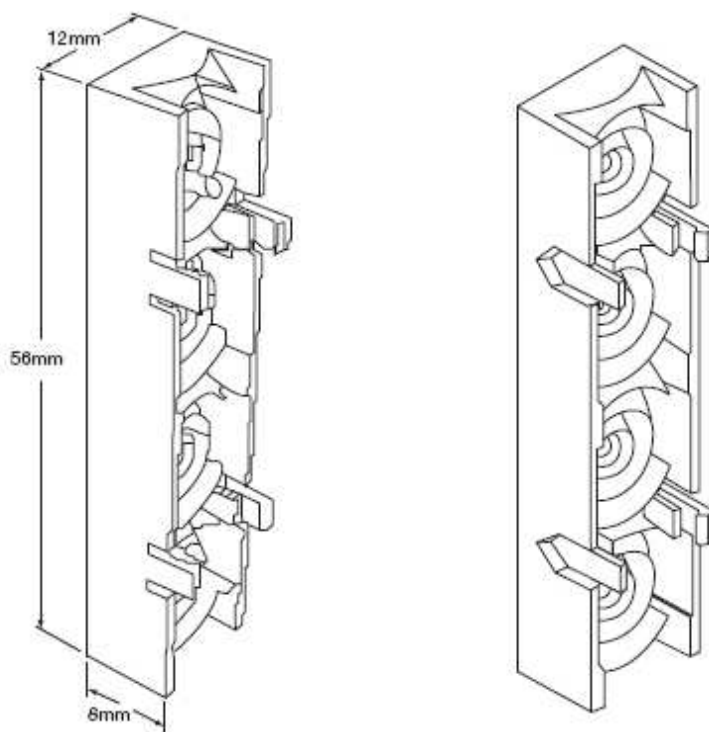
**Application Notes**

1. Small dimensions
2. Directional radiation characteristics
3. No IR/UV radiation

### Maximum Ratings

Parameter	Symbol	Values	Units
Operating Temperature	$T_{op}$	-30... +65	°C
Storage Temperature Range	$T_{stg}$	-30... +65	°C

### Dimensions



### Ordering Guide

<b>LINEARLT Optics OS-OP4x1-20</b>	/	<b>OP</b>	/	<b>OS</b>
LINEARlight Optics Module	Color: Transparent	Optics		OSRAM SYLVANIA ID No.