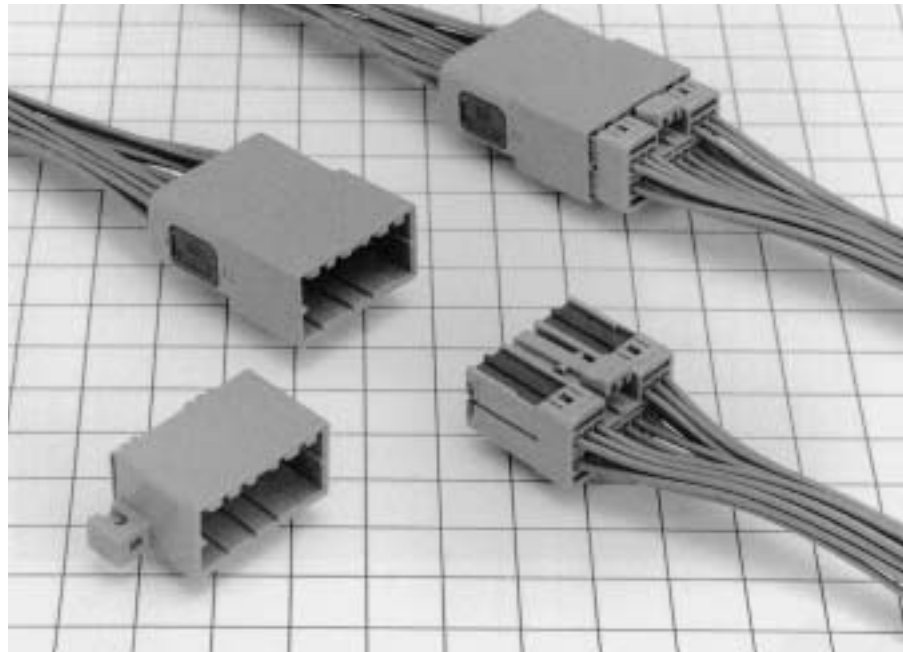


# GT10 Series

— Subminiature ECU Interface Connectors —  
< 2 mm Pitch >



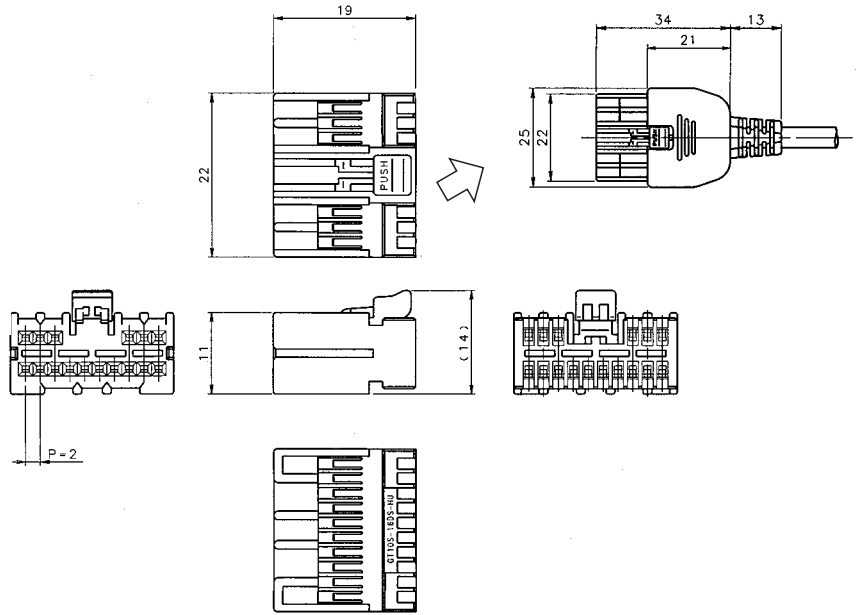
## ■ Features

- Subminiature: with respect to existing 040 connectors.
- Front retainer design prevents incomplete insertion.



# GT10S Series Type with Cover

## ● Housing

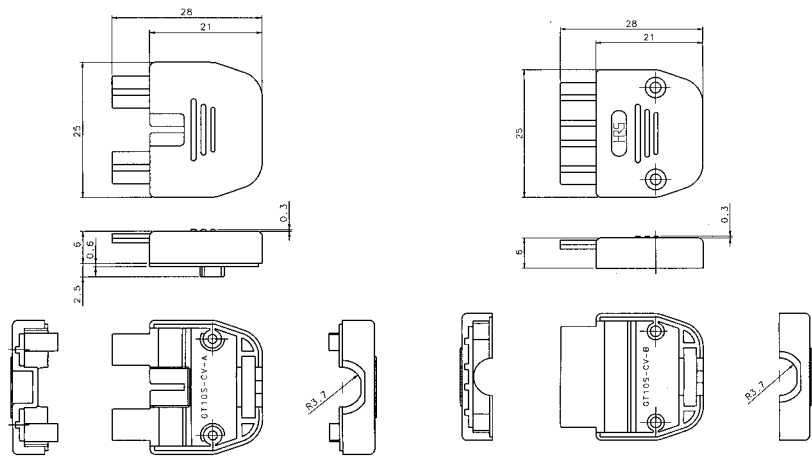


## ◆ View with Cover Attached

Part Number	CL No.	Material	Color
GT10S-16DS-HU	760-0007-0	PBT	Light gray

Note: This product should be used with the cover attached to the housing.

## ● Cover



Cover A

Cover B

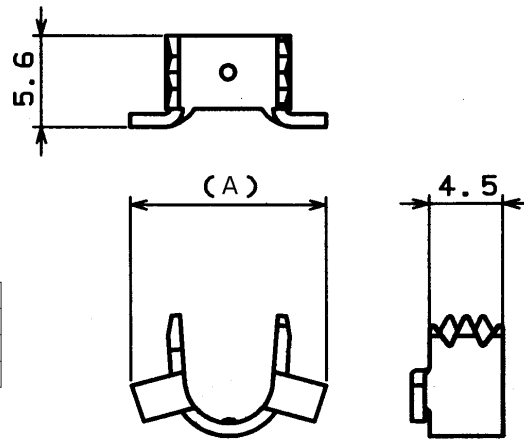
Part Number	CL No.	Material	Color
GT10S-16DS-CV	760-0008-3	PC	Black

Note 1: This product can be used with cables having outside diameters of 4, 4.8, and 5.2 mm.

Please use as a set in conjunction with clamp fittings and bushings that suit the cable.

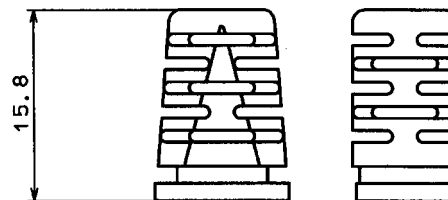
Note 2: This product is sold as a set with cover A, B, and screws.

● Clamp Fittings



Part Number	CL No.	Material	A	Outer diameter of the cable
MQ138-CM (4.0)	206-0891-7	Brass	9	4.0
MQ138-CM (4.8)	206-0684-2		11.3	4.8
MQ138-CM (5.2)	206-0664-5		12	5.2

● Bushings



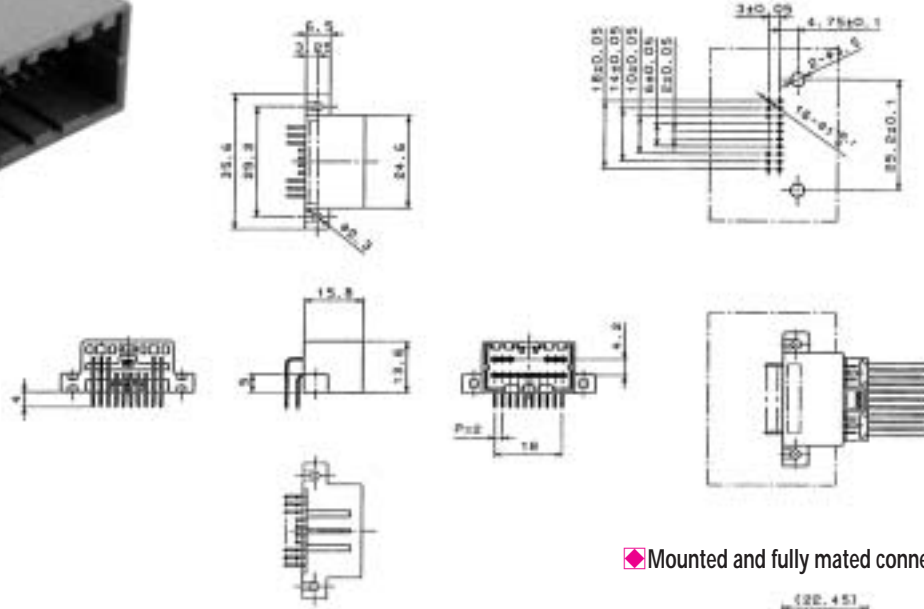
Part Number	CL No.	Material	Color	Outer diameter of the cable
MQ138-BS (4.0) (01)	206-0890-4-01	PCV	Black	4.0
MQ138-BS (4.8) (01)	206-0683-0-01			4.8
MQ138-BS (5.2) (01)	206-0662-0-01			5.2



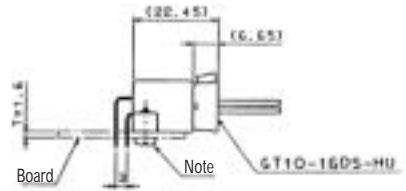
● Board Type



◆ Recommended Board Mounting Pattern



◆ Mounted and fully mated connector assemblies

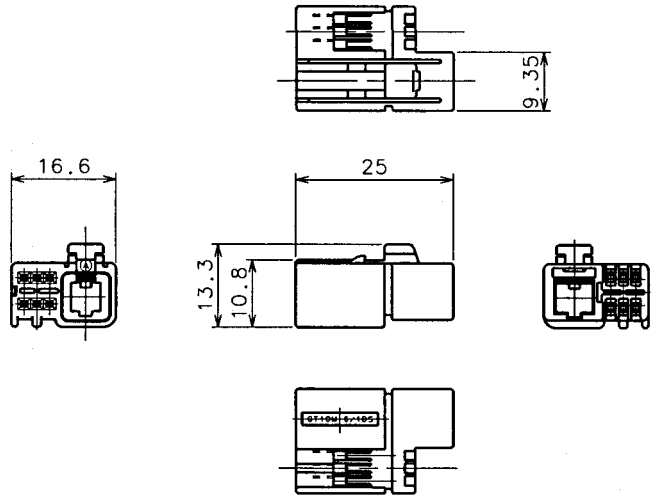


Part Number	CL No.	Item	Material	Finish	Color
GT10-16DP-DS	760-0001-4	Housing	PBT	—	Light gray
		Terminal	Brass	Tin plating	—

Note: Use mounting screws of M3 with nominal diameter 3L-6 (for a board thickness of 1.6mm).

# GT10 Series Hybrid Type

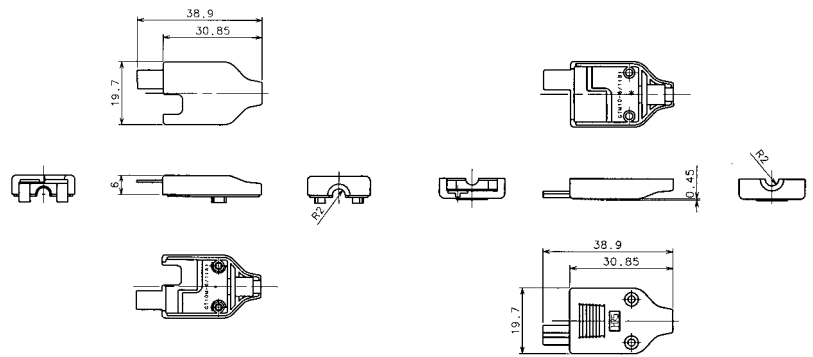
## F Connectors



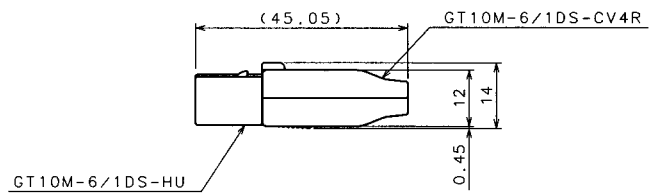
Part Number	CL No.	Material	Color
GT10M-6/1DS-HU	760-0010-5	PBT	Light gray

Note: Accepts GT5-30/0.7-1.5SCF terminals.

### ● Cover



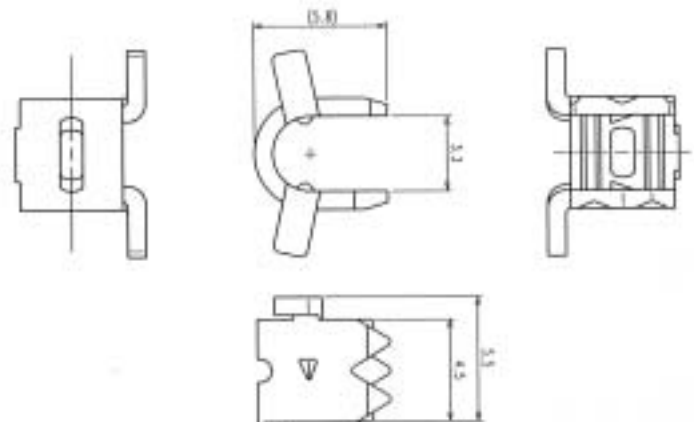
### ◆ Diagram of Retainer Fully Mounted



Part Number	CL No.	Material	Color
GT10M-6/1DS-CV4R	760-0012-0	PC	Black

This product is sold as a set of cover and screws.

### ● Clamp Fittings



Part Number	CL No.
GT10M-CM ( 3.3 )	760-0013-3

