

FEATURES

- **CIC suitable package size**
- **low distortion compression limiting**
- **38dB maximum system gain, adjustable over a 38dB range**
- **output compression threshold, adjustable over 16dB range**
- **2nd order active low cut filter adjustable from 530Hz to 2.0kHz**
- **designed to drive a class D integrated receiver**
- **averaging detector**
- **flexibility to add high cut filter**

DESCRIPTION

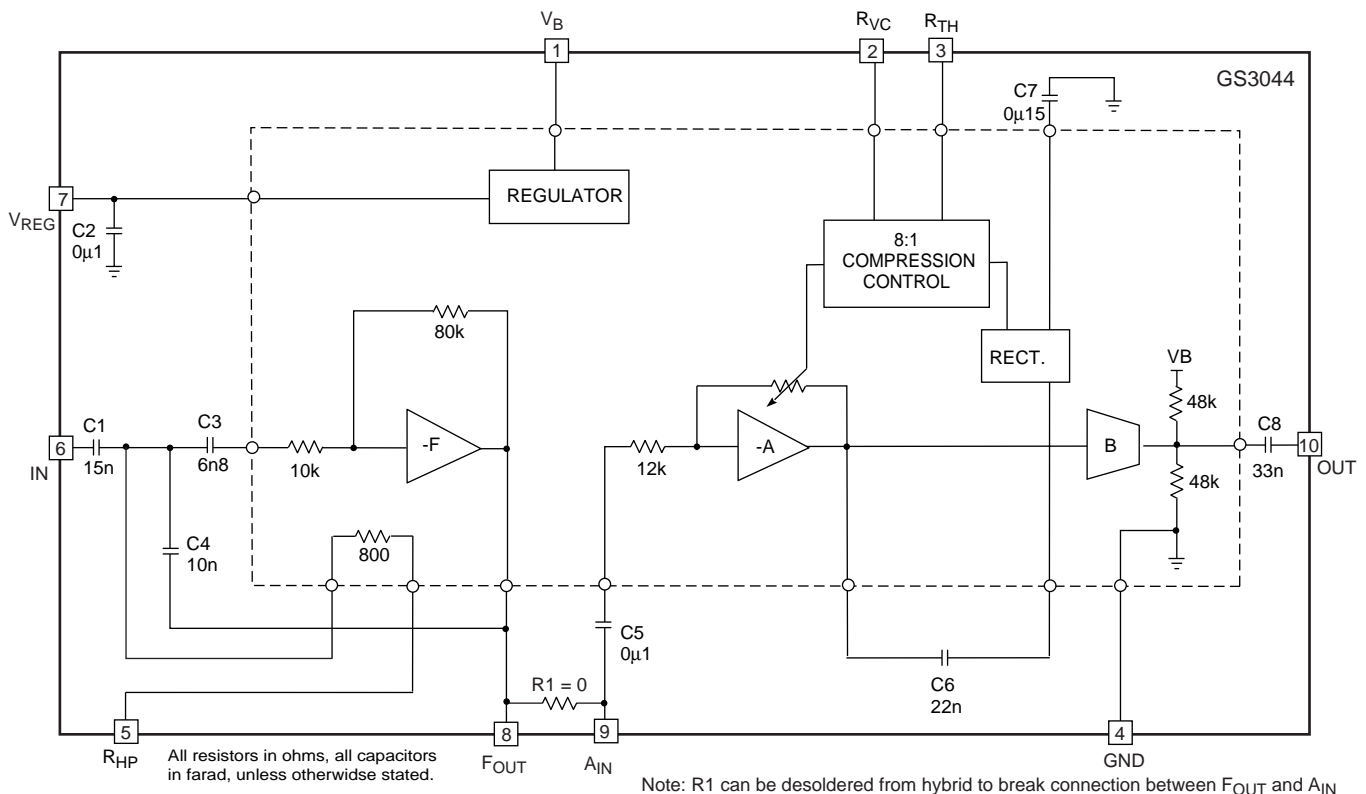
The GS3044 CIC hybrid features AGC-O capability for low distortion output limiting with an active low cut filter in a package size suitable for CIC instruments. The circuit consists of an AGC preamplifier and output stage, capable of driving a class D integrated receiver. The compression control circuit, connected between the input and output of the AGC preamplifier, varies the current controlled resistance. It operates with an 8:1 compression ratio and uses an averaging detector with a time constant of 270ms, selected to provide optimal sound quality over a full range of sound and listening environments. The actual attack and release times are typically 40ms and 150ms respectively when the circuit is fully in the compression region of operation (measured times vary depending on gain and threshold settings).

STANDARD PACKAGING

Hybrid typical dimensions:

0.180 x 0.110 x 0.070 in.
(4.57 x 2.79 x 1.78 mm)

The system gain, compression control and filter corner frequency can be adjusted by choosing three independent resistors or 100k trimmers. Maximum system gain is 38dB. It can be adjusted within a 38dB range. The output compression threshold can be adjusted within a 16dB range. The filter's corner frequency can be adjusted from 530Hz to 2kHz.



BLOCK DIAGRAM

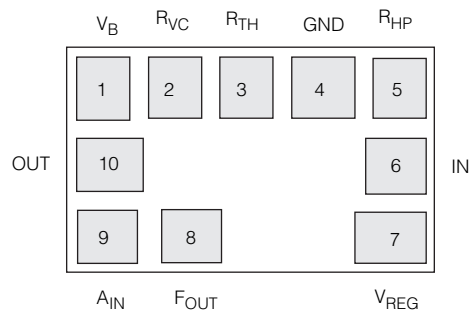
ABSOLUTE MAXIMUM RATINGS

PARAMETER	VALUE
Supply Voltage	3 VDC
Power Dissipation	25 mW
Operating Temperature Range	-10° C to 40° C
Storage Temperature Range	-20° C to 70° C

CAUTION
ELECTROSTATIC
SENSITIVE DEVICES
DO NOT OPEN PACKAGES OR HANDLE
EXCEPT AT A STATIC-FREE WORKSTATION



PAD CONNECTION



ELECTRICAL CHARACTERISTICS

CONDITIONS: Frequency = 1 kHz, Temperature = 25°C, Supply Voltage $V_B = 1.3$ V

PARAMETER	SYMBOL	CONDITIONS	MIN	TYP	MAX	UNITS
Hybrid Current	I_{AMP}		-	235	340	μ A
Minimum Voltage	V_B		-	-	1.1	V
Total Harmonic Distortion	THD	$V_{IN} = -60$ dBV	-	0.5	1.0	%
Input Referred Noise	IRN	A weighted, $R_{HP} = 100$ k Ω	-	4.4	-	μ V _{RMS}
System Gain at Peak	A_V	Frequency = 2.8kHz, $R_{HP} = 100$ k Ω	35	38	41	dB
Relative Gain at Peak with Low Cut, Note 3	ΔA_V	Frequency = 2.8kHz, $R_{HP} = 0$	-	-1.0	-	dB
Relative Gain at 500Hz, Note 3	ΔA_{LF}	Frequency = 500Hz, $R_{HP} = 100$ k Ω	-	-3.0	-	dB
Relative Gain at 500Hz with Low Cut, Note 3	ΔA_{LC}	Frequency = 500Hz, $R_{HP} = 0$	-27	-23	-19	dB
Relative Gain at 5kHz, Note 3	ΔA_{HF}	Frequency = 5kHz, $R_{HP} = 100$ k Ω	-	-3.0	-	dB
Regulator Voltage	V_{REG}		890	935	1000	mV
Power Supply Rejection Ratio	PSRR		49	56	-	dB
AGC						
Maximum Threshold (O/P Referred)	TH_{MAX}	$V_{IN} = -60$ dBV, Note 2	-43	-41	-39	dBV
Minimum Threshold (O/P Referred)	TH_{MIN}	$V_{IN} = -70$ dBV, $R_{TH} = 100$ k, Note 2	-59	-57	-55	dBV
VC Gain Range	ΔA_{VC}	$R_{VC} = 100$ k Ω to 0 Ω	35	38	41	dB
Compression Ratio High Threshold	CMP-H	$V_{IN} = -60$ dBV to -30dBV, $R_{TH} = 0$	8.0	9.0	10.0	ratio
Compression Ratio Low Threshold	CMP-L	$V_{IN} = -70$ dBV to -40dBV, $R_{TH} = 100$ k Ω	6.5	7.3	9.0	ratio
Stage A Gain	A_A	$V_{IN} = -70$ dBV	24	27	30	dB
Compression Gain Range	A_{RANGE}	Note 1	47	53	55	dB
AGC Time Constant	τ_{AGC}		-	270	-	ms
OUTPUT STAGE						
Gain	A_B		-	11	-	dB
Output Resistance	R_{OP}		-	24	-	k Ω
FILTER						
Minimum Corner Frequency	f_{C_MIN}		-	530	-	Hz
Maximum Corner Frequency	f_{C_MAX}		-	2	-	kHz

All parameters and switches remain as shown in the Test Circuit unless otherwise stated in the CONDITIONS column.

NOTE: 1. $A_{RANGE} = A_A - A_{AL}$ [$V_{IN} = -20$ dBV, $R_{TH} = 100$ k]
2. Measured at output of Stage A
3. Relative to System Gain at Peak

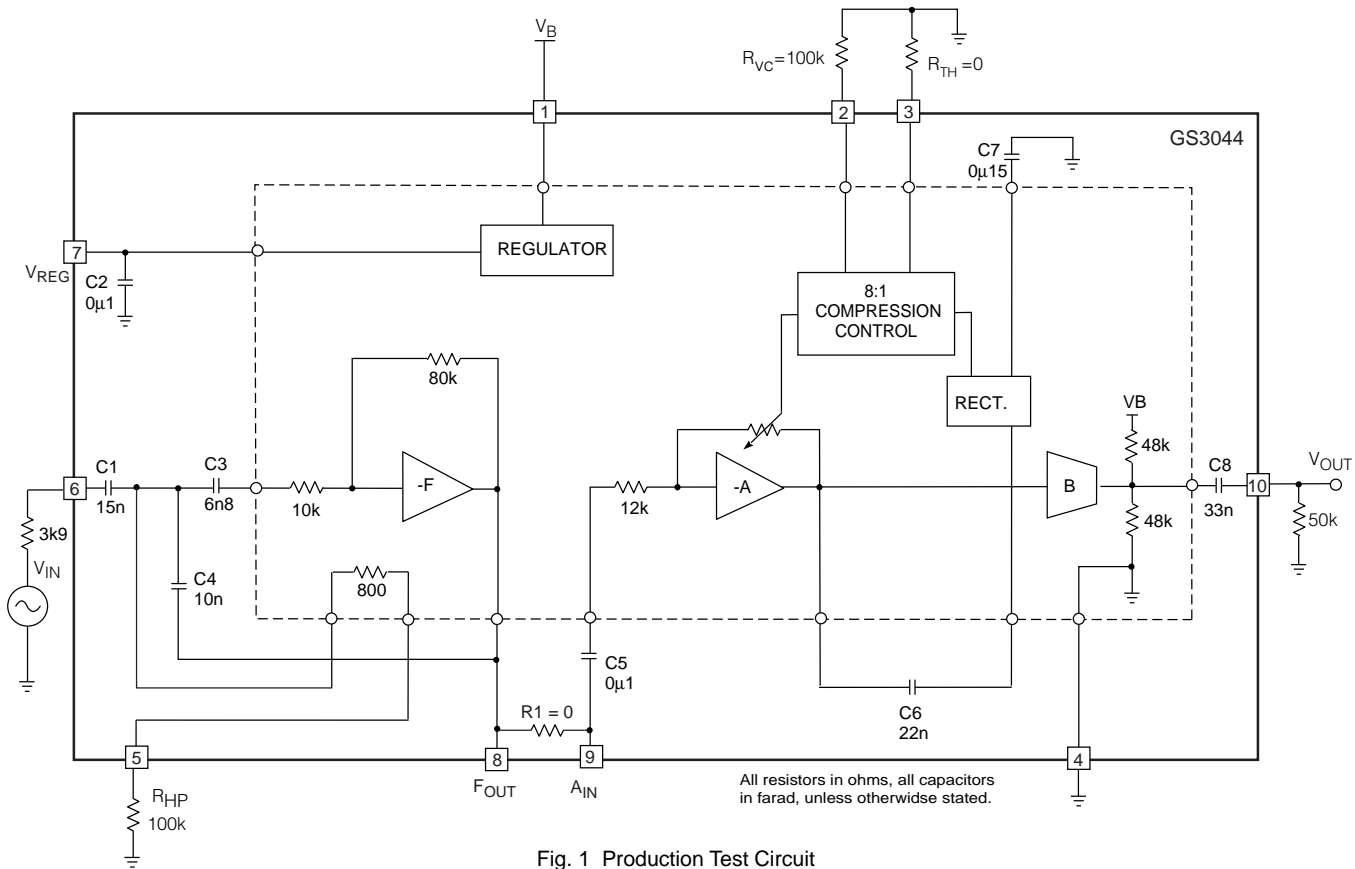


Fig. 1 Production Test Circuit

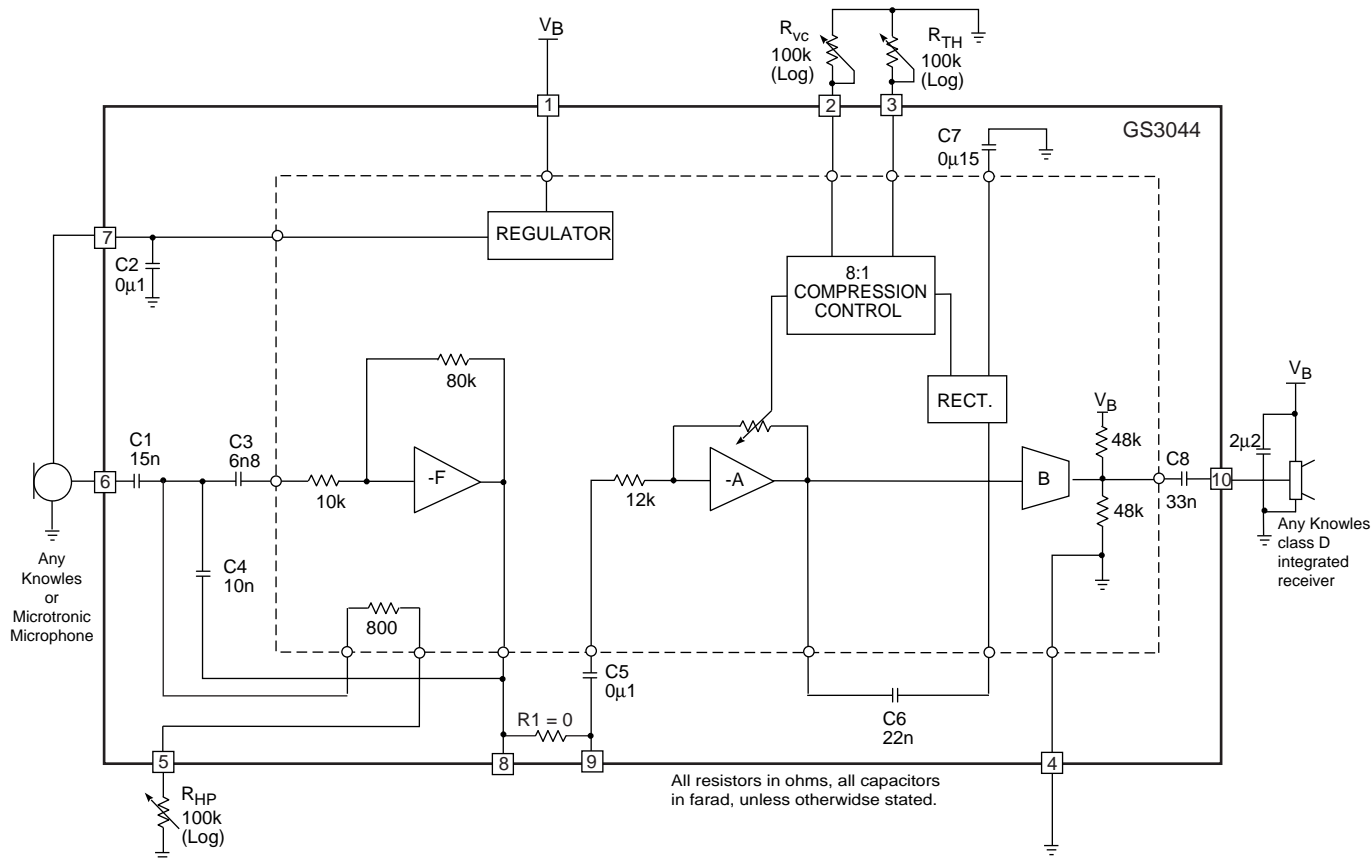


Fig. 2 Typical Application Circuit

TYPICAL PERFORMANCE CURVES

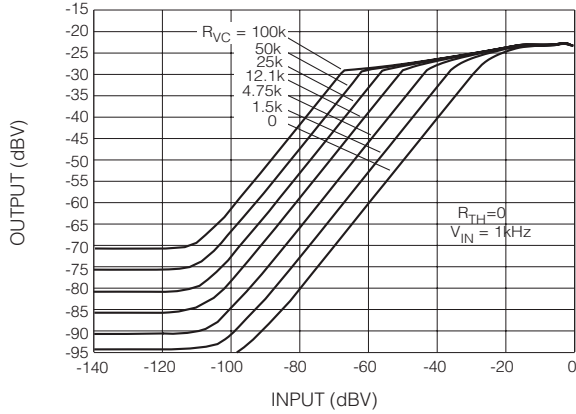


Fig. 5 Input vs Output Volume Control Settings

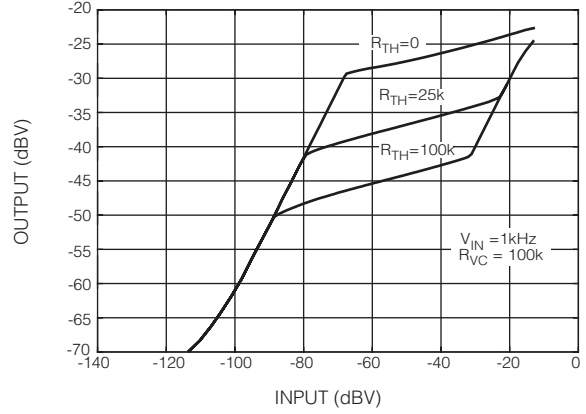


Fig. 6 Input vs Output Threshold Settings

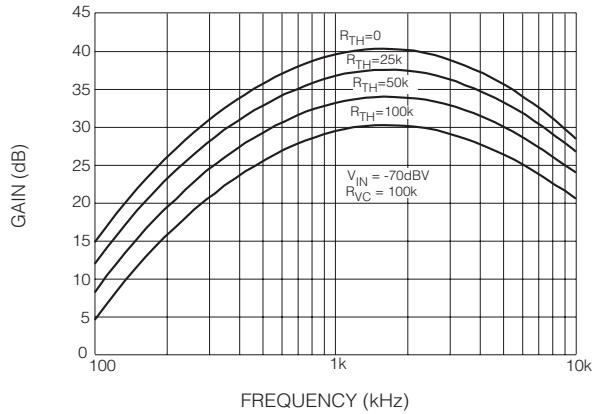


Fig. 7 Frequency Response vs R_{TH}

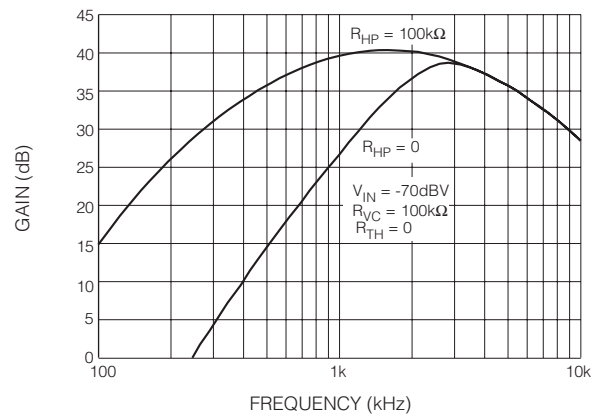


Fig. 8 Frequency Response vs R_{HP}

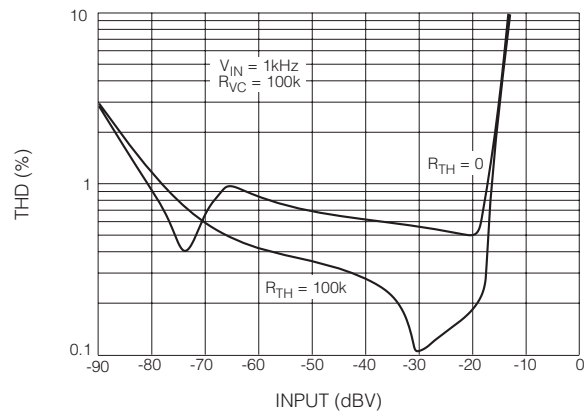


Fig. 9 THD vs Input

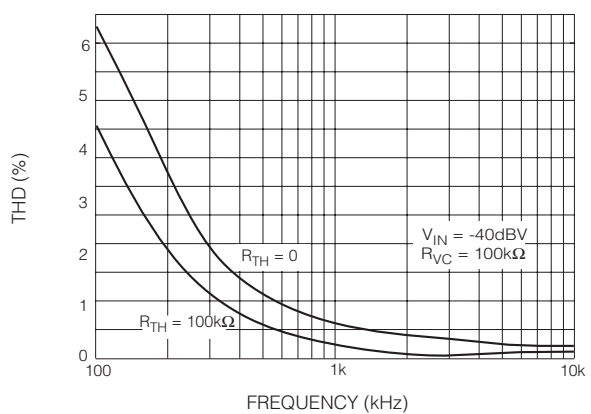


Fig. 10 THD vs Frequency

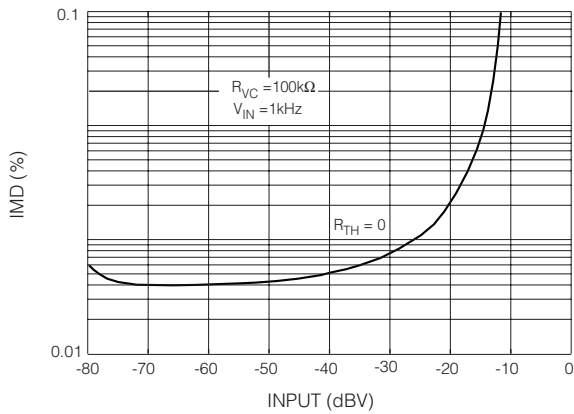


Fig. 11 Intermodulation distortion vs Input

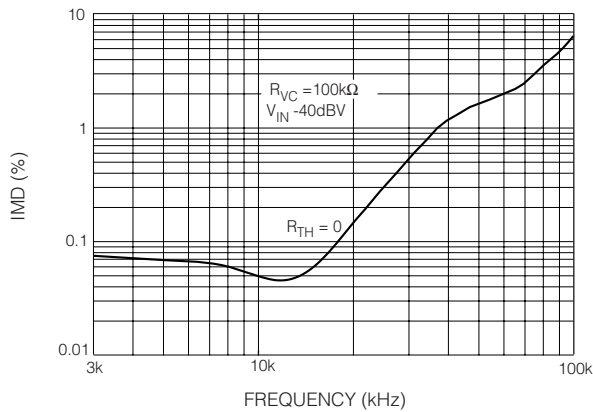
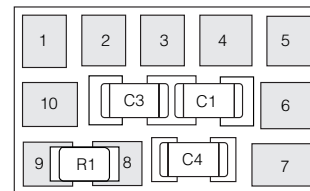
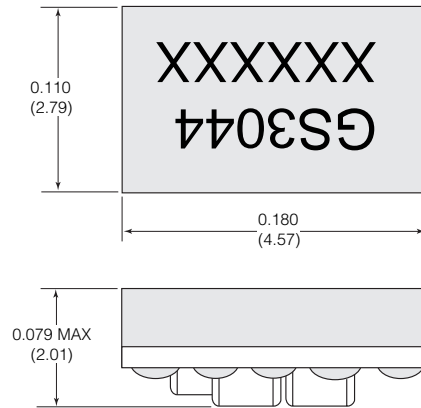


Fig. 12 Intermodulation Distortion vs Frequency

PACKAGE DIMENSIONS



Dimensions are in inches.
 Dimensions shown in parenthesis are in millimeters, converted from inches and include minor rounding errors.
 1.0000 inches = 25.400mm.
 Dimension tolerances ± 0.003 (+0.08) unless otherwise stated.
 Minimum Pad size: 0.027 x 0.026in (0.68 x 0.71mm)
 XXXXXX - work order number.
 This hybrid is designed for point-to-point manual soldering.

GENNUM CORPORATION
 MAILING ADDRESS:
 P.O. Box 489, Stn. A, Burlington, Ontario, Canada L7R 3Y3
 Tel. +1 (905) 632-2996 Fax +1 (905) 632-2814
 SHIPPING ADDRESS:
 970 Fraser Drive, Burlington, Ontario, Canada L7L 5P5

GENNUM JAPAN CORPORATION
 C-101, Miyamae Village, 2-10-42 Miyamae, Suginami-ku, Tokyo 168-0081, Japan
 Tel. +81 (3) 3334-7700 Fax: +81 (3) 3247-8839

DOCUMENT IDENTIFICATION:
 DATA SHEET
 The product is in production. Gennum reserves the right to make changes at any time to improve reliability, function or design, in order to provide the best product possible.

REVISION NOTES:
 Updated to Data Sheet; Correction to Figure 7.