

GHB-3M35-RO

Features

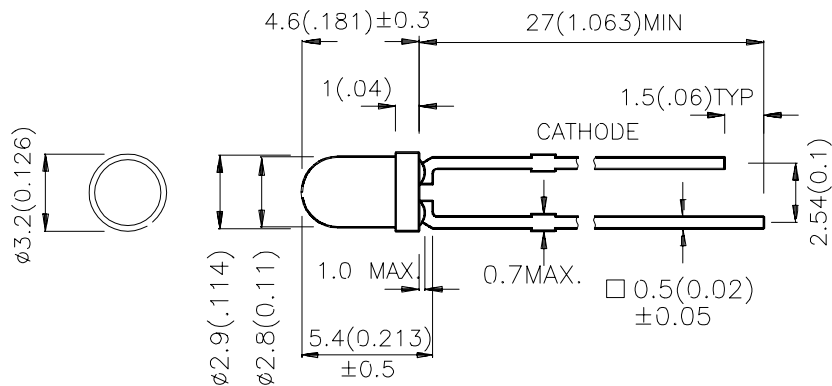
- ✓ LOW POWER CONSUMPTION.
- ✓ POPULAR T-1 DIAMETER PACKAGE.
- ✓ GENERAL PURPOSE LEADS.
- ✓ RELIABLE AND RUGGED.
- ✓ LONG LIFE - SOLID STATE RELIABILITY.

Description

The Hyper Orange source color devices are made with DH InGaAlP on GaAs substrate Light Emitting Diode.

T-1 (3mm) SOLID STATE LAMP

Package Dimensions



Notes:

1. All dimensions are in millimeters (inches).
2. Tolerance is $\pm .25(0.01)$ unless otherwise noted.
3. Lead spacing is measured where the lead emerge package.
4. Specifications are subject to change without notice.

Selection Guide

| Part No. | Dice | Lens Type | Iv (mcd) @ 20mA | | Viewing Angle |
|-------------|------------------------|-------------|--------------------|------|------------------|
| | | | Min. | Typ. | |
| GHB-3M35-RO | HYPER ORANGE (InGaAlP) | WATER CLEAR | 900 | 2000 | 34 |

Note:

1 1/2 is the angle from optical centerline where the luminous intensity is 1/2 the optical centerline value.

Electrical / Optical Characteristics at T_A=25 C

| Symbol | Parameter | Device | Typ. | Max. | Units | Test Conditions |
|----------------|--------------------------|--------------|------|------|-------|-------------------------------|
| peak | Peak Wavelength | Hyper Orange | 630 | | nm | I _F = 20mA |
| D | Dominate Wavelength | Hyper Orange | 621 | | nm | I _F = 20mA |
| 1/2 | Spectral Line Half-width | Hyper Orange | 20 | | nm | I _F = 20mA |
| C | Capacitance | Hyper Orange | 25 | | pF | V _F = 0V; f = 1MHz |
| V _F | Forward Voltage | Hyper Orange | 2.0 | 2.5 | V | I _F = 20mA |
| I _R | Reverse Current | Hyper Orange | | 10 | uA | V _R = 5V |

Absolute Maximum Ratings at T_A=25 C

| Parameter | Hyper Orange | Units |
|-------------------------------|---------------------|-------|
| Power dissipation | 150 | mW |
| DC Forward Current | 30 | mA |
| Peak Forward Current [1] | 195 | mA |
| Reverse Voltage | 5 | V |
| Operating/Storage Temperature | -40 C To +85 C | |
| Lead Solder Temperature [2] | 260 C For 5 Seconds | |

Notes:

1. 1/10 Duty Cycle, 0.1ms Pulse Width.
2. 2mm below package base.

