

## GHB-3M35-CW

### Features

- ✓ LOW POWER CONSUMPTION.
- ✓ SUITABLE FOR FULL COLOR LED DISPLAYS AND INDICATORS DIAGNOSTIC/ANALYTICAL EQUIPMENT.
- ✓ AVAILABLE ON TAPE AND REEL.

### Description

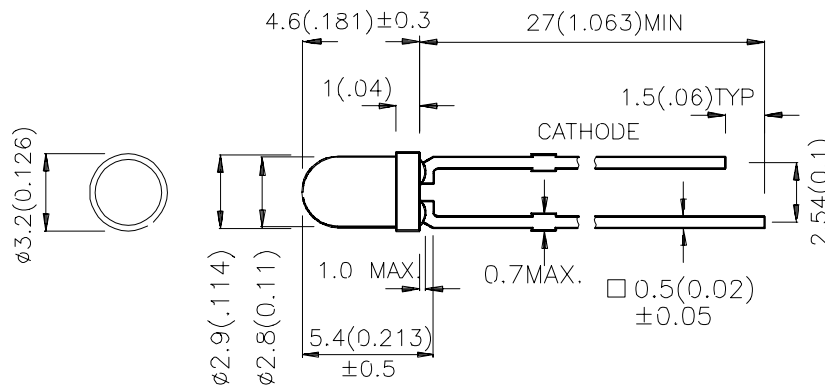
The source color devices are made with GaN on SiC Light Emitting Diode.

Static electricity and surge damage the LEDs. It is recommended to use a wrist band or anti-electrostatic glove when handling the LEDs.

All devices, equipment and machinery must be electrically grounded.

### Package Dimensions

### T-1 (3mm) SOLID STATE LAMP



#### Notes:

1. All dimensions are in millimeters (inches).
2. Tolerance is  $.25 (0.01)$  unless otherwise noted.
3. Lead spacing is measured where the lead emerge package.
4. Specifications are subject to change without notice.

## Optical Characteristics

Part No.	Dice	Lens Type	I <sub>v</sub> (mcd) @ 20 mA		Viewing Angle
			Min.	Typ.	
GHB-3M35-CW	WHITE (GaN)	WATERCLEAR	50	180	34°

Note:

1 1/2 is the angle from optical centerline where the luminous intensity is 1/2 the optical centerline value.

## Electrical / Optical Characteristics at T<sub>A</sub>=25 C

Symbol	Parameter	Device	Typ.	Max.	Units	Test Conditions
V <sub>F</sub>	Forward Voltage	White	3.8	4.5	V	I <sub>F</sub> =20mA
I <sub>R</sub>	Reverse Current	White		10	μA	V <sub>R</sub> = 5V
X	Chromaticity Coordinates	White	0.33			
Y			0.34			
C	Capacitance	White	100		pF	V <sub>F</sub> =0V, f=1MHz

## Absolute Maximum Ratings at T<sub>A</sub>=25 C

Parameter	White	Units
Power dissipation	105	mW
DC Forward Current	30	mA
Peak Forward Current [1]	150	mA
Reverse Voltage	5	V
Operating/Storage Temperature	-40 C To +85 C	
Lead Solder Temperature [2]	260 C For 5 Seconds	

Notes:

- 1/10 Duty Cycle, 0.1ms Pulse Width.
- 2mm below package base.

