

GD54/74HC76, GD54/74HCT76

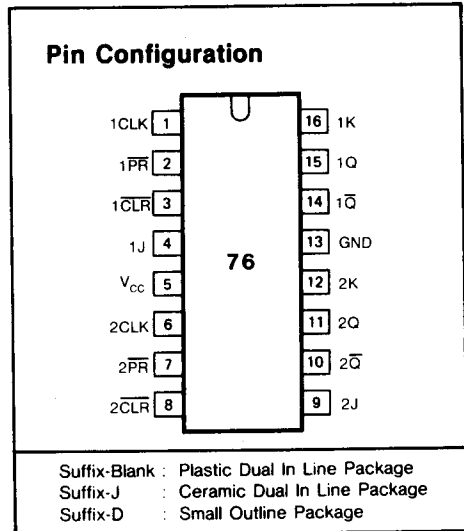
DUAL J-K FLIP-FLOPS WITH PRESET & CLEAR

General Description

These devices are identical in pinout to the 54/74LS76. These flip-flops are edge sensitive to the clock input and change state on the negative going transition of the clock pulse. Each flip-flop has independent J, K, clock, preset, and clear inputs and Q and \bar{Q} outputs. Clear and preset are independent of the clock and accomplished by a low logic level on the corresponding input. These devices are characterized for operation over wide temperature ranges to meet industry and military specifications.

Features

- Low Power consumption characteristic of CMOS devices
- Output drive capability: 10 LS TTL Loads Min.
- Operating speed superior to LS TTL
- Wide operating voltage range: for HC 2 to 6 volts
for HCT 4.5 to 5.5 volts
- Low input current: 1 μ A Max.
- Low quiescent current: 40 μ A Max. (74HC)
- High noise immunity characteristic of CMOS
- Diode protection on all inputs



Function Table

INPUTS					OUTPUTS	
$\bar{P}\bar{R}$	$\bar{C}\bar{L}\bar{R}$	CLK	J	K	Q	\bar{Q}
L	H	X	X	X	H	L
H	L	X	X	X	L	H
L	L	X	X	X	H \uparrow	H \uparrow
H	H	\downarrow	L	L	Q ₀	\bar{Q} ₀
H	H	\downarrow	H	L	H	L
H	H	\downarrow	L	H	L	H
H	H	\downarrow	H	H	TOGGLE	
H	H	H	X	X	Q ₀	\bar{Q} ₀

* This configuration is nonstable; that is it will not persist when either preset or clear returns to its inactive (high) level.

Absolute Maximum Ratings

SYMBOL	PARAMETER	CONDITIONS	MIN.	MAX.	UNIT
V_{CC}	DC Supply voltage		-0.5	+7	V
I_{IK}, I_{OK}	DC input or output diode current	for $V_I < -0.5$ or $V_I > V_{CC} + 0.5V$		20	mA
I_O	DC output source or sink current	for $-0.5V < V_O < V_{CC} + 0.5V$		25	mA
I_{CC}	DC V_{CC} or GND current			50	mA
T_{stg}	Storage temperature range		-65	150	°C
P_D	Power dissipation per package	above +70°C: derate linearly with 8mW/K		500	mW
T	Lead temperature	At distance 1/16±1/32 in. from case for 60 sec(CERAMIC) 10 sec(PLASTIC)		300 260	°C

Recommended Operating Conditions

CHARACTERISTIC	LIMITS		UNITS
	MIN.	MAX.	
Supply-Voltage Range V_{CC} : GD54/74HC Types GD54/74HCT Types	2 4.5	6 5.5	V
DC Input or Output Voltage V_I, V_O	0	V_{CC}	V
Operating Temperature T_A : GD74 Types GD54 Types	-40 -55	+85 +125	°C
Input Rise and Fall times t_r, t_f : GD54/74HC Types at 2V at 4.5V at 6V GD54/74HCT Types at 4.5V		1000 500 400 500	ns

Logic Diagram

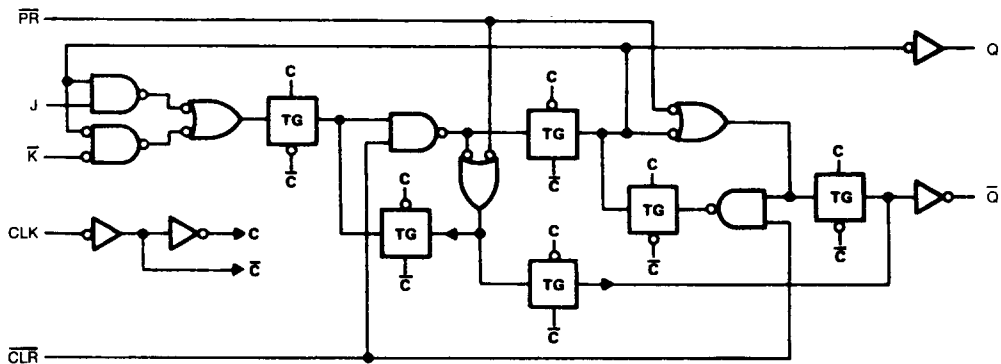


Fig. 1 Logic diagram (one flip-flop)

DC Electrical Characteristics for HC

SYMBOL	PARAMETER	TEST CONDITION	V _{CC} (V)	T _A =25°C			GD74HC76		GD54HC76		UNIT
				MIN.	TYP.	MAX.	MIN.	MAX.	MIN.	MAX.	
V _{IH}	HIGH level input Voltage		2.0	1.5			1.5		1.5		V
			4.5	3.15			3.15		3.15		
			6.0	4.2			4.2		4.2		
V _{IL}	LOW level input voltage		2.0			0.3		0.3		0.3	V
			4.5			0.9		0.9		0.9	
			6.0			1.2		1.2		1.2	
V _{OH}	HIGH level output voltage	V _{IN} =V _{IH}	2.0	1.9	2.0		1.9		1.9		V
			4.5	4.4	4.5		4.4		4.4		
	6.0	5.9	6.0		5.9		5.9				
	or V _{IL}	I _{OH} =-4mA I _{OH} =-5.2mA	4.5	3.98	4.3		3.84		3.7		
6.0			5.48	5.2		5.34		5.2			
V _{OL}	LOW level output voltage	V _{IN} =V _{IH}	2.0			0.1		0.1		0.1	V
			4.5			0.1		0.1		0.1	
	6.0			0.1		0.1		0.1			
	or V _{IL}	I _{OL} =4mA I _{OL} =5.2mA	4.5		0.17	0.26		0.33		0.4	
6.0				0.15	0.26		0.33		0.4		
I _{IH}	Input leakage Current	V _{IN} =V _{CC} or GND	6.0			0.1		1.0		1.0	μA
I _{CC}	Quiescent Supply Current	V _{IN} =V _{CC} or GND I _{out} =0μA	6.0			4		40		80	μA

DC Electrical Characteristics for HCT

SYMBOL	PARAMETER	TEST CONDITION	V _{CC} (V)	T _A =25°C			GD74HCT76		GD54HCT76		UNIT
				MIN.	TYP.	MAX.	MIN.	MAX.	MIN.	MAX.	
V _{IH}	HIGH level input Voltage		4.5 to 5.5	2.0			2.0		2.0		V
V _{IL}	LOW level input voltage		4.5 to 5.5			0.8		0.8		0.8	V
V _{OH}	HIGH level output voltage	V _{IN} =V _{IH}	4.5	4.4	4.5		4.4		4.4		V
		or V _{IL}	4.5	3.98	4.3		3.84		3.7		
V _{OL}	LOW level output voltage	V _{IN} =V _{IH}	4.5			0.1		0.1		0.1	V
		or V _{IL}	4.5		0.17	0.26		0.33		0.4	
I _{IH}	Input leakage Current	V _{IN} =V _{CC} or GND	5.5			0.1		1.0		1.0	μA
I _{CC}	Quiescent Supply Current	V _{IN} =V _{CC} or GND I _{out} =0μA	5.5			4		40		80	μA

Timing Requirements for HC: $t_r=t_f=6ns$ $C_L=50$ pF

SYMBOL	PARAMETER		V _{CC} (V)	T _A =25°C			GD74HC76		GD54HC76		UNIT
				MIN.	TYP.	MAX.	MIN.	MAX.	MIN.	MAX.	
t _w	Pulse width	PR, CLR	2.0	80	30		100		120		ns
			4.5	16	10		20		25		
			6.0	14	8		18		22		
		CLK	2.0	80	30		100		120		ns
			4.5	16	10		20		25		
			6.0	14	8		18		22		
t _{su}	Set up Time	Data to CLK	2.0	60	30		80		100		ns
			4.5	15	10		18		20		
			6.0	14	8		16		18		
t _{rec}	Recovery time	PR, CLR to CLK	2.0	5	0		5		5		ns
			4.5	5	0		5		5		
			6.0	5	0		5		5		
t _h	Hold Time	CLK to Data	2.0	3	0		3		3		ns
			4.5	3	0		3		3		
			6.0	3	0		3		3		

AC Characteristics for HC: $t_r=t_f=6ns$ $C_L=50$ pF

SYMBOL	PARAMETER		V _{CC} (V)	T _A =25°C			GD74HC76		GD54HC76		UNIT
				MIN.	TYP.	MAX.	MIN.	MAX.	MIN.	MAX.	
f _{max}	Maximum Clock Pulse Frequency	2.0	6	20		5		4		MHz	
		4.5	30	65		25		20			
		6.0	35	75		30		25			
t _{PLH} / t _{PHL}	Propagation Delay Time nCLK to nQ	2.0		46	160		200		240	ns	
		4.5		15	30		40		50		
		6.0		14	28		35		45		
t _{PLH} / t _{PHL}	Propagation Delay Time nCLK to nQ̄	2.0		50	160		200		240	ns	
		4.5		17	30		40		50		
		6.0		16	28		35		45		
t _{PLH} / t _{PHL}	Propagation Delay Time nPR to nQ, nQ̄	2.0		45	155		190		230	ns	
		4.5		15	28		38		45		
		6.0		14	26		34		42		
t _{PLH} / t _{PHL}	Propagation Delay time nCLR to nQ, nQ̄	2.0		45	155		190		230	ns	
		4.5		15	28		38		45		
		6.8		14	26		34		42		
t _{TLH} / t _{THL}	Output Transition time	2.0		25	70		85		100	ns	
		4.5		8	15		18		22		
		6.0		7	13		16		19		

GD54/74HC/HC76, GD54/74HCT76

Timing Requirements for HCT: $t_r=t_f=6\text{ns}$ $C_L=50\text{ pF}$

SYMBOL	PARAMETER		V_{CC} (V)	$T_A=25^\circ\text{C}$			GD74HCT76		GD54HCT76		UNIT
				MIN.	TYP.	MAX.	MIN.	MAX.	MIN.	MAX.	
t_w	Pulse width	PR, CLR	4.5	18	10		20		25		ns
		CLK	4.5	16	10		20		25		ns
t_{su}	Set up Time	Data to CLK	4.5	15	10		18		20		ns
t_{rec}	Recovery time	PR, CLR to CLK	4.5	5	0		5		5		ns
t_h	Hold Time	CLK to Data	4.5	3	0		3		3		ns

AC Characteristics for HCT: $t_r=t_f=6\text{ns}$ $C_L=50\text{ pF}$

SYMBOL	PARAMETER		V_{CC} (V)	$T_A=25^\circ\text{C}$			GD74HCT76		GD54HCT76		UNIT
				MIN.	TYP.	MAX.	MIN.	MAX.	MIN.	MAX.	
f_{max}	Maximum Clock Pulse Frequency		4.5	27	54		22		18		MHz
t_{PLH} / t_{PHL}	Propagation Delay Time nCLK to nQ		4.5		17	30		40		50	ns
t_{PLH} / t_{PHL}	Propagation Delay Time nCLK to nQ		4.5		17	30		40		50	ns
t_{PLH} / t_{PHL}	Propagation Delay Time nPR to nQ, nQ		4.5		15	28		38		45	ns
t_{PLH} / t_{PHL}	Propagation Delay time nCLR to nQ, nQ		4.5		15	28		38		45	ns
t_{TLH} / t_{THL}	Output Transition time		4.5		8	15		18		22	ns

AC Waveforms

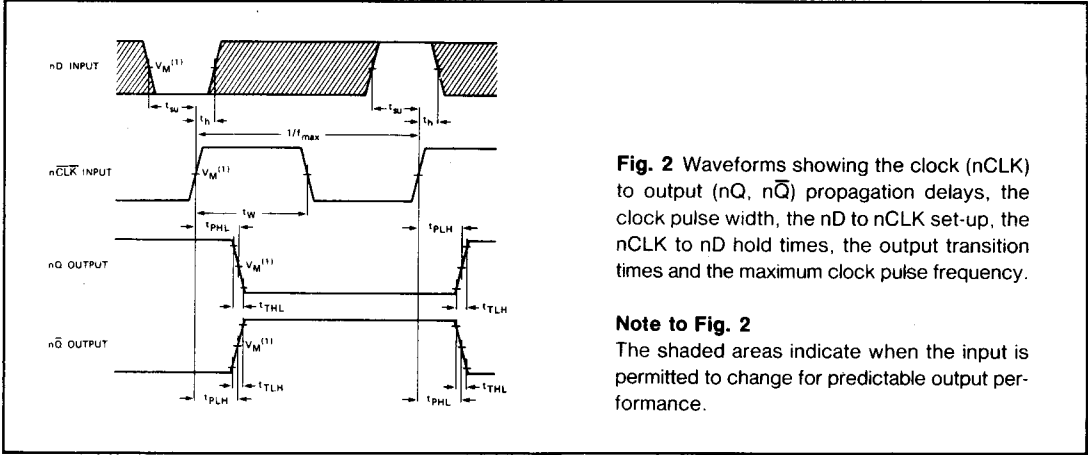


Fig. 2 Waveforms showing the clock (nCLK) to output (nQ, nQ̄) propagation delays, the clock pulse width, the nD to nCLK set-up, the nCLK to nD hold times, the output transition times and the maximum clock pulse frequency.

Note to Fig. 2
The shaded areas indicate when the input is permitted to change for predictable output performance.

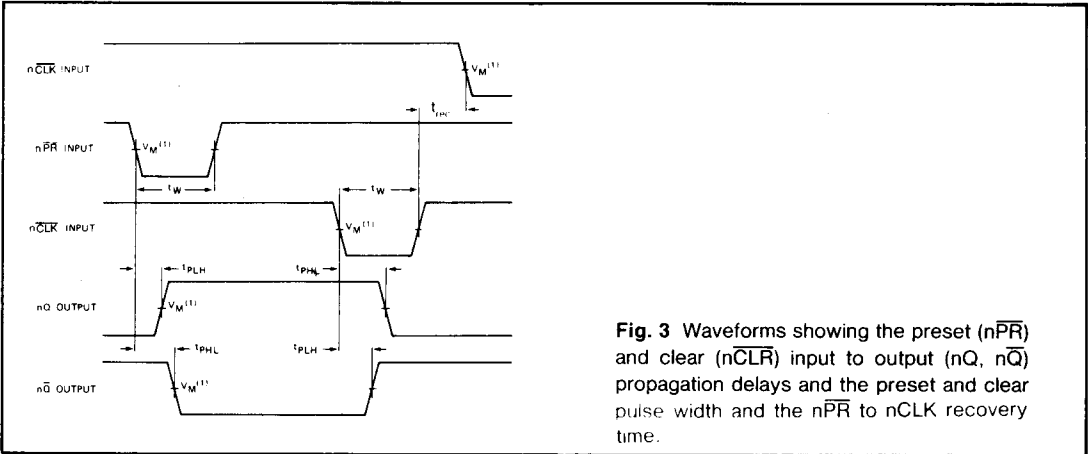


Fig. 3 Waveforms showing the preset (nPR) and clear (nCLR) input to output (nQ, nQ̄) propagation delays and the preset and clear pulse width and the nPR to nCLK recovery time.

Note to AC waveforms

- (1) HC : $V_M = 50\%$; $V_I = \text{GND to } V_{CC}$.
- HCT : $V_M = 1.3V$; $V_I = \text{GND to } 3V$.