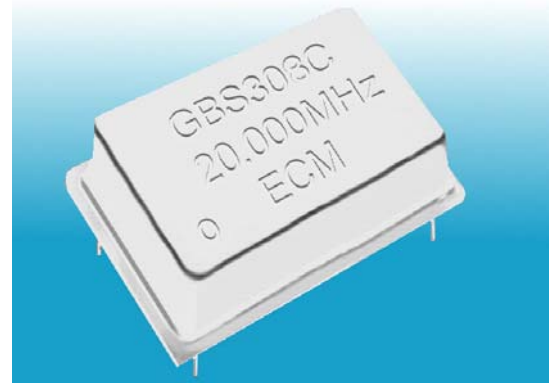


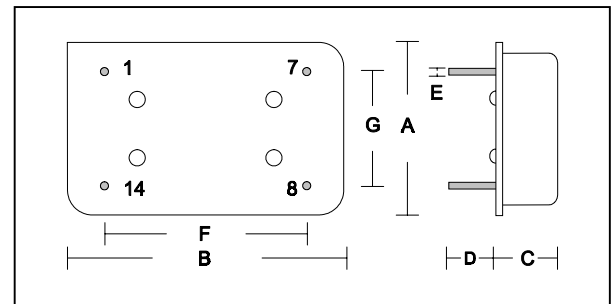
ECM Crystal Oscillator

GBS308 Series

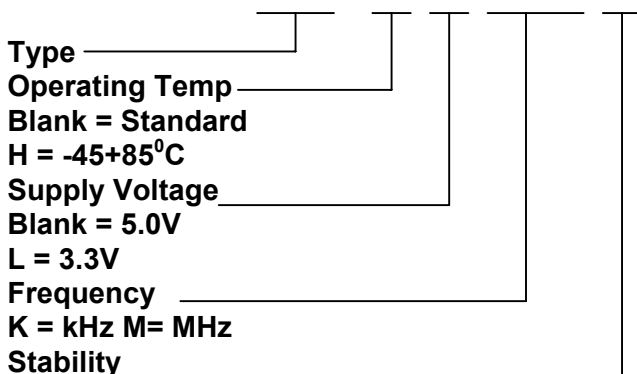
- 250kHz – 125.0MHz
- Output Enable
- Universal Output
- 3.3V Supply Available
- Competitive Prices for Volume Users
- Fast Make Options Available



Parameter	GBS308	
Frequency Range	250kHz to 125.0MHz	
Frequency Stability	+/-25ppm (A) +/-50 ppm (B) +/-100 ppm (C)	Specify
Supply Voltage	5V +/-10% 3.3V +/-10% (L)	Specify
Supply Current	20 to 80mA max Frequency Dependent	
Load	10LSTTL – 15pF	
Duty Cycle	45 / 55	
Rise & Fall Times	10nS max Frequency Dependant	
Ageing	+/-5ppm / year	
Operating Temp	0°C to +70°C (-45° to +85°C) Available	
Storage Temp	-55°C to +125°C	
0 Level	Vss +0.5V max	
1 Level	VDD -0.5V min	



Part Numbering GBS308 H L 16.384M B



Pin	1	7	8	14
Function	O/E	V _{SS}	O/P	V _{DD}

A	B	C	D	E	F	G
13.20	20.8	5.08	6.30	0.45	15.24	7.62

Dimensions in mm

ECM Electronics Limited, Penmaen House, Ashington, West Sussex, RH20 3JR, UK
 Tel: +44(0)1903 892810: Fax: +44(0)1903 892738. Email: ecm@ecmelectronics.co.uk

Although we have attempted to accurately reflect the products we market. ECM reserve the right without prior notice to discontinue any product or make design changes we believe necessary.