

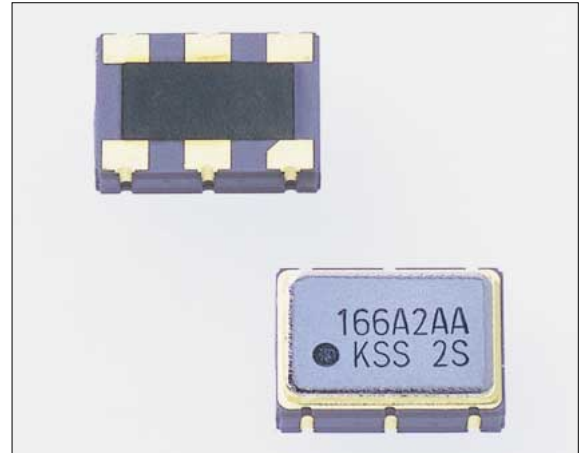
FSO-2D

Features

- C-MOS Output 3.3V.
- Operation at fundamental High Frequency.

Applications

- SONET/SDH.
- 1 Gbit Ethernet, 10Gbit Ethernet.
- Fiber Channel.



Original Size

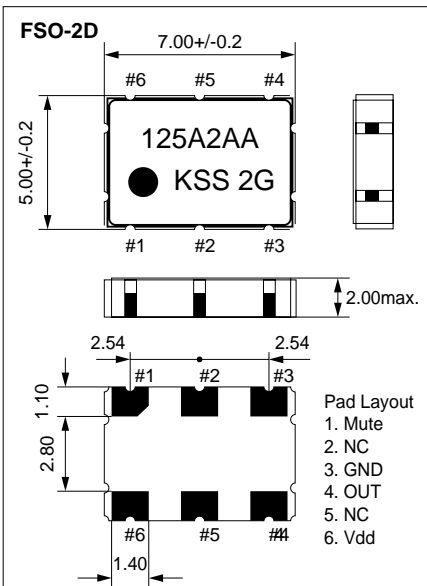
Specifications

| Type | FSO-2D |
|-----------------------------|---|
| Frequency Range | 100~170MHz |
| Standard Frequency | Table 1 |
| Frequency Stability | $\pm 100 \times 10^{-6}$ (All over) |
| Operation Temperature Range | $\pm 0 \sim +70^\circ\text{C}$ |
| Storage Temperature Range | $-40 \sim +85^\circ\text{C}$ |
| Supply Voltage | 3.3V $\pm 5\%$ |
| Current | 60mA max. |
| Load | 15pF |
| Output Level | Voh: Vdd $\times 0.9$ min./Vol: Vdd $\times 0.1$ max. |
| Symmetry | 50% $\pm 10\%$ |
| Raise Time/Fall Time | 2ns max. (20%,80%) |
| Start-up Time | 10ms max. |
| Weight | 0.2g |

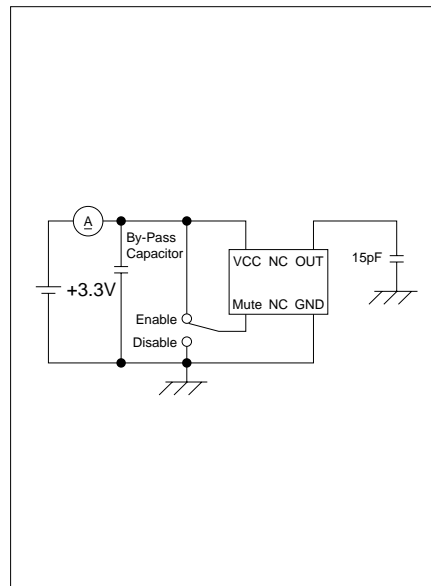
Table 1 Original Frequencies

| Table 1 |
|--------------------------|
| Standard Frequency (MHz) |
| 100 |
| 106.25 |
| 125 |
| 133 |
| 155.52 |
| 156.25 |
| 161.1328 |
| 166 |
| 166.6285 |
| 167 |

Outline



Typical External Component Connection



Land Pattern (reference)

