

P/N	FSLC-C160W	DATE.	June/2/2004
DWN.	Y.Tanaka	DATA-No.	LC-FSLC-C160W-0406A

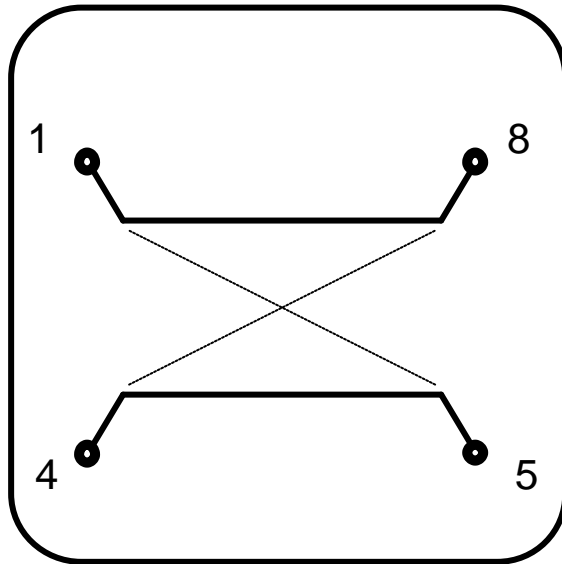
4532 Size

1.5-2.0GHz Band  
Chip Multilayer 90deg.3dB Splitter

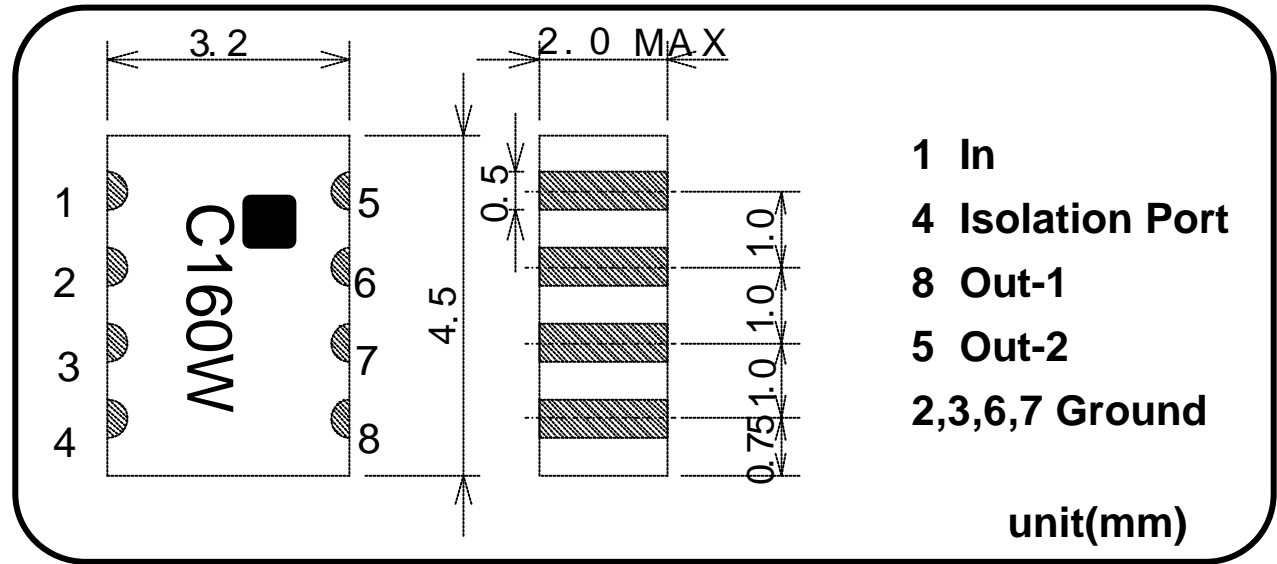
**FSLC-C160W**

P/N	FSLC-C160W	DATE.	June/2/2004
DWN.	Y.Tanaka	DATA-No.	LC-FSLC-C160W-0406A

## Equivalent Circuits



## Shape & Size



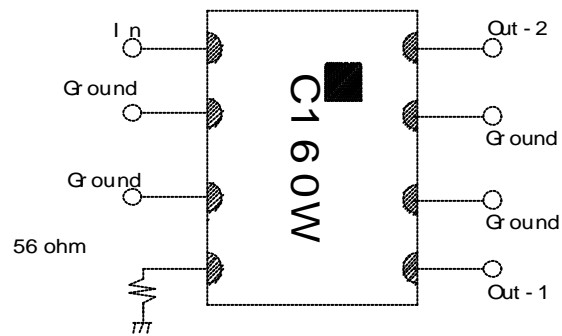
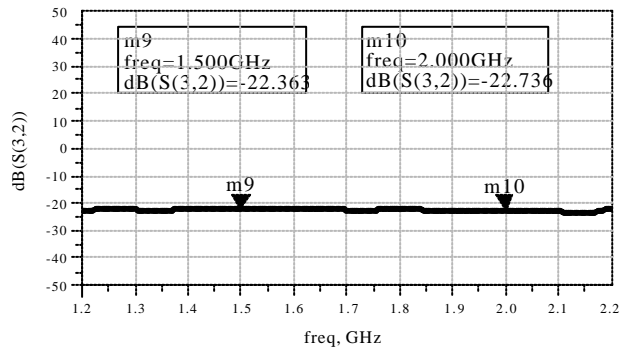
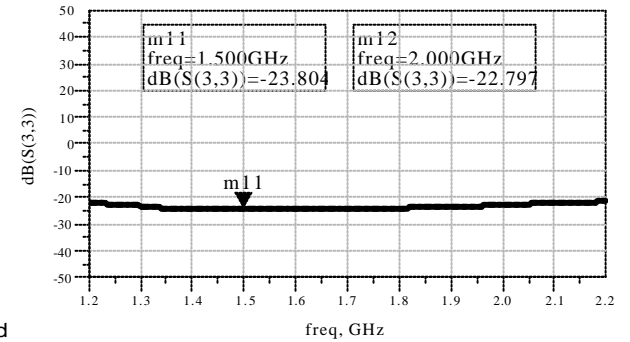
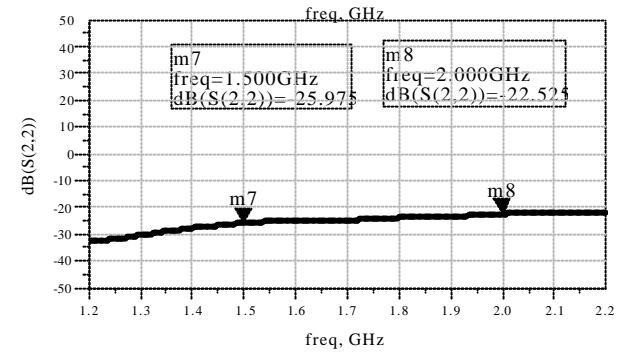
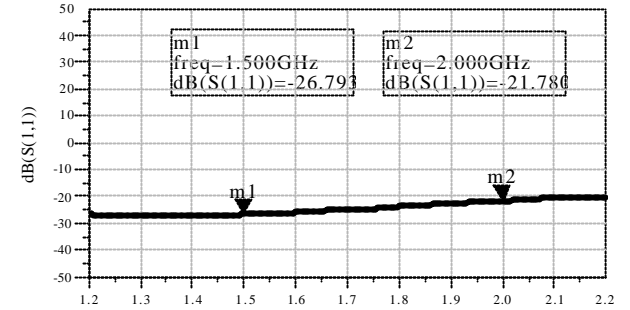
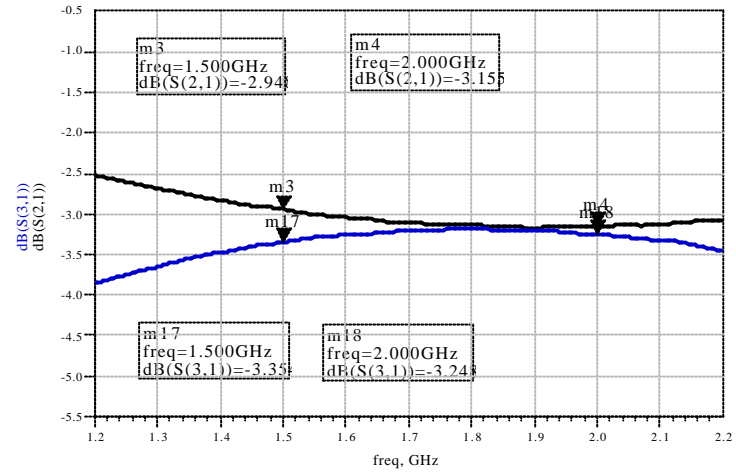
## Specifications

Frequency Range(GHz)	Insertion Loss	Phase Imbalance	Return Loss	Isolation	Handling Power	Temperature Range
1.5-2.0	3.9dB Max. including splitting Loss	90 +/- 5deg.	17dB Min.	17dB Min.	5W Max.	-35 to +85 deg.C

"All the technical data and information contained herein are subject to change without notice."

# FSLC-C160W Sample Data

P/N	FSLC-C160W	DATE.	June/2/2004
DWN.	Y.Tanaka	DATA-No.	LC-FSLC-C160W-0406A



Hitachi Metals, Ltd.

P/N	FSLC-C160W	DATE.	June/2/2004
DWN.	Y.Tanaka	DATA-No.	LC-FSLC-C160W-0406A

# Foot Pattern

