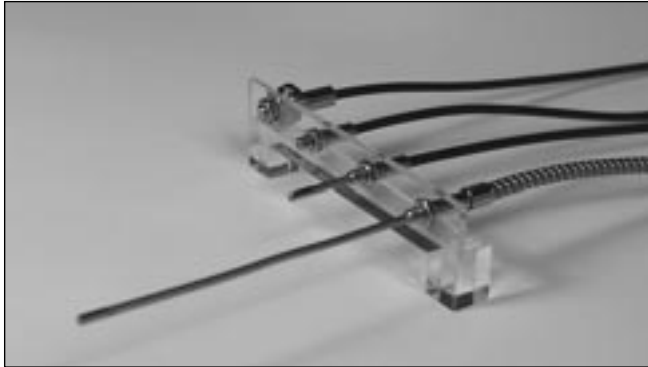


# Photoelectrics Fibre Optics, Glass Types FGT, FGD

CARLO GAVAZZI



- Fibre diameter  $\varnothing 1$  mm (400 x 50  $\mu\text{m}$ )
- Temperature range from  $-25^{\circ}\text{C}$  up to  $200^{\circ}\text{C}$
- Bending radius 10, 20 or 30 mm
- Sheath material PVC/thermo polyolefine, metallic spiral/polyolefine or flexible INOX

## Type Selection

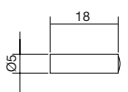
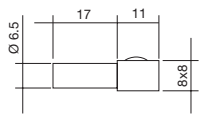
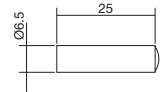
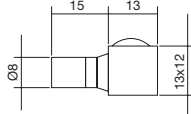
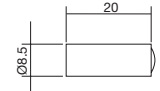
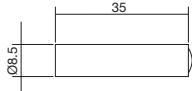
Length [cm]	Distance <sup>1)</sup> [mm]	Dimensions [mm]	Standard glass Ordering no.	Reinforced metal Ordering no.	High temperature Ordering no.
60 100 150 200	200 200 200 200		<b>FGT 01 SCM 060</b> <b>FGT 01 SCM 100</b> <b>FGT 01 SCM 150</b> <b>FGT 01 SCM 200</b>	<b>FGT 01 MCM 060</b> <b>FGT 01 MCM 100</b> <b>FGT 01 MCM 150</b> <b>FGT 01 MCM 200</b>	<b>FGT 01 TCM 060</b> <b>FGT 01 TCM 100</b> <b>FGT 01 TCM 150</b> <b>FGT 01 TCM 200</b>
60 100 150 200	80 80 80 80		<b>FGD 02 SCM 060</b> <b>FGD 02 SCM 100</b> <b>FGD 02 SCM 150</b> <b>FGD 02 SCM 200</b>	<b>FGD 02 MCM 060</b> <b>FGD 02 MCM 100</b> <b>FGD 02 MCM 150</b> <b>FGD 02 MCM 200</b>	<b>FGD 02 TCM 060</b> <b>FGD 02 TCM 100</b> <b>FGD 02 TCM 150</b> <b>FGD 02 TCM 200</b>
60 100	200 200		<b>FGT 03 SCM 060</b>		<b>FGT 03 TCM 100</b>
60 100 150 200	80 80 80 80		<b>FGD 04 SCM 060</b> <b>FGD 04 SCM 100</b> <b>FGD 04 SCM 150</b>	<b>FGD 04 MCM 060</b> <b>FGD 04 MCM 100</b> <b>FGD 04 MCM 150</b>	<b>FGD 04 TCM 060</b> <b>FGD 04 TCM 100</b>  <b>FGD 04 TCM 200</b>
60	200		<b>FGT 05 SCM 060</b>		
60 100 200	80 80 80		<b>FGD 06 SCM 060</b> <b>FGD 06 SCM 100</b> <b>FGD 06 SCM 200</b>	<b>FGD 06 MCM 060</b> <b>FGD 06 MCM 100</b>	<b>FGD 06 TCM 100</b> <b>FGD 06 TCM 200</b>
60 100 150 200	80 80 80 80		<b>FGD 07 SCM 060</b> <b>FGD 07 SCM 100</b> <b>FGD 07 SCM 150</b> <b>FGD 07 SCM 200</b>	<b>FGD 07 MCM 060</b> <b>FGD 07 MCM 100</b> <b>FGD 07 MCM 150</b>	<b>FGD 07 TCM 060</b> <b>FGD 07 TCM 100</b> <b>FGD 07 TCM 150</b> <b>FGD 07 TCM 200</b>
60 100 150 200	200 200 200 200		<b>FGT 07 SCM 060</b> <b>FGT 07 SCM 100</b> <b>FGT 07 SCM 150</b>	<b>FGT 07 MCM 060</b> <b>FGT 07 MCM 100</b> <b>FGT 07 MCM 150</b> <b>FGT 07 MCM 200</b>	<b>FGT 07 TCM 060</b> <b>FGT 07 TCM 100</b>  <b>FGT 07 TCM 200</b>

<sup>1)</sup> Sensing distance given for a fibre length up to 1 m.

## General Specifications

<b>Bending radius</b> FG...SCM...: 10 mm FG...MCM...: 20 mm FG...TCM...: 30 mm	<b>Sheath material</b> FG...SCM...: PVD and thermo polyolefine FG...MCM...: Metallic spiral and polyolefine FG...TCM...: Flexible INOX
<b>Temperature range</b> FG...SCM...: -25 to +60°C (-13 to +140°F) FG...MCM...: -25 to +120°C (-13 to +248°F) FG...TCM...: -25 to +200°C (-13 to +392°F)	<b>Fibre</b> Diameter: Ø1 mm, 400 x 50 µm Attenuation vs. length (@ 4 m): Through beam: ≤ 20% Diffuse: ≤ 35% Attenuation vs. bending radius: r = 15 mm: ≤ 3% r = 10 mm: ≤ 15%

## Accessories - Lenses for FGT 01.. Fibre Optic

<b>AFGT 03</b> Sensing range: 800 mm 	<b>AFGT 04</b> Sensing range: 800 mm 	<b>AFGD 05</b> Focus point: 10 mm 	<b>AFGT 06</b> Sensing range: 3000 mm 
<b>AFGT 07</b> Sensing range: 3000 mm 	<b>AFGD 08</b> Focus point: 30 mm 		

## Ordering Key

**FGT 01 SCS 200**

**Optic Fibre** \_\_\_\_\_  
**Fibre material** \_\_\_\_\_  
 G Glass  
**Fibre type** \_\_\_\_\_  
 D Diffuse  
 T Through-beam  
**Sensor head 01-99** \_\_\_\_\_  
 Forthrunning type number  
**Sheath material** \_\_\_\_\_  
 S Standard glass, PVC and thermo polyolefine  
 M Metallic spiral and polyolefine  
 T Flexible INOX  
**Fibre diameter** \_\_\_\_\_  
 C 1.0 mm  
**Core condition** \_\_\_\_\_  
 M Multicore  
**Fibre length 001-999** \_\_\_\_\_  
 cm 1 cm to 9.9 m