

FBR5000W - FBR5010W

FAST RECOVERY BRIDGE RECTIFIERS

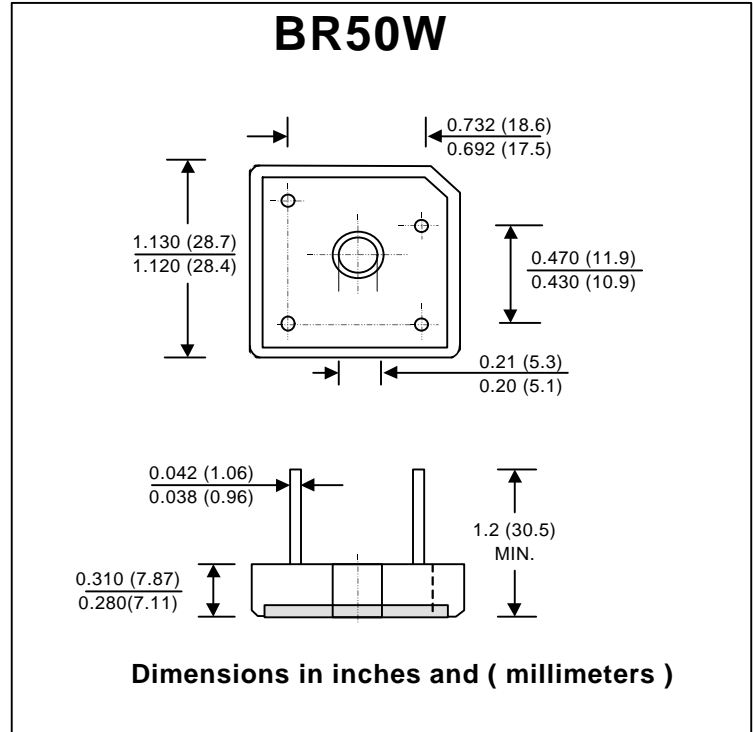
PRV : 50 - 1000 Volts
I_o : 50 Amperes

FEATURES :

- * High case dielectric strength
- * High surge current capability
- * High reliability
- * Low reverse current
- * Low forward voltage drop
- * Fast switching for high efficiency

MECHANICAL DATA :

- * Case : Molded plastic with heatsink integrally mounted in the bridge encapsulation
- * Epoxy : UL94V-O rate flame retardant
- * Terminals : Plated lead solderable per MIL-STD-202, Method 208 guaranteed
- * Polarity : Polarity symbols marked on case
- * Mounting position : Bolt down on heat-sink with silicone thermal compound between bridge and mounting surface for maximum heat transfer efficiency
- * Weight : 15.95 grams



MAXIMUM RATINGS AND ELECTRICAL CHARACTERISTICS

Rating at 25 °C ambient temperature unless otherwise specified.
Single phase, half wave, 60 Hz, resistive or inductive load.
For capacitive load, derate current by 20%.

RATING	SYMBOL	FBR 5000W	FBR 5001W	FBR 5002W	FBR 5004W	FBR 5006W	FBR 5008W	FBR 5010W	UNIT
Maximum Recurrent Peak Reverse Voltage	V _{RRM}	50	100	200	400	600	800	1000	V
Maximum RMS Voltage	V _{RMS}	35	70	140	280	420	560	700	V
Maximum DC Blocking Voltage	V _{DC}	50	100	200	400	600	800	1000	V
Maximum Average Forward Current T _c = 55 °C	I _{F(AV)}	50							A
Peak Forward Surge Current Single half sine wave Superimposed on rated load (JEDEC Method)	I _{FSM}	400							A
Current Squared Time at t < 8.3 ms.	I ² t	664							A ² S
Maximum Forward Voltage drop per Diode at I _F = 25 A	V _F	1.3							V
Maximum DC Reverse Current Ta = 25 °C at Rated DC Blocking Voltage Ta = 100 °C	I _R	10							μA
	I _{R(H)}	1.0							mA
Maximum Reverse Recovery Time (Note 1)	T _{rr}	200			300		500		ns
Typical Thermal Resistance per diode (Note 2)	R _{θJC}	1							°C/W
Operating Junction Temperature Range	T _J	- 50 to + 150							°C
Storage Temperature Range	T _{STG}	- 50 to + 150							°C

Notes :

- 1) Measured with I_F = 0.5 Amp., I_R = 1 Amp., I_{rr} = 0.25 Amp.
- 2) Thermal resistance from Junction to Case with units mounted on a 9"x5"x4.6" (22.9x12.7x11.7 cm) Al-Finned Heatsink.

RATING AND CHARACTERISTIC CURVES (FBR5000W - FBR5010W)

FIG.1 - REVERSE RECOVERY TIME CHARACTERISTIC AND TEST CIRCUIT DIAGRAM

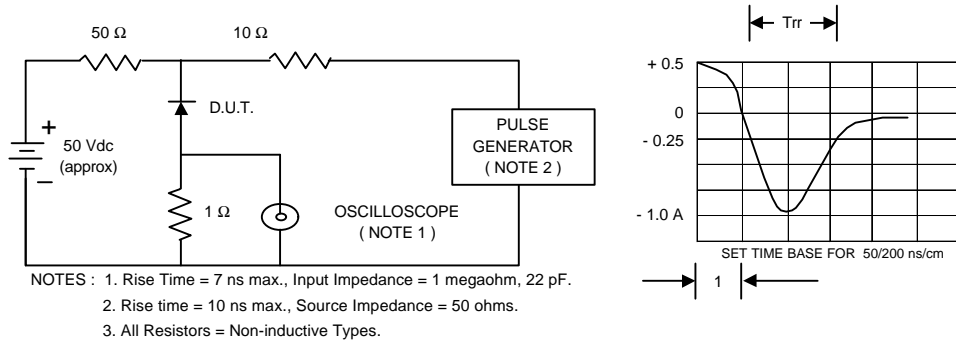


FIG.2 - DERATING CURVE FOR OUTPUT RECTIFIED CURRENT

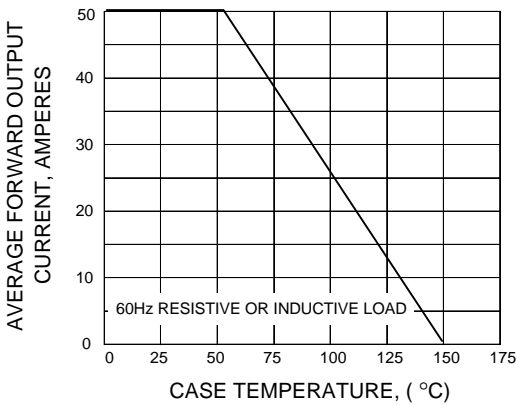


FIG.3 - MAXIMUM NON-REPETITIVE PEAK FORWARD SURGE CURRENT

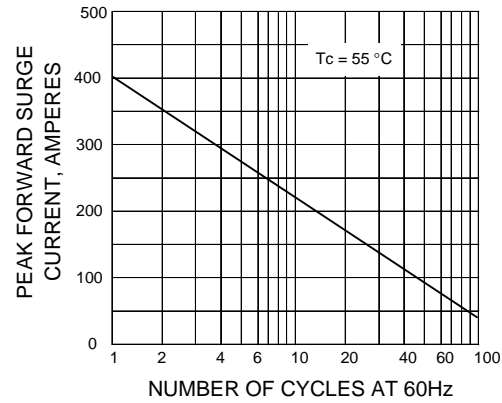


FIG.4 - TYPICAL FORWARD CHARACTERISTICS PER DIODE

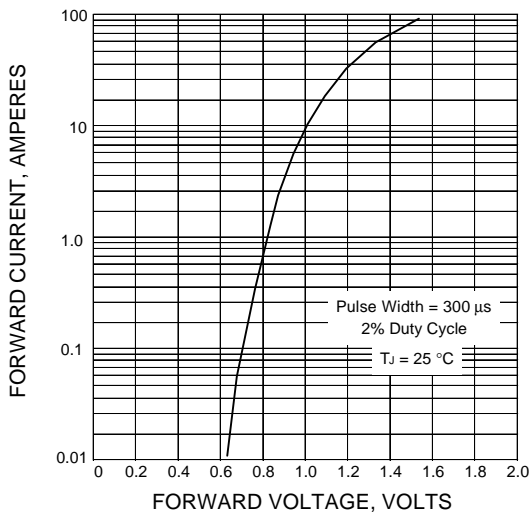


FIG.5 - TYPICAL REVERSE CHARACTERISTICS PER DIODE

