

E-Series RF 1:1 Transformer
1710 – 1910 MHz

ETC1-1-10
V1

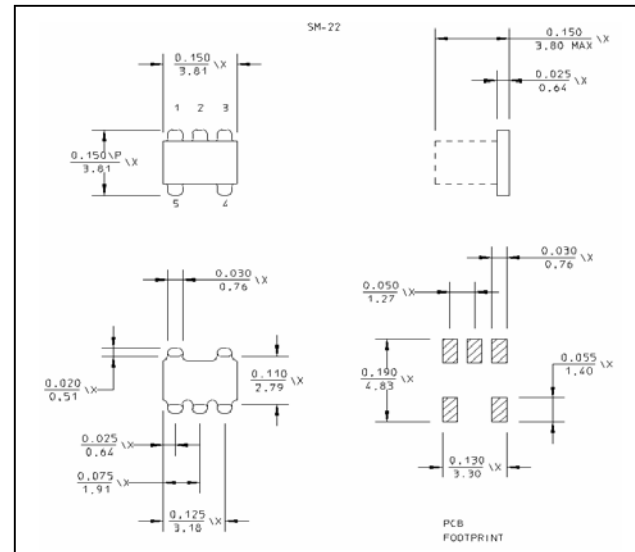
Features

- 1:1 Impedance Ratio
- Surface Mount
- Tape and reel packaging available

Description

M/A-COM's ETC1-1-10 is a 1:1 RF transmission line transformer in a low cost, surface mount package. Ideally suited for high volume cellular and wireless applications. Parts are packaged in tape & reel.

SM - 22 Package



Electrical Specifications: $T_A = 25^\circ\text{C}$, $Z_0 = 50\Omega$ ¹

Parameter	Test Conditions	Frequency	Units	Min	Typ	Max
RF Frequency	—	1710 - 1910	MHz	—	—	—
Insertion Loss	$F_L - f_U$	1710 - 1910	dB	—	—	2.0
Amplitude Unbalance	—	1710 - 1910	dB	—	—	2.0
Phase Unbalance	—	1710 - 1910	Degrees	—	—	10°

Absolute Maximum Ratings¹

Parameter	Absolute Maximum
DC Power	250 mW
DC Current	30 mA
Operating Temperature	-40°C to +85°C
Storage Temperature	-55°C to +125°C

1. Operation of this device above any one of these parameters may cause permanent damage.

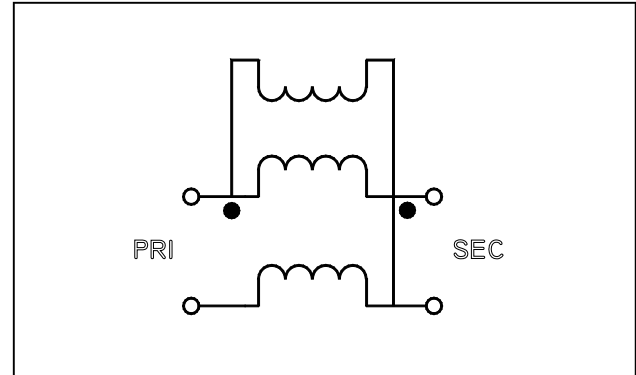
Ordering Information

Part Number	Package
ETC1-1-10TR	Tape and Reel (2000 piece Reel)

Pin Configuration

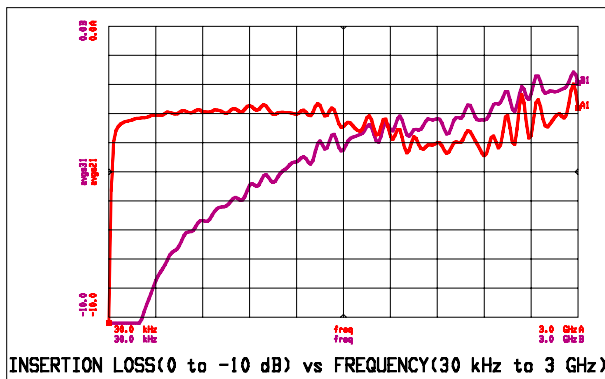
Pin No.	Function
1	Secondary Dot
2	Not Connected
3	Secondary
4	Primary
5	Primary Dot

Schematic

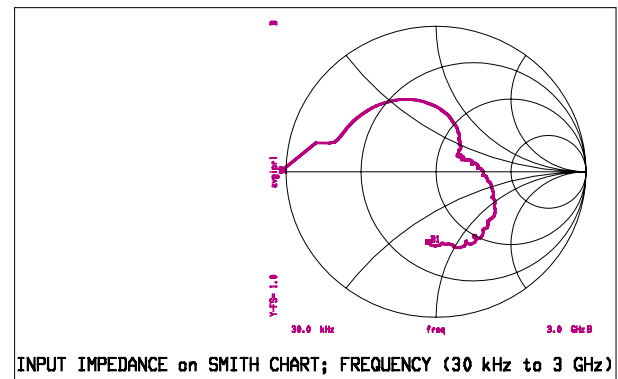


Typical Performance Curves

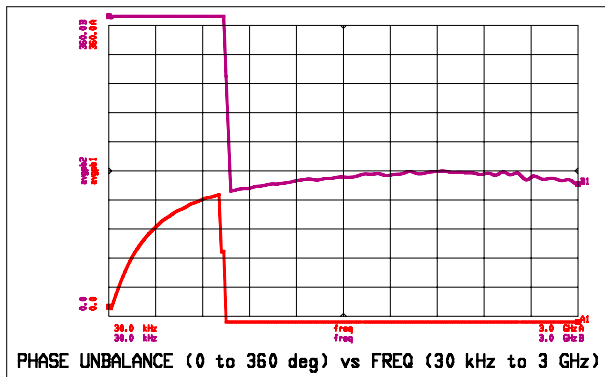
Insertion Loss



Input Impedance



Phase Unbalance



Amplitude Unbalance

