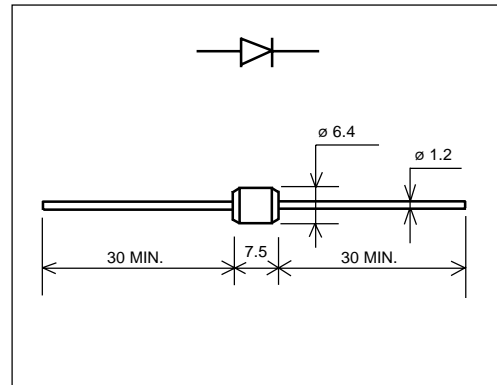


ERC01(F) (1.8A)

(200V to 400V / 1.8A)

GENERAL USE RECTIFIER DIODE

■ Outline drawings, mm



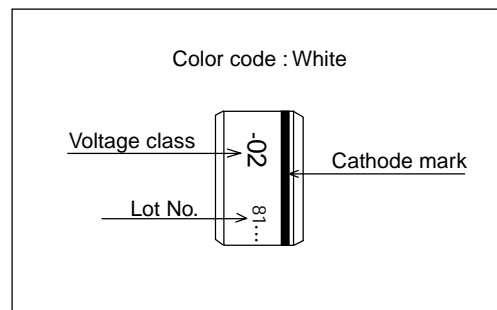
■ Features

- Large current
- High reliability

■ Applications

- General purpose rectifier applications

■ Marking



■ Maximum ratings and characteristics

- Absolute maximum ratings

Item	Symbol	Conditions	Rating		Unit
			-02F	-04F	
Repetitive peak reverse voltage	V_{RRM}		200	400	V
Average forward current	$I_{F(AV)}$	Resistive load $T_a=40^{\circ}C$	1.8(3.0*)		A
Surge current	I_{FSM}	Sine wave 10ms	130		A
Operating junction temperature	T_j		-40 to +140		$^{\circ}C$
Storage temperature	T_{stg}		-40 to +140		$^{\circ}C$

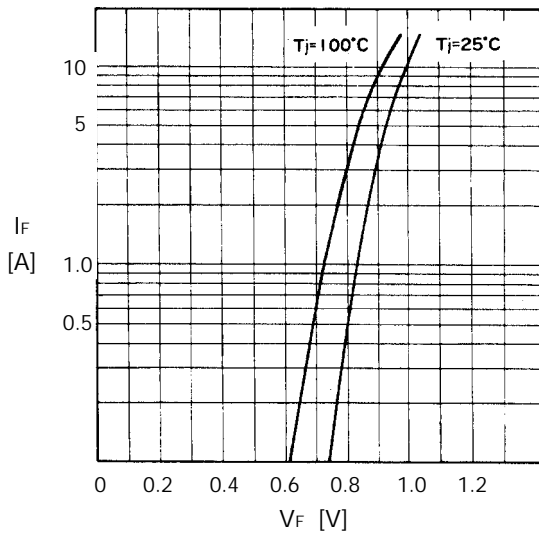
* With cooling Cu fin both lead (1t x 20 x 20)

- Electrical characteristics ($T_a=25^{\circ}C$ Unless otherwise specified)

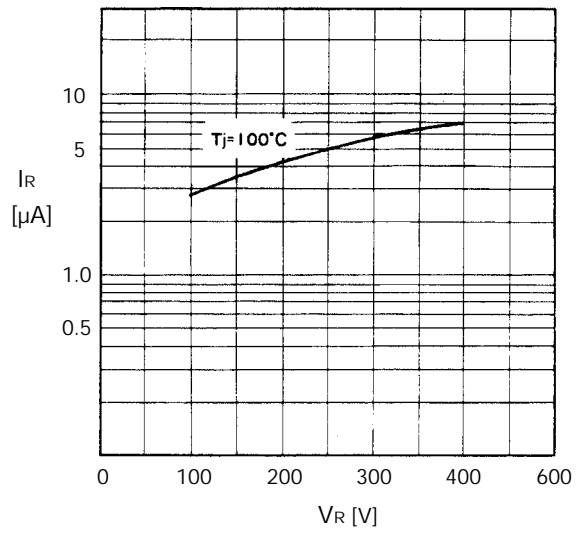
Item	Symbol	Conditions	Max.	Unit
Forward voltage drop	V_{FM}	$T_j=25^{\circ}C$ $I_{FM}=4.0A$	1.1	V
Reverse current	I_{RRM}	$T_j=25^{\circ}C$ $V_R=V_{RRM}$	10	μA

■ Characteristics

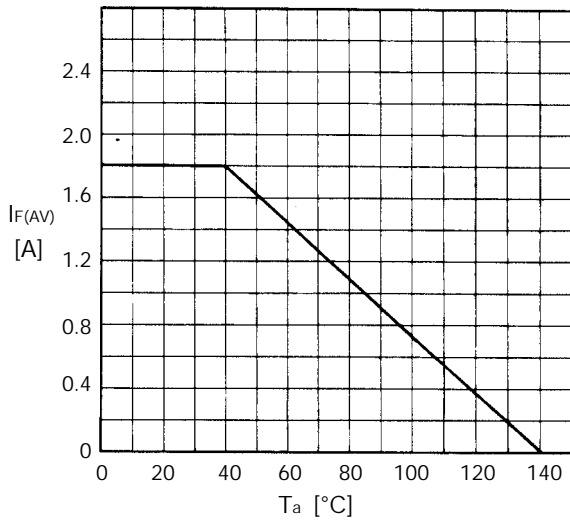
Forward characteristics



Reverse characteristics



Current derating ($I_{F(AV)} - T_a$)



Surge capability

