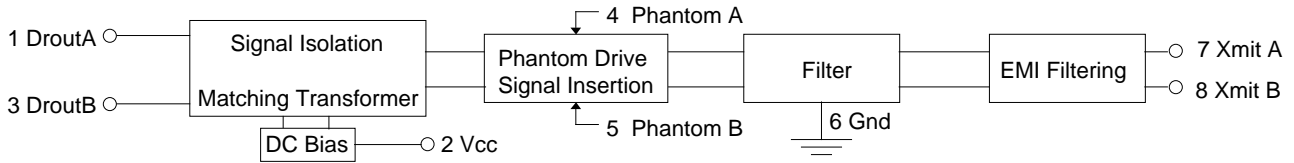


Euro-Optimized Token Ring 16 Pin SMD Line Transceiver Module

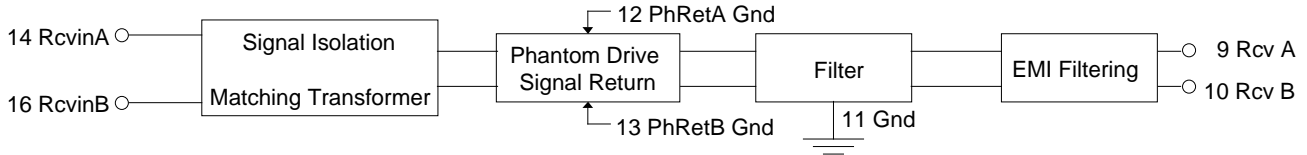
Electrical Specifications @ 25°C

PCA Part Number				EPT7020				
Characteristic Impedance		Supports both STP and UTP Transmission						
Insertion Loss	12 KHz	16 MHz	24 MHz	32 MHz	Return Loss	1-5 MHz	10-16 MHz	24 MHz
	-3.0 dB Max.	-0.8 dB Max.	-1.7 dB Max.	-7.0 dB Min.		-20 dB Min.	-15 dB Min.	-8 dB Min.
Common to Common Mode Rejection	100 KHz	20 MHz	200 MHz		Common to Differential Rejection	100 KHz	10 MHz	100 MHz
	-65 dB Min.	-30 dB Min.	-20 dB Min.			-70 dB Min.	-55 dB Min.	-25 dB Min.

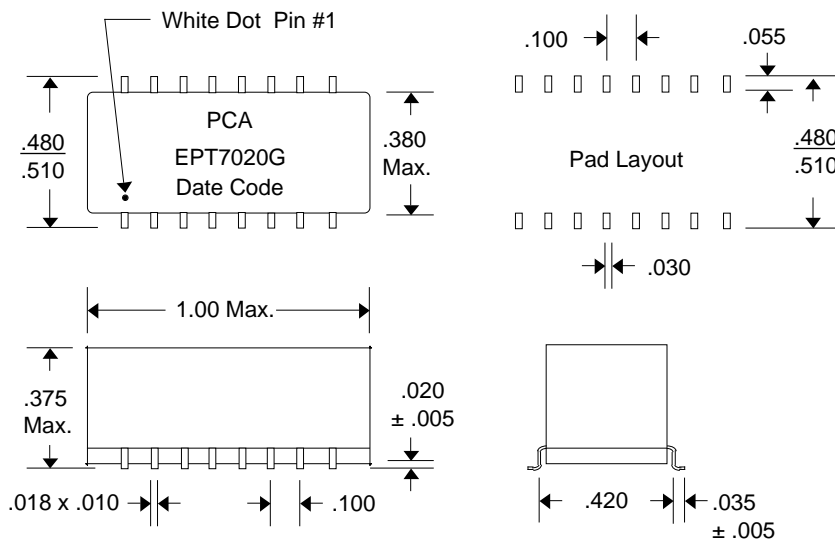
Block Diagram for Transmit Interface Unit



Block Diagram for Receiver Interface Unit



SMD Package



DST7020 12/6/94

QAF-CS07 8/10/94

Unless Otherwise Noted Dimensions in Inches

Tolerances:
 Fractional = ± 1/32
 .XX = ± .030 .XXX = ± .010



16799 SCHOENBORN ST.
 NORTH HILLS, CA 91343
 TEL: (818) 892-0761
 FAX: (818) 894-5791