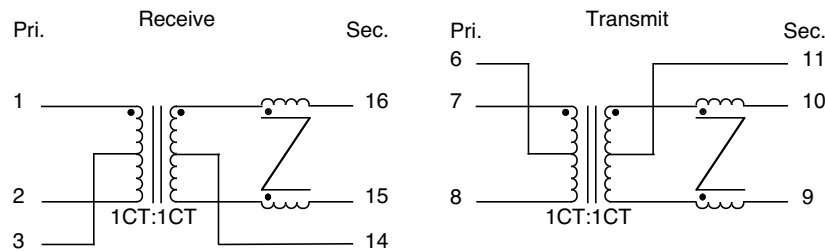


- Complies with or exceeds IEEE 802.3, 10Base-T Standards
- Robust design allows for toughest soldering processes
- 1500 Vrms Isolation

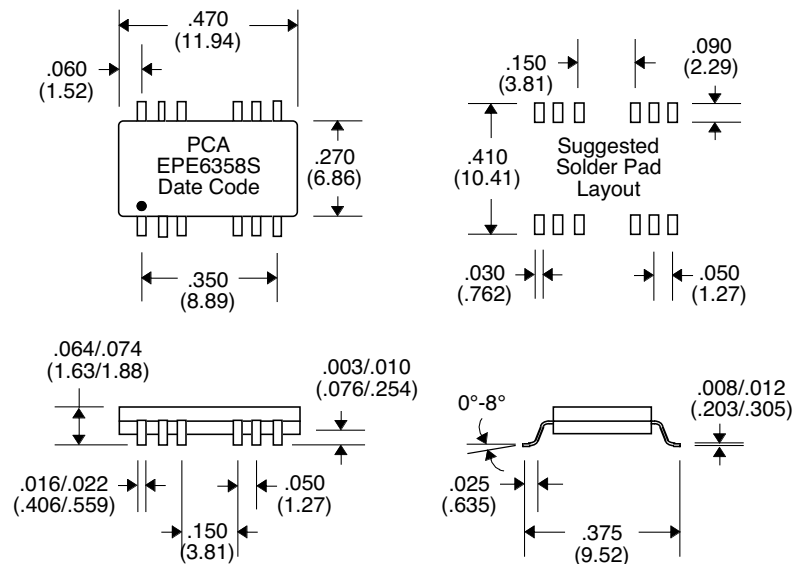
### Electrical Parameters @ 25° C

OCL ( $\mu$ H Min.) Pins 16-15 & 11-10		Interwinding Capacitance (pF Max.) @ 100 KHz, 0.1 Vrms	Primary Leakage Inductance ( $\mu$ H Max.) @ 100 KHz, 0.1 Vrms		Return Loss (dB Min.) 5MHz-10MHz	Primary DCR ( $\Omega$ Max.)	
Xmit	Rcv		Xmit	Rcv			
200	200	12	0.3	0.3	-15	0.35	0.35

### Schematic



### Package



Unless Otherwise Specified Dimensions are in Inches /mm  $\pm .010 / .25$