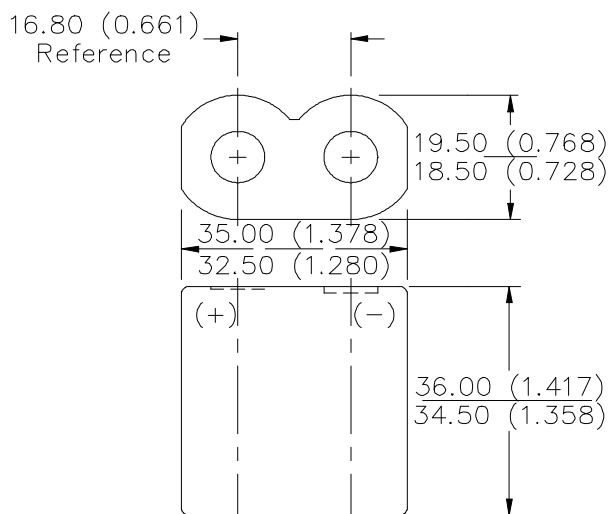


## ENERGIZER NO. 223 (EL223)



### Industry Standard Dimensions in mm (inches)



THIS BATTERY HAS UNDERWRITERS LABORATORIES COMPONENT RECOGNITION

**Chemical System:** Lithium  
Lithium/Manganese Dioxide (Li/MnO<sub>2</sub>)

**Designation:** ANSI / NEDA-5024LC, IEC-CP-P2  
**Battery Voltage:** 6.0 Volts  
**Average Weight:** 37.0 grams (1.3 oz.)  
**Volume:** 23.8 cubic centimeters (1.4 cubic inch)  
**Average Capacity:** 1400 mAh to 4.0 volts  
(Rated Capacity at 200 ohms at 21°C)

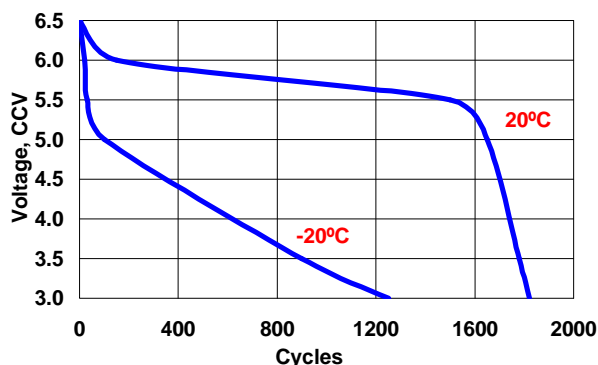
**Maximum Reverse Charge Current:** 2 microampere  
**Max Discharge:** 1500 mA continuous - 3500 mA pulse  
**Cells:** Two 2/3A

This battery Contains a Positive Temperature Coefficient (PTC) Device to Limit Current Flow

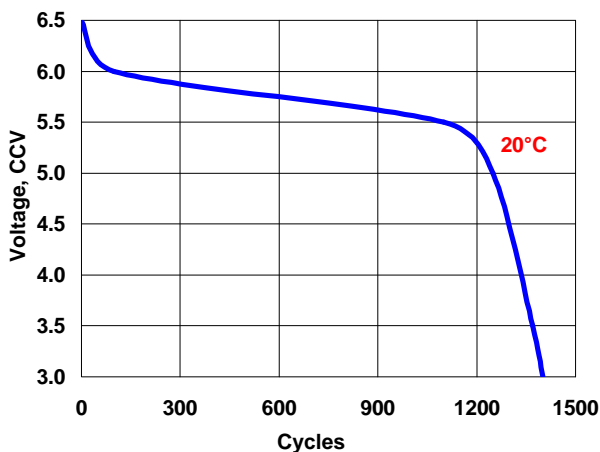
### Simulated Application Test Estimated Average Service at 21°C (70°F)

Schedule:	Typical Drains (mA)	Load (ohms)	Cutoff Voltage		
			4.0 V Hours	3.1 V Cycles	2.6 V Cycles
24 hours/day	-	200	54.1	-	-
24 hours/day	1000	-	1.4	-	-
3 sec ON / 7 sec OFF	900	-	-	-	1425
3 sec ON / 27 sec OFF	1200	-	-	1800	-

### Typical Discharge Characteristics Schedule: 3 sec ON / 27 sec OFF Typical Drain: 900 milliamperes



### Typical Discharge Characteristics Schedule: 3 sec ON / 7 sec OFF Typical Drain: 1200 milliamperes



### Important Notice

This data sheet contains information specific to batteries manufactured at the time of its publication.

**Contents herein do not constitute a warranty.**

Copyright © Eveready Battery Co. Inc. - All Rights Reserved