

EE06 Series

Small Size Transmitter for Humidity and Temperature

EE06 series are compact transmitters for humidity, and combined humidity/temperature measurement with excellent price / performance ratio.

They are optimised for OEM applications and available with or without housing. With appropriate filter cap EE06 can operate successfully even in harsh environments. The analogue output for both humidity and temperature is 0-1 V.

The temperature output signal can be active or passive. The very small dimensions, low energy consumption and supply voltages down to 4.5 V allow cost-effective and easy positioning of the transmitters.



EE06

Typical Applications

humidifiers and dehumidifiers
 climate controls in museums, hotels
 monitoring of storage rooms
 photostatic machines control
 meteorological applications

Features

very small dimensions
 excellent price-performance-ratio
 long term stability
 easy installation
 low energy consumption

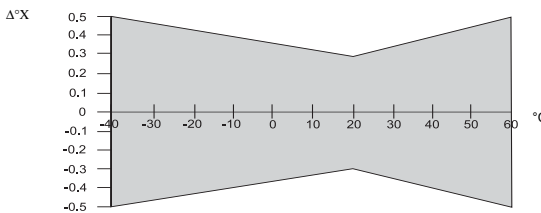
Technical Data

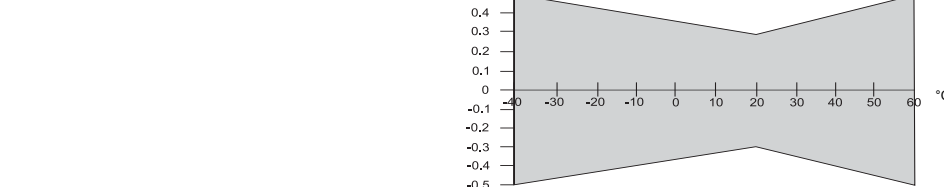
Measuring values

Relative humidity

| | | | | |
|---------------------------------|---------------------|---|---------|-------------|
| Sensor | HC101 | | | |
| Output appropriate 0...100% RH | 0-1 V | -0.2 mA < I _L < 0.2 mA | | |
| Working range | model A | 0...100% RH | model C | 0...100% RH |
| | model B | 0...95% RH | | |
| Accuracy at 20°C (68°F), 12V DC | ±3% RH (0...95% RH) | | | |
| Temperature dependence | model F/FT | d RH = -0.00035 x RH x (T-20°C) | | |
| | model FP | d RH = typ. (-0.003 x RH + 0.01) x (T-20°C) | | |

Temperature (active output)

| | | | |
|---|--|-----------------------------------|--|
| Sensor | Pt1000 (class A, DIN EN 60751) | | |
| Output appropriate -40...60°C (-40...140°F) | 0-1 V | -0.2 mA < I _L < 0.2 mA | |
| Accuracy at 12V DC |  | | |



Temperature (passive output)

| | |
|------------------|---------------------------|
| Type of T-Sensor | please see ordering guide |
|------------------|---------------------------|

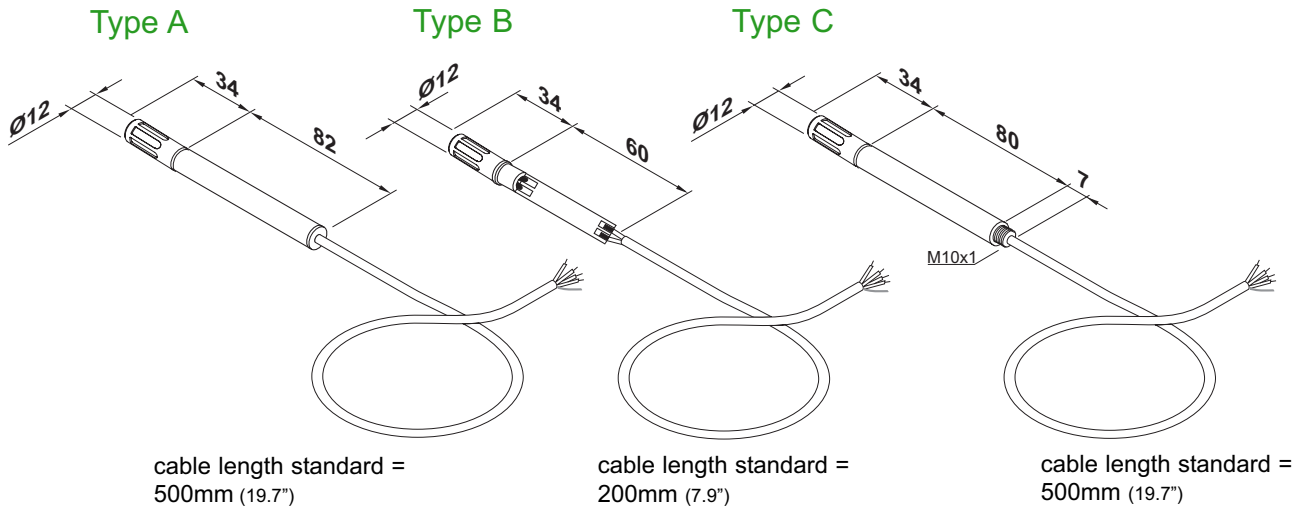
General

| | | |
|-------------------------------|--|-----------------|
| Supply voltage | 4.5V DC - 30V DC | |
| Current consumption | typ. 1.5 mA | |
| Housing | Polycarbonat / IP65 (Model A) in vertical mounting (filter cap upside) | |
| Sensor protection | membrane filter, plastic grid, metal grid filter | |
| Electromagnetic compatibility | EN 61000-6-3 | EN 61000-6-1 |
| | FCC Part15 ClassB | ICES-003 ClassB |
| Temperature range | working temperature: -40...60°C (-40...140°F) | |
| | storage temperature: -40...65°C (-40...149°F) | |

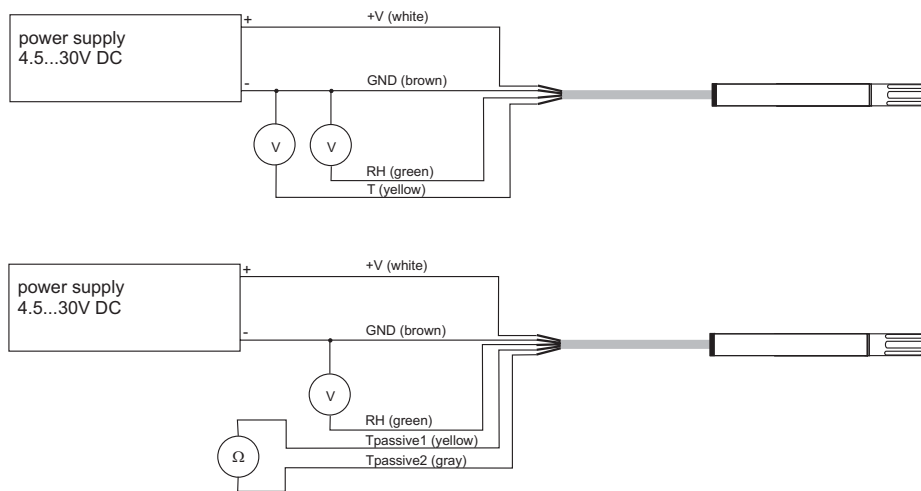


Housing dimensions (mm)

1 mm = 0.03937" / 1" = 25.4 mm



Connection Diagram



Ordering Guide

| MODEL | OUTPUT | T-SENSOR (only passive) | TYPE | FILTER | CABLE LENGTH (Type A + C) |
|---------------------------------------|-------------|----------------------------|---------------------|-----------------------|------------------------------|
| humidity and temperature (FT) | 0 - 1 V (1) | Pt 100 DIN A (A) | with housing (A) | membrane filter (1) | 0.5m (1.6ft) (no code) |
| humidity (F) | | Pt 100 DIN B (B) | without housing (B) | plastic grid (4) | 1.5m (4.9ft) (K150) |
| humidity and temperature passive (FP) | | Pt 1000 DIN A (C) | with thread (C) | metal grid filter (6) | 3m (9.8ft) (K300) |
| | | Pt 1000 DIN B (D) | | | 5m (16.4ft) (K500) |
| | | NTC 10K at 25°C (E) | | | 10m (32.8ft) (K1000) |
| EE06- | | | | | |

Accessories

- radiation shield (for more information please refer to data sheet "Accessories") (HA010502)

Order Example

EE06-FT1A1-K300

model:
 output:
 housing:
 filter:
 cable length

humidity and temperature
 0-1 V
 with housing
 membrane filter
 3m (9.8ft)