

ALTERNATOR DIODE FOR AUTOMOTIVE APPLICATION.

### FEATURES

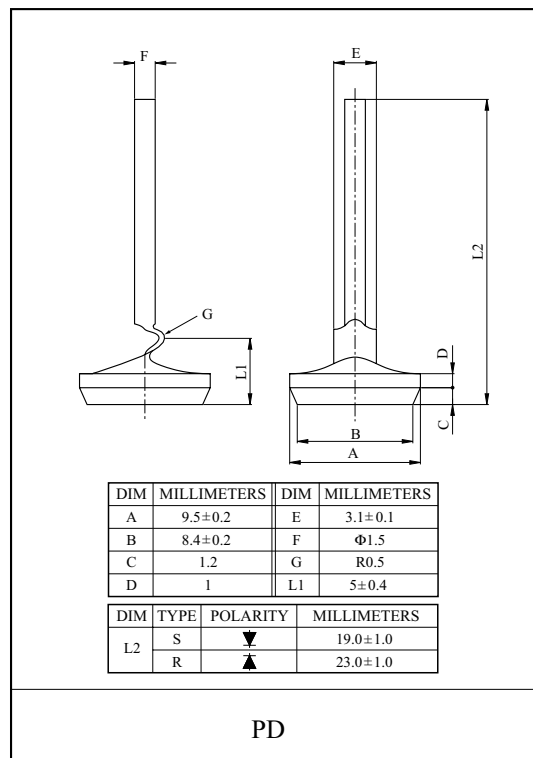
- Average Forward Current :  $I_O=30A$ .
- Reverse Voltage : 200V(Min)

### POLARITY

E30A2CDS E30A2CDR  
(+ Type) (- Type)

### MAXIMUM RATING ( $T_a=25^\circ C$ )

CHARACTERISTIC	SYMBOL	RATING	UNIT
Repetitive Peak Reverse Voltage	$V_{RRM}$	200	V
Average Forward Current	$I_{F(AV)}$	30	A
Peak 1 Cycle Surge Current	$I_{FSM}$	300 (10ms Condition)	A
Junction Temperature	$T_j$	-40 ~ 200	$^\circ C$
Storage Temperature Range	$T_{stg}$	-40 ~ 200	$^\circ C$



### ELECTRICAL CHARACTERISTICS ( $T_a=25^\circ C$ )

CHARACTERISTIC	SYMBOL	TEST CONDITION	MIN.	TYP.	MAX.	UNIT
Peak Forward Voltage	$V_{FM}$	$I_{FM}=100A$	-	-	1.20	V
Reverse Voltage	$V_{RM}$	$I_R=5mA$	200	-	-	V
Repetitive Peak Reverse Current	$I_{RRM}$	$V_R=200V$	-	-	50	$\mu A$
Reverse Recovery Time	$t_{rr}$	$I_F=-I_R 100mA$	-	-	15	$\mu S$
Reverse Leakage Current Under High Temperature	$H_{IR}$	$T_a=150^\circ C, V_R=V_{RM}$	-	-	2.5	mA
Temperature Resistance	$R_{th}$	Junction to case	-	1.0	-	$^\circ C/W$