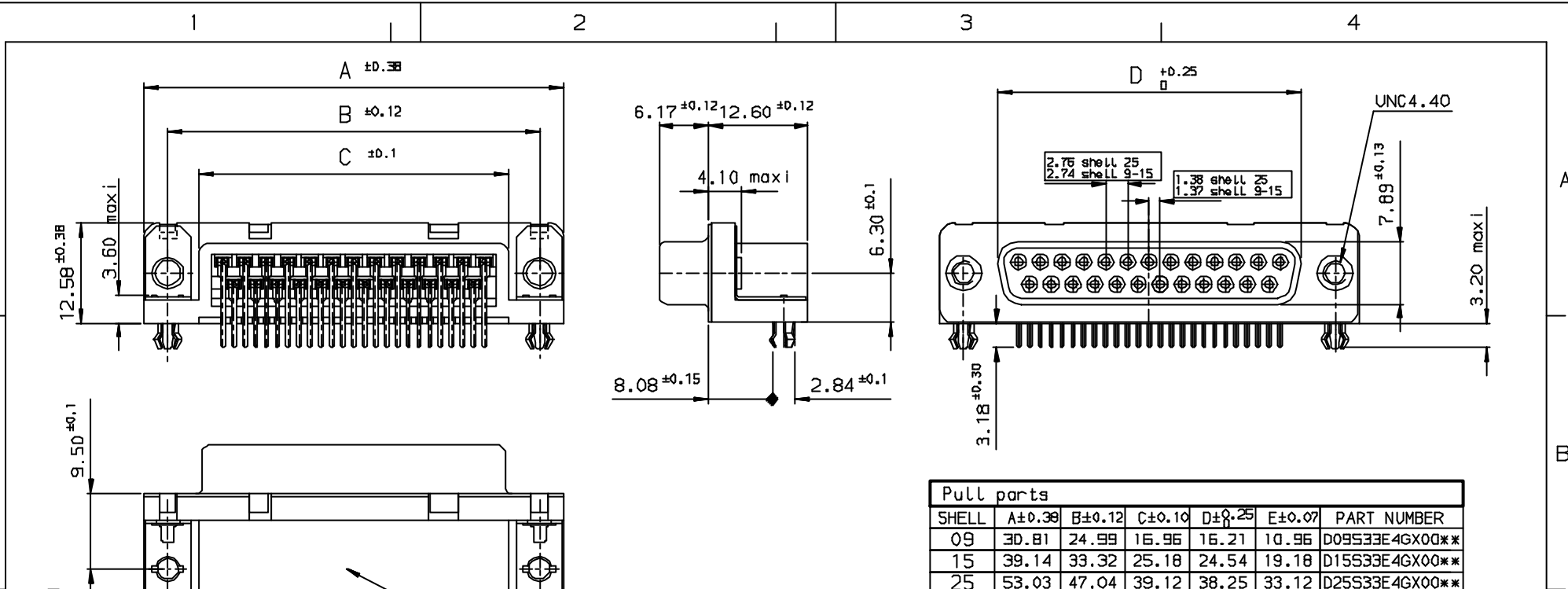


Tous droits strictement réservés. Reproduction ou communication à des tiers interdite sans autorisation écrite de la Direction de la Production. Propriété de FCI. Droits de reproduction FCI.

**FCI**

All rights strictly reserved. Reproduction or communication to third parties in any form without the written authorization of the Production Direction. Property of FCI. Copyright FCI.



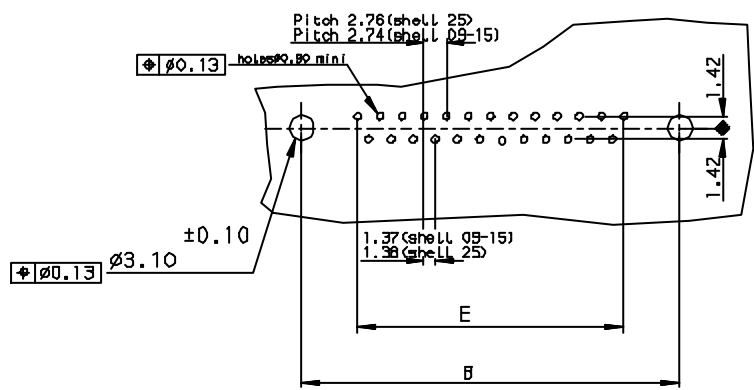
Pull parts						
SHELL	A±0.38	B±0.12	C±0.10	D±0.25	E±0.07	PART NUMBER
09	30.81	24.99	16.96	16.21	10.96	D09S33E4GX00**
15	39.14	33.32	25.18	24.54	19.18	D15S33E4GX00**
25	53.03	47.04	39.12	38.25	33.12	D25S33E4GX00**

GENERAL CHARACTERISTICS & RoHS - SEE DRAWING C01-8545-0000

LF FOR LEAD FREE

Part Number & Date Code Printing

PC card drilling dimensions (after plating)  
(thickness 1.50±0.20mm)



Utr	Eon no	Dr	date
a	105-0124	JS	27/7/05

		✓		Tolerance LINEAR ±0.1 ANGULAR ±1°	Projection 	MM ↔
Dr JOHN SLEEDA	14/10/04	Product Family	D-SUB	Size	A3	Scale
Eng GEORGE VJ	14/10/04	Spec ref		ECN		
Chr GEORGE VJ	27/7/05	Material				
Appr K Somasundaram	27/7/05					
<b>FCI</b> Title SOCKET CONNECT, DELTA D RIGHT ANGLE WITH NUT, HARPOON AND METAL PLATE			Dwg no	C01-8545-0145		Rev.
Catalog no			DELTA-D	CUSTOMER COPY	Sheet 1 of 1	

INDEX	DATE	REVISION DESCRIPTION
0	27/7/05	LEAD FREE DETAILS ADDED