

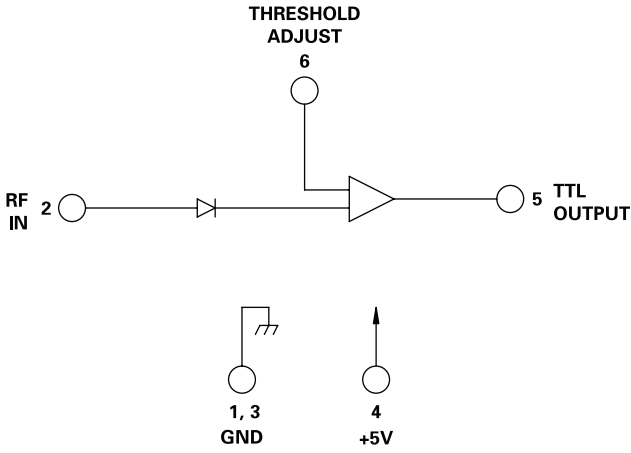
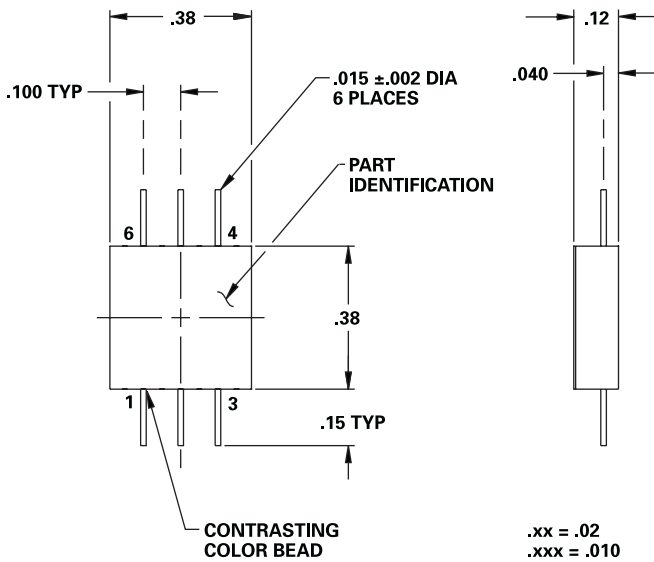
**MODEL NUMBER
DTD08052**

Threshold Detector

FEATURES

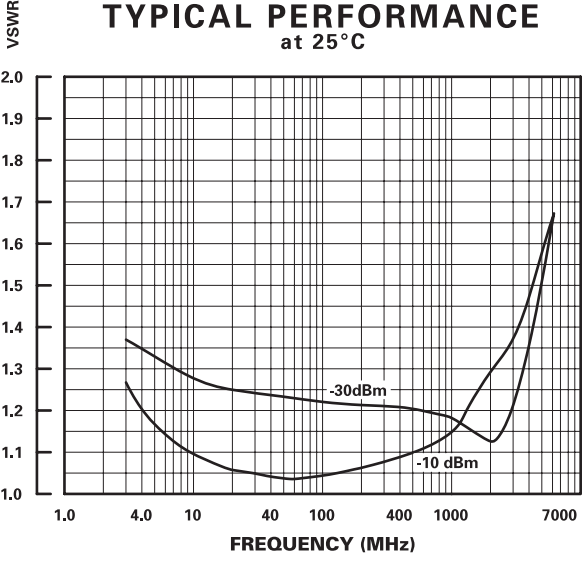
- 10-2000 MHz
- -30 to -10 dBm Dynamic Range
- Adjustable Threshold Level
- 0.9 dB Hysteresis
- 1 mA Sink/Source Current
- Stable Over Temperature
- 6 Pin Surface Mount Package

TD



GUARANTEED PERFORMANCE

**TYPICAL PERFORMANCE
at 25°C**



Parameter	Min	Typ	Max	Units	Conditions
Operating Frequency	10		2000	MHz	
Dynamic Range	-30		-10	dBm	Via an External Resistor Control
Hysteresis		0.9	1.2	dB	
Temperature Stability		±1.1	±1.5	dB	
Input Flatness		±0.6	±1.0	dB	
Response Time		125	300	µSec	-10 to -25 dBm -25 to -30 dBm 50% RF In to 10% / 90% TTL Out
		320	400	µSec	
Input VSWR		1.3/1	2/1		
Output Current:					VOH = +2.7V VOL = +0.5V
	Source	1	26	mA	
	Sink	1	3	mA	
DC Current		1.1	5	mA	At +5 VDC
Operating Temperature	-55	+25	+85	°C	TA

① Response Time for Input Change > 3 dB Above CW Threshold. Output Loading 1 m and 80 pF